



Outperform every day.™

Project:

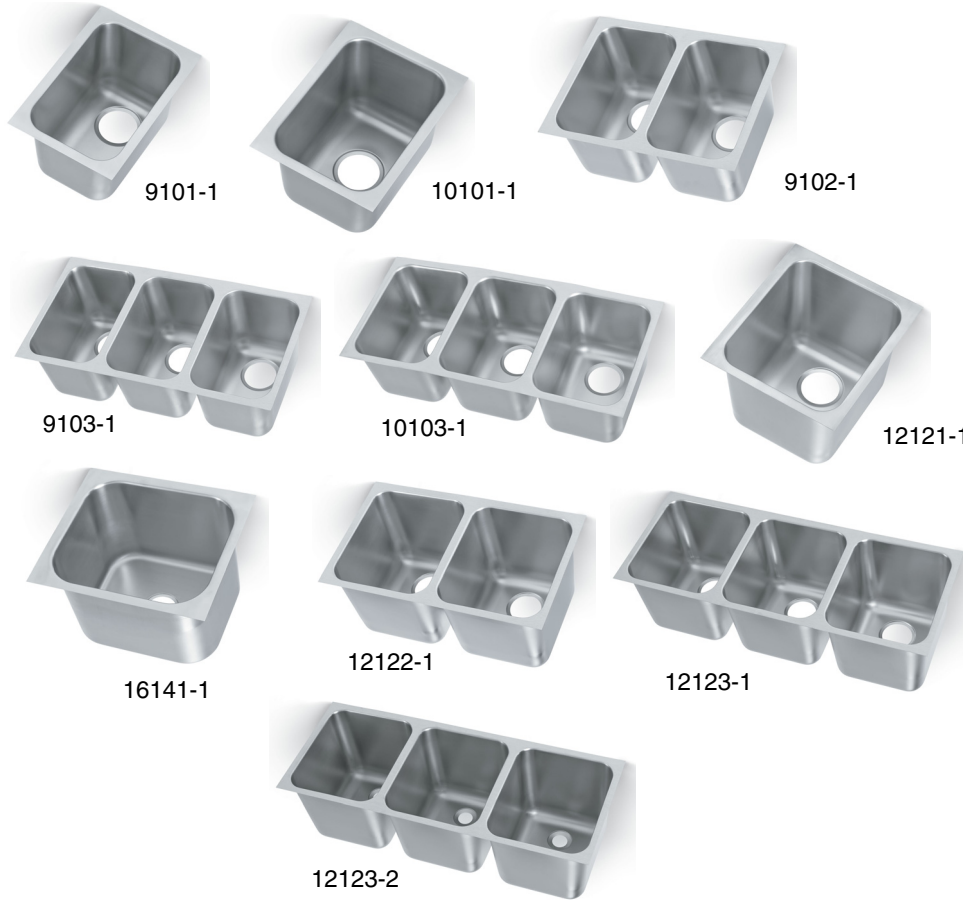
Item Number:

Quantity:

Undermount/Welded-in Sinks

The Vollrath Company, L.L.C.

## UNDERMOUNT/WELDED-IN SINKS



Undermount/Welded-in Sinks

### MODELS

Item	Overall Size
<b>Heavy Weight 20 Gauge</b>	
<b>Single Bowl</b>	
9101-1	11" x 16"
10101-0*	12" x 16"
10101-1	12" x 16"
12101-1	14" x 16"
<b>Double Bowl</b>	
9102-1	21" x 16"
10102-1	23" x 16"
12102-1	27" x 16"
<b>Triple Bowl</b>	
9103-1	31" x 16"
10103-1	34" x 16"
12103-1	40" x 16"
<b>Super Heavy Weight 18 Gauge</b>	
<b>Single Bowl</b>	
12121-1	14" x 16"
16141-1	18" x 21"
<b>Double Bowl</b>	
12122-1	27" x 16"
<b>Triple Bowl</b>	
12123-1	40" x 16"
12123-2	40" x 16"

\*Solid bowl. No drain.

### DESCRIPTION

Vollrath Undermount/Welded-in Sinks are designed and built to withstand vigorous use in professional and commercial kitchens.

### FEATURES

- Available in heavy-weight 20 gauge and extra-heavy weight 18 gauge
- Type 304 stainless steel
- 1 inch flange
- Satin finish bowl with brushed finished flange
- One-piece drawn bowl
- Made in USA

**WARRANTY:** All models shown come with Vollrath's standard warranty against defects in materials and workmanship. For full warranty details, please refer to the Vollrath Equipment and Smallwares Catalog.

Due to continued product improvement, please consult [www.vollrath.com](http://www.vollrath.com) for current product specifications.

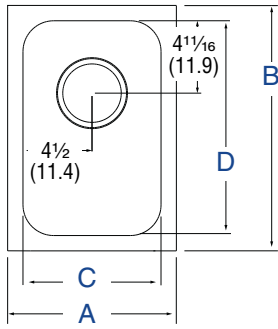
Approvals	Date



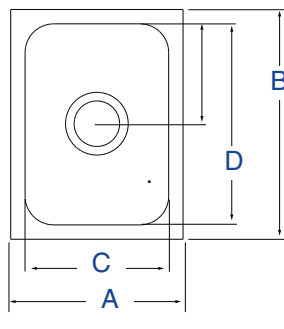
Outperform every day.™  
[www.vollrath.com](http://www.vollrath.com)

The Vollrath Company, L.L.C.  
1236 North 18th Street  
Sheboygan, WI 53081-3201 U.S.A.  
Customer Service: 800.628.0830  
Canada Customer Service: 800.695.8560  
Main Fax: 800.752.5620 or 920.459.6573

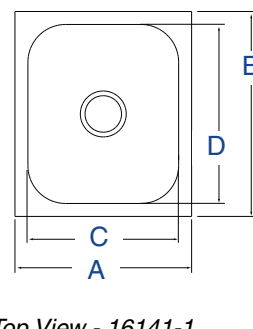
Technical Services: 800.628.0832  
Technical Services Fax: 920.459.5462

**UNDERMOUNT/WELDED-IN SINKS****DIMENSIONS** (inches (cm))**Single Bowl**

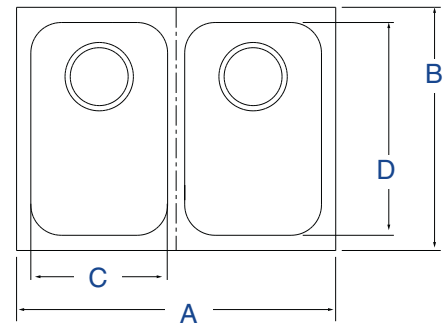
Top View



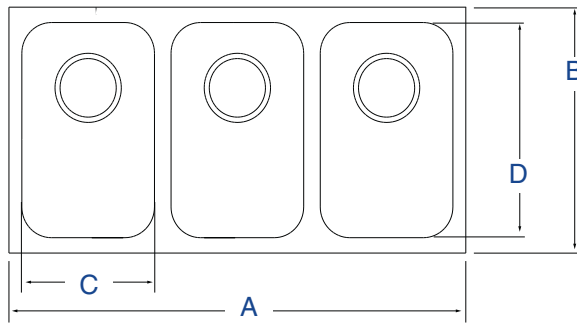
Top View - 10101-1



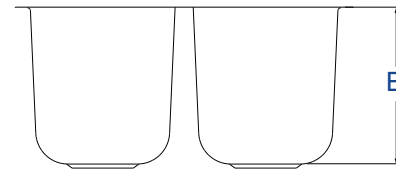
Top View - 16141-1

**Double Bowl**

Top View

**Triple Bowl**

Top View



Front View - All

**SPECIFICATIONS**

Item No.	Number of Bowls	Gauge	Overall Dimensions (A x B)	Bowl Dimensions (C x D)	Bowl Depth (E)	Drain Diameter	Case Lot	Case Weight LB (KG)
9101-1	Single	20	11 x 16 (27.9 x 40.6)	9 x 14 (22.9 x 35.6)	9¼ (23.5)	3½ (8.9)	4	16 (7.3)
10101-0*	Single	20	12 x 16 (30.5 x 40.6)	10 x 14 (25.4 x 35.6)	9¼ (23.5)	3½ (8.9)	4	16 (7.3)
10101-1	Single	20	12 x 16 (30.5 x 40.6)	10 x 14 (25.4 x 35.6)	9¼ (23.5)	3½ (8.9)	4	16 (7.3)
12101-1	Single	20	14 x 16 (35.6 x 40.6)	12 x 14 (30.5 x 35.6)	9¼ (23.5)	3½ (8.9)	2	13 (5.9)
9102-1	Double	20	21 x 16 (53.3 x 40.6)	9 x 14 (22.9 x 35.6)	9¼ (23.5)	3½ (8.9)	1	12 (5.4)
10102-1	Double	20	23 x 16 (58.4 x 40.6)	10 x 14 (25.4 x 35.6)	9¼ (23.5)	3½ (8.9)	1	12 (5.4)
12102-1	Double	20	27 x 16 (68.6 x 40.6)	12 x 14 (30.5 x 35.6)	9¼ (23.5)	3½ (8.9)	1	14 (6.4)
9103-1	Triple	20	31 x 16 (78.7 x 40.6)	9 x 14 (22.9 x 35.6)	9¼ (23.5)	3½ (8.9)	1	17 (7.7)
10103-1	Triple	20	34 x 16 (86.4 x 40.6)	10 x 14 (25.4 x 35.6)	9¼ (23.5)	3½ (8.9)	1	17 (7.7)
12103-1	Triple	20	40 x 16 (101.6 x 40.6)	12 x 14 (30.5 x 35.6)	9¼ (23.5)	3½ (8.9)	1	23 (10.4)
12121-1	Single	18	14 x 16 (35.6 x 40.6)	12 x 14 (30.5 x 35.6)	12 (30.5)	3½ (8.9)	2	13 (5.9)
16141-1	Single	18	18 x 21 (45.7 x 53.3)	16 x 19 (40.6 x 48.3)	14 (35.6)	3½ (8.9)	1	16 (7.3)
12122-1	Double	18	27 x 16 (68.6 x 40.6)	12 x 14 (30.5 x 35.6)	12 (30.5)	3½ (8.9)	1	15.7 (7.1)
12123-1	Triple	18	40 x 16 (101.6 x 40.6)	12 x 14 (30.5 x 35.6)	12 (30.5)	3½ (8.9)	1	25.5 (11.6)
12123-2	Triple	18	40 x 16 (101.6 x 40.6)	12 x 14 (30.5 x 35.6)	12 (30.5)	2 (5.1)	1	28 (12.7)

\* Solid bowl. No drain.



Outperform every day.™

[www.vollrath.com](http://www.vollrath.com)

The Vollrath Company, L.L.C.  
 1236 North 18th Street  
 Sheboygan, WI 53081-3201 U.S.A.  
 Customer Service: 800.628.0830  
 Canada Customer Service: 800.695.8560  
 Main Fax: 800.752.5620 or 920.459.6573

Technical Services: 800.628.0832  
 Technical Services Fax: 920.459.5462