



Outperform every day.™

Project:

Item Number:

Quantity:

VENDING CART SINKS



12065-2



12065-3

Vending Cart Sinks

MODELS

12065-2 Self-Rimming Specialty Sink, Double Bowl

12065-3 Self-Rimming Specialty Sink, Triple Bowl

FEATURES

- Standard weight 22 gauge
- Type 304 stainless steel
- Self-rimming
- Satin finish bowl with brushed finished flange
- Stud mounting with mounting brackets included
- 2" drain
- Sound deadening

DESCRIPTION

Vollrath Vending Cart Sinks are designed and built to withstand vigorous use in professional and commercial kitchens. The smaller bowl size is perfect for use in vending carts.

WARRANTY: All models shown come with Vollrath's standard warranty against defects in materials and workmanship. For full warranty details, please refer to the Vollrath Equipment and Smallwares Catalog.

Agency Listings



Due to continued product improvement, please consult www.vollrath.com for current product specifications.

Approvals	Date



Outperform every day.™
www.vollrath.com

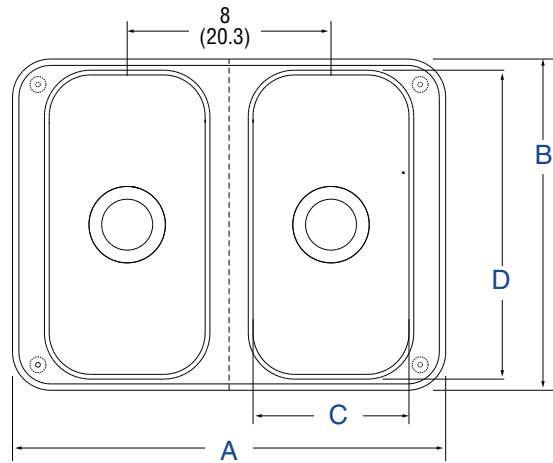
The Vollrath Company, L.L.C.
1236 North 18th Street
Sheboygan, WI 53081-3201 U.S.A.
Customer Service: 800.628.0830
Canada Customer Service: 800.695.8560
Main Fax: 800.752.5620 or 920.459.6573

Technical Services: 800.628.0832
Technical Services Fax: 920.459.5462

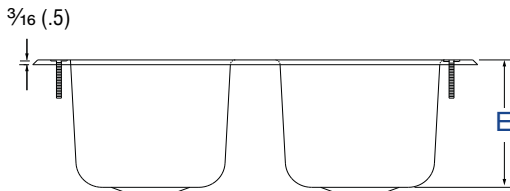
VENDING CART SINKS

DIMENSIONS (inches (cm))

Double Bowl

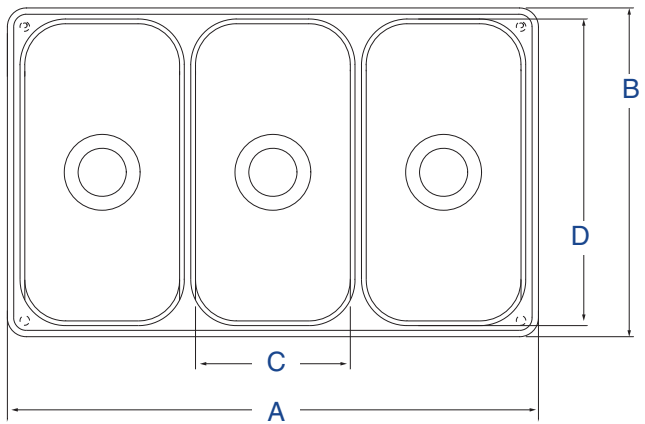


Top View

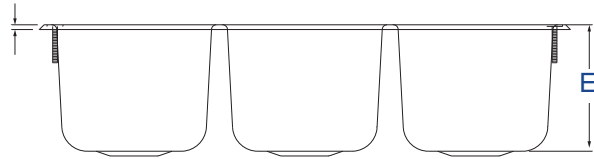


Front View

Triple Bowl

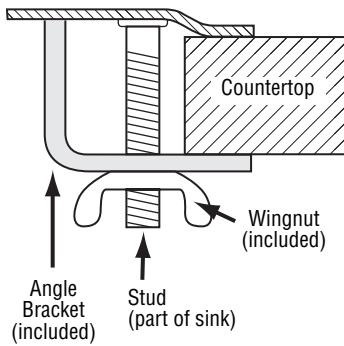


Top View



Front View

Mounting



SPECIFICATIONS

Model	Number of Bowls	Overall Dimension (A x B) (43.2 x 33)	Bowl Dimension (C x D) (15.6 x 30.8)	Bowl Depth (E) (12.7)	Drain Diameter (5.1)	Gauge	Number of Mounting Studs	Case Lot	Case Weight LB (KG)
12065-2	Double	17 x 13 (43.2 x 33)	6 1/8 x 12 1/8 (15.6 x 30.8)	5 (12.7)	2 (5.1)	22	4	1	4.5 (2)
12065-3	Triple	21 x 13 (43.2 x 33)	6 1/8 x 12 1/8 (15.6 x 30.8)	5 (12.7)	2 (5.1)	22	4	1	6 (2.7)



Outperform every day.™

www.vollrath.com

The Vollrath Company, L.L.C.
 1236 North 18th Street
 Sheboygan, WI 53081-3201 U.S.A.
 Customer Service: 800.628.0830
 Canada Customer Service: 800.695.8560
 Main Fax: 800.752.5620 or 920.459.6573

Technical Services: 800.628.0832
 Technical Services Fax: 920.459.5462