



Outperform every day.™

Project:

Item Number:

Quantity:

### WALL-MOUNT HAND SINKS



1410-0C



K1410-CP



1411  
faucet not included

Wall-Mount Hand Sinks

### DESCRIPTION

Vollrath Wall-Mount Hand Sinks are designed and built to withstand vigorous use in professional and commercial kitchens.

### MODELS

- 141-0 2-Hole Sink
- 141-0C 2-Hole Sink with Strainer
- K1410-C 2-Hole Sink with Strainer and Gooseneck Faucet
- K1410-CP 2-Hole Sink with Strainer, Gooseneck Faucet and P-Trap
- 1411 1-Hole Sink for use with Electronic Mixing Faucet (not included)
- 1410-0 2-Hole Sink with Splash Guards
- 1410CS 2-Hole Sink with Splash Guards and Strainer
- K1410CS 2-Hole Sink with Splash Guards, Strainer and Gooseneck Faucet

### FEATURES

- Heavy-weight 20 gauge
- Type 304 stainless steel
- Brushed finish flange
- High back splash
- One-piece drawn bowl
- Positive drain - 2 inch diameter
- Two holes on 4 inch centers, except 1411
- Single hole on 1411 to accommodate electronic mixing faucet
- Optional Splash Mounted AB1953 Lead Free Compliant – Full Brass Body

### ACCESSORIES (NOT NSF OR CSA)

- 2613 - Gooseneck faucet
- 2004 - Repair kit for 2613 faucet
- 7466 - Strainer for 2" (5.1) drain
- 1410P - P-trap for 2" (5.1) drain
- 14110T - 4" (10.2) flanged tail piece

**WARRANTY:** All models shown come with Vollrath's standard warranty against defects in materials and workmanship. For full warranty details, please refer to the Vollrath Equipment and Smallwares Catalog.

### Agency Listings



Sink bowl and faucets



141-0 and 1410-0

1411

141-0 and 1410-0 sinks

Due to continued product improvement, please consult [www.vollrath.com](http://www.vollrath.com) for current product specifications.

Approvals	Date



Outperform every day.™  
[www.vollrath.com](http://www.vollrath.com)

The Vollrath Company, L.L.C.  
1236 North 18th Street  
Sheboygan, WI 53081-3201 U.S.A.  
Customer Service: 800.628.0830  
Canada Customer Service: 800.695.8560  
Main Fax: 800.752.5620 or 920.459.6573

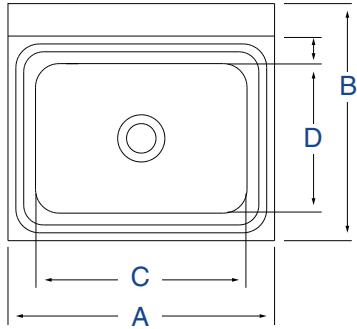
Technical Services: 800.628.0832  
Technical Services Fax: 920.459.5462

# WALL-MOUNT HAND SINKS

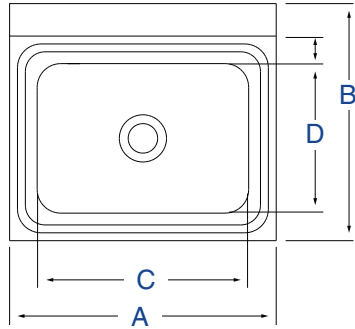
## DIMENSIONS (shown in inches (cm))

141-0 / 141-0C / K1410-C / K1410-CP /  
1410-0 / 1410CS / K1410CS

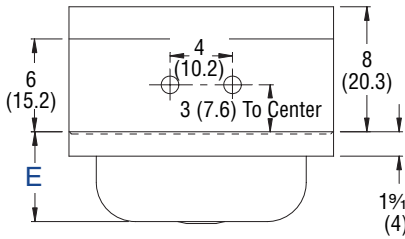
1411



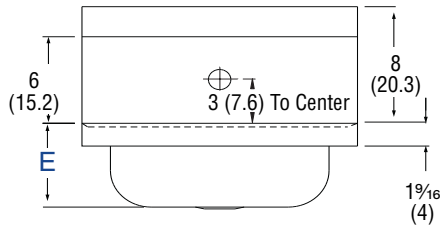
Top View



Top View



Front View



Front View

## SPECIFICATIONS

Model	Description	Overall Dimension (A x B)	Bowl Diameter (C x D)	Bowl Depth (E)	Drain Dia.	Gauge	Case Lot	Case Weight Lb (Kg)
141-0	2-Hole Sink	17 x 15 (43.2 x 38.1)	13 <sup>9</sup> / <sub>16</sub> x 9 <sup>9</sup> / <sub>16</sub> (24.3 x 34.4)	5 <sup>1</sup> / <sub>2</sub> (14)	2 (5.1)	20	1	10 (4.5)
141-0C	2-Hole Sink with Strainer	17 x 15 (43.2 x 38.1)	13 <sup>9</sup> / <sub>16</sub> x 9 <sup>9</sup> / <sub>16</sub> (24.3 x 34.4)	5 <sup>1</sup> / <sub>2</sub> (14)	2 (5.1)	20	1	10.5 (4.8)
K1410-C	2-Hole Sink with Strainer and Gooseneck Faucet	17 x 15 (43.2 x 38.1)	13 <sup>9</sup> / <sub>16</sub> x 9 <sup>9</sup> / <sub>16</sub> (24.3 x 34.4)	5 <sup>1</sup> / <sub>2</sub> (14)	2 (5.1)	20	1	12.6 (5.7)
K1410-CP	2-Hole Sink with Strainer, Gooseneck Faucet and P-Trap	17 x 15 (43.2 x 38.1)	13 <sup>9</sup> / <sub>16</sub> x 9 <sup>9</sup> / <sub>16</sub> (24.3 x 34.4)	5 <sup>1</sup> / <sub>2</sub> (14)	2 (5.1)	20	1	14 (6.4)
1411	1-Hole Sink for use with Electronic Mixing Faucet (not included)	17 x 15 (43.2 x 38.1)	13 <sup>9</sup> / <sub>16</sub> x 9 <sup>9</sup> / <sub>16</sub> (24.3 x 34.4)	5 <sup>1</sup> / <sub>2</sub> (14)	2 (5.1)	20	1	10 (4.5)
1410-0	2-Hole Sink with Splash Guards	17 x 15 (43.2 x 38.1)	13 <sup>9</sup> / <sub>16</sub> x 9 <sup>9</sup> / <sub>16</sub> (24.3 x 34.4)	5 <sup>1</sup> / <sub>2</sub> (14)	2 (5.1)	20	1	14.5 (6.6)
1410CS	2-Hole Sink with Splash Guards and Strainer	17 x 15 (43.2 x 38.1)	13 <sup>9</sup> / <sub>16</sub> x 9 <sup>9</sup> / <sub>16</sub> (24.3 x 34.4)	5 <sup>1</sup> / <sub>2</sub> (14)	2 (5.1)	20	1	15 (6.8)
K1410CS	2-Hole Sink with Splash Guards, Strainer and Gooseneck Faucet	17 x 15 (43.2 x 38.1)	13 <sup>9</sup> / <sub>16</sub> x 9 <sup>9</sup> / <sub>16</sub> (24.3 x 34.4)	5 <sup>1</sup> / <sub>2</sub> (14)	2 (5.1)	20	1	17.6 (8)



Outperform every day.™

[www.vollrath.com](http://www.vollrath.com)

The Vollrath Company, L.L.C.  
1236 North 18th Street  
Sheboygan, WI 53081-3201 U.S.A.  
Customer Service: 800.628.0830  
Canada Customer Service: 800.695.8560  
Main Fax: 800.752.5620 or 920.459.6573

Technical Services: 800.628.0832  
Technical Services Fax: 920.459.5462