



Outperform every day.™

Project:

Item Number:

Quantity:

BAR SINKS



1554-C



173-4-2



K1734-C



1551

Bar Sinks

DESCRIPTION

Vollrath Bar Sinks are designed and built to withstand vigorous use in professional and commercial kitchens.

Agency Certifications



Sink bowl and faucets



155-4 and 173-4-2

1551

155-4 and 173-4-2 sinks

ITEMS

- 155-4 2-Hole Sink
- 1554-C 2-Hole Sink with Strainer
- K1554-C 2-Hole Sink with Strainer and Gooseneck Faucet
- 173-4-2 2-Hole Sink
- 1734-C 2-Hole Sink with Strainer
- K1734-C 2-Hole Sink with Strainer and Gooseneck Faucet
- 1551 1-Hole Sink for use with Electronic Mixing Faucet (not included)

FEATURES

- Faucet deck
- Heavy-weight 20 gauge
- Type 304 stainless steel
- Self-rimming
- Satin finish bowl with brushed finished flange
- One-piece drawn bowl
- Stud mounting with mounting brackets included
- Positive drain - 3½"
- Optional gooseneck faucet has a full brass body, is AB1953 lead free compliant, and has a 2.2 GPM flow rating
- Two holes on 4 inch centers, except 1551
- Single hole on 1551 to accommodate electronic faucet, not included

ACCESSORIES (NOT NSF OR CSA)

- 2612 - Gooseneck faucet, 4" (10.2) centers, 7½" (19.1) high
- 2005 - Repair kit for 2612 faucet
- 2615W - Wrist action handles
- 7400 - Strainer for 3½" (8.9) drains

WARRANTY: All models shown come with Vollrath's standard warranty against defects in materials and workmanship. For full warranty details, please refer to www.Vollrath.com.

Approvals

Date

--

Due to continued product improvement, please consult www.vollrath.com for current product specifications.



Outperform every day.™
www.vollrath.com

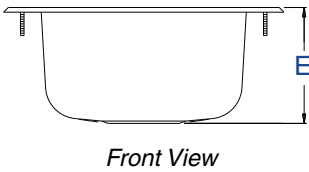
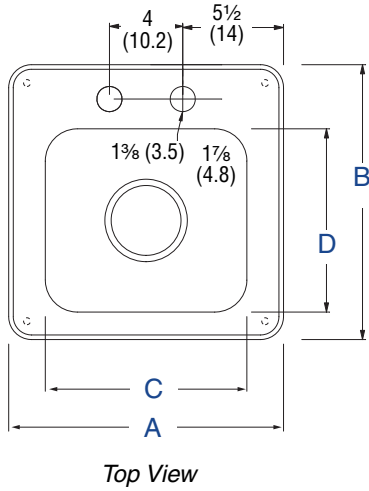
The Vollrath Company, L.L.C.
1236 North 18th Street
Sheboygan, WI 53081-3201 U.S.A.
Customer Service: 800.628.0830
Canada Customer Service: 800.695.8560
Main Fax: 800.752.5620 or 920.459.6573

Technical Services: 800.628.0832
Technical Services Fax: 920.459.5462

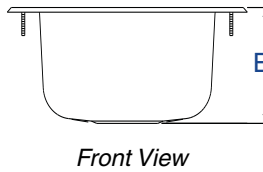
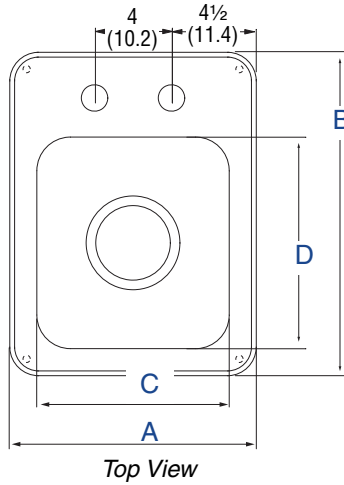
BAR SINKS

DIMENSIONS (inches (cm))

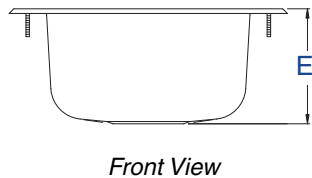
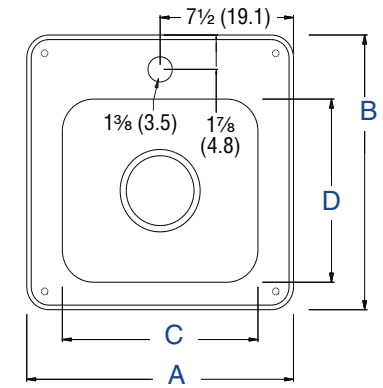
155-4 / 1554-C / K1554-C



173-4-2 / 1734-C / K1734-C



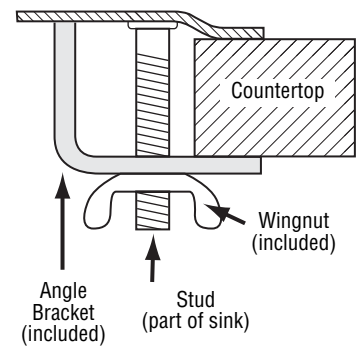
1551



SPECIFICATIONS

Item No.	Description	Overall Dimension (A x B)	Bowl Dimension (C x D)	Bowl Depth (E)	Drain Diameter	Gauge	Number of Mounting Studs	Case Lot	Case Weight LB (KG)
155-4	2-Hole Sink	15 x 15 (38.1 x 38.1)	11 x 10 (28 x 25.4)	6 3/16 (15.7)	3 1/2 (3.9)	20	4	1	5 (2.3)
1554-C	2-Hole Sink with Strainer								6 (2.7)
K1554-C	2-Hole Sink with Strainer and Goose-neck Faucet								7.4 (3.4)
173-4-2	2-Hole Sink	13 x 17 (33 x 43.2)	10 x 11 (25.4 x 28)						4.6 (2.1)
1734-C	2-Hole Sink with Strainer								5.6 (2.5)
K1734-C	2-Hole Sink with Strainer and Goose-neck Faucet								7 (3.2)
1551	1-Hole Sink for use with Electronic Mixing Faucet	15 x 15 (38.1 x 38.1)	11 x 10 (28 x 25.4)						

Mounting



Outperform every day.™

www.vollrath.com

The Vollrath Company, L.L.C.
 1236 North 18th Street
 Sheboygan, WI 53081-3201 U.S.A.
 Customer Service: 800.628.0830
 Canada Customer Service: 800.695.8560
 Main Fax: 800.752.5620 or 920.459.6573

Technical Services: 800.628.0832
 Technical Services Fax: 920.459.5462