



Outperform every day.™

Project:

Item Number:

Quantity:

ROUND SINKS



201250



201260

Round Sinks

MODELS

201250 Round Sink, Contoured Bowl

201260 Round Sink, Straight-Sided Bowl

FEATURES

201250

- Type 304 stainless steel
- Buffed bead stainless steel
- Self-rimming
- Satin finish bowl with brushed finished flange
- One-piece drawn bowl
- Stud mounting with mounting brackets included

201260

- Type 304 stainless steel

DESCRIPTION

Vollrath Round Sinks are designed and built to withstand vigorous use in professional and commercial kitchens.

WARRANTY: All models shown come with Vollrath's standard warranty against defects in materials and workmanship. For full warranty details, please refer to the Vollrath Equipment and Smallwares Catalog.

Agency Listings



201260 is not CSA

Due to continued product improvement, please consult www.vollrath.com for current product specifications.

Approvals

Date

Approvals	Date



Outperform every day.™

www.vollrath.com

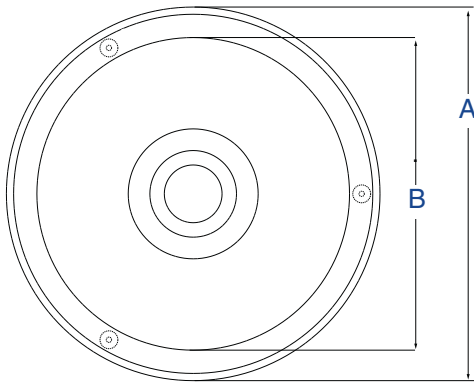
The Vollrath Company, L.L.C.
1236 North 18th Street
Sheboygan, WI 53081-3201 U.S.A.
Customer Service: 800.628.0830
Canada Customer Service: 800.695.8560
Main Fax: 800.752.5620 or 920.459.6573

Technical Services: 800.628.0832
Technical Services Fax: 920.459.5462

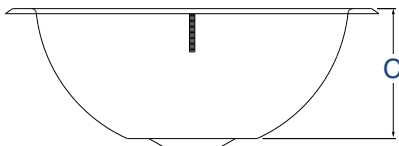
ROUND SINKS

DIMENSIONS (inches (cm))

201250

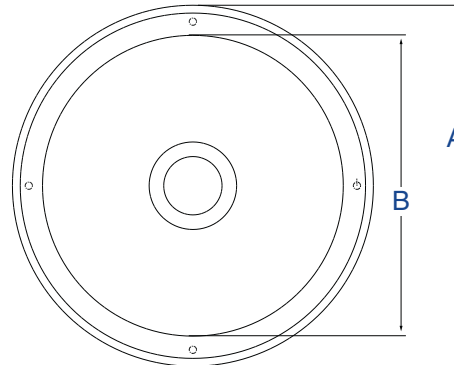


Top View

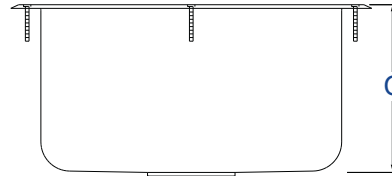


Front View

201260

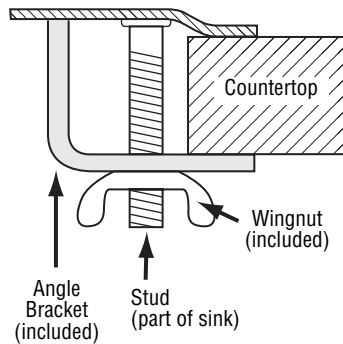


Top View



Front View

Mounting



SPECIFICATIONS

Model	Bowl	Overall Diameter (A)	Bowl Diameter (B)	Bowl Depth (C)	Drain Diameter	Gauge	Number of Mounting Studs	Case Lot	Case Weight LB (KG)
201250	Contoured Sides	12 ¹⁵ / ₁₆ (32.9)	10 ³ / ₄ (27.3)	4 ¹ / ₂ (11.4)	2 (5.1)	22	3	5	10.1 (4.6)
201260	Straight Sides	12 ¹ / ₄ (31.1)	10 ³ / ₈ (26.4)	5 ¹ / ₄ (13.3)	2 (5.1)	20	4	1	2.4 (1.1)



Outperform every day.™

www.vollrath.com

The Vollrath Company, L.L.C.
 1236 North 18th Street
 Sheboygan, WI 53081-3201 U.S.A.
 Customer Service: 800.628.0830
 Canada Customer Service: 800.695.8560
 Main Fax: 800.752.5620 or 920.459.6573

Technical Services: 800.628.0832
 Technical Services Fax: 920.459.5462