




PUMPS: POUCHED PRODUCTS EXPRESS™ SINGLES

Model SE-SS

WHAT DO YOU DISPENSE?

-  **THIN** • fountain syrups • liqueur • hot or soy sauce
-  **THICK** • ketchup • mustard • mayo • bbq sauce
-  **PARTICULATES** • tartar sauce • Thousand Island



  
SE-SS 07030



  
SE-SS 07125
SE-SS 07020

BID DESCRIPTION

The Server Express™ System is constructed of a brushed (#4) finish stainless steel vessel, surgical-quality plastic pump and stainless steel lid. The round model can be used for countertop and drop-in use. The rectangular model is available with a flange for drop-in use or without for countertop applications.

Capacity is 1½ gallons (or 6 L). Maximum stroke yields 1 oz (30 mL). Easy-to-adjust portion control reduces yield in ¼ oz (7 mL) increments. Exclusively uses a pouch with 16mm fitment. The Server Express™ System achieves up to 98% evacuation.

STANDARD FEATURES

- Holds 1½ gallon (or 6 L) pouch (with 16mm fitment)
- Brushed stainless steel vessel, and a stainless steel lid
- **New** Server pump is constructed of surgical-quality plastic parts—quick to breakdown and completely dishwasher safe
- Pump is ADA compliant, requiring less than 5 lbs of pressure to dispense
- Maximum stroke yields 1 ounce (30 mL)
- Easy-to-adjust portion control in ¼ ounce (7 mL) increments
- Discharge tube fitting — new design works with ketchup, mustard and mayonnaise

ACCESSORY ITEMS

- Replacement Pump 07794
- Decal Set: Ketchup, Mustard, Mayonnaise 07131
- Single Drip Tray Assembly 07291

TWO YEAR WARRANTY

Server Products equipment is backed by a two-year limited warranty against defects in materials and workmanship. For a copy of our complete warranty statement, please refer to server-products.com.



ADA
compliant

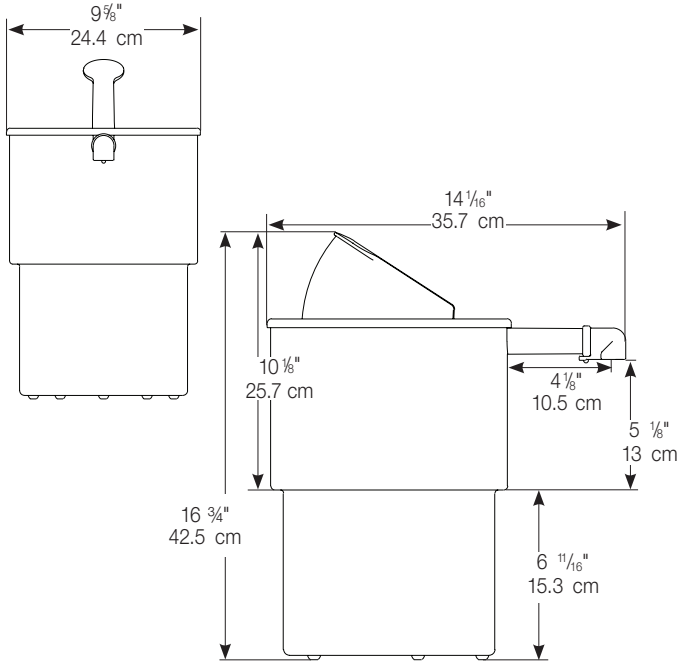


2 YEAR
WARRANTY

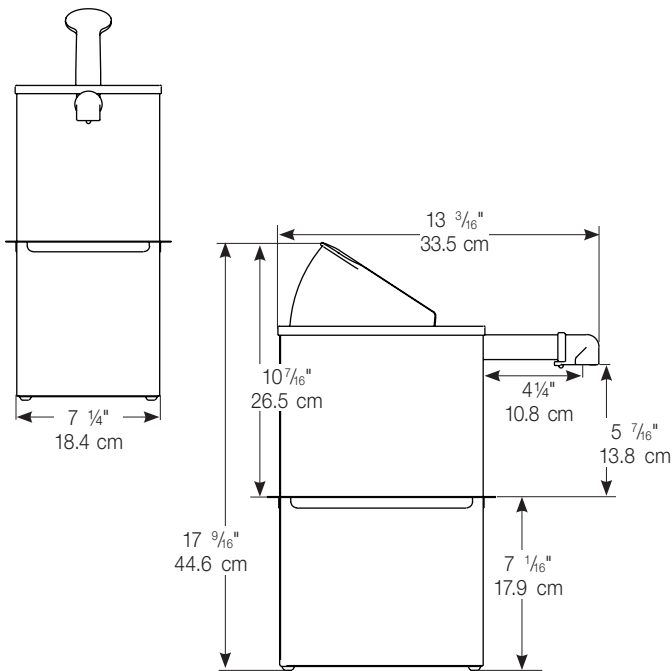
PUMPS: POUCHED PRODUCTS EXPRESS™ SINGLES

Model SE-SS

**SERVER EXPRESS™ STAINLESS STEEL
07030**



**SERVER EXPRESS™ STAINLESS STEEL
07020 & 07125**



MODELS ☾●●●	SE-SS 07030	SE-SS 07020	SE-SS 07125
Capacity	1.5 gal 6 L	1.5 gal 6 L	1.5 gal 6 L
Height	16 3/4" 42.5 cm	10 7/16" 26.5 cm	17 9/16" 44.6 cm
Width	9 5/8" 24.4 cm	6 3/8" 16.2 cm	6 3/8" 16.2 cm
Depth	14 1/16" 35.7 cm	13 3/16" 33.5 cm	13 3/16" 33.5 cm
Cutout Size	8 1/2" (21.6 cm) diameter	6 3/8" x 8 1/2" (16.2 x 21.6 cm)	
Weight	9 lb (4.1 kg)		

FOB RICHFIELD, WISCONSIN 53076

CAD LIBRARY

Individual CAD images can be downloaded free of charge from our website. Our complete collection of CAD files, along with more than 100 other manufacturers, can be purchased through Kochman Consultants, Ltd. at kclcad.com.