

Date:

Project:

Quantity:

Item Number:

**SS #67000****SS1 #67580****Warranty**

Server Products equipment is backed by a two-year limited warranty against defects in materials and workmanship. For our complete warranty statement, see our Website or contact us.

Bid Description

Constructed of stainless steel with a brushed (#4) finish. The center section holds three 1/6 size pans up to 6 in (15.2 cm) deep and is covered by an acrylic hinged lid. Pans are not included.

Each end well holds a #10 can, Stainless Steel Jar #94009, 1-gallon (3.8 L) jar, or #10 pouch with support. End wells include a CPSS-F #67540 pump with a rugged cast stainless steel valve body and welded construction. Maximum stroke yields 1-ounce (30 mL) with gauging collars supplied to reduce yield in 1/4-ounce (7 mL) increments. Serving Station comes complete with red and yellow colored pump knobs.

The Single Stand Assembly consists of a brushed (#4) finish, stainless steel well with a CPSS-F #67540 pump, as described above. Pump knob is black.

Standard Features

Durable stainless steel construction with a brushed finish

One-piece hinged lid over pans helps keep condiments safe

Mounting holes on bottom permit bolting to counter

Maximum stroke yields 1-ounce (30 mL)

Easy-to-adjust portion control in 1/4-ounce (7 mL) increments

Two cleaning brushes included for pump maintenance

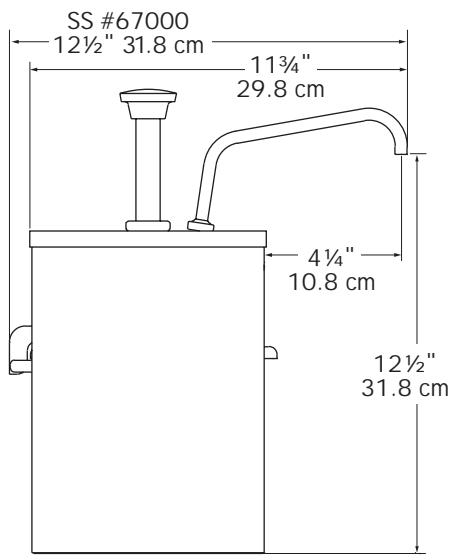
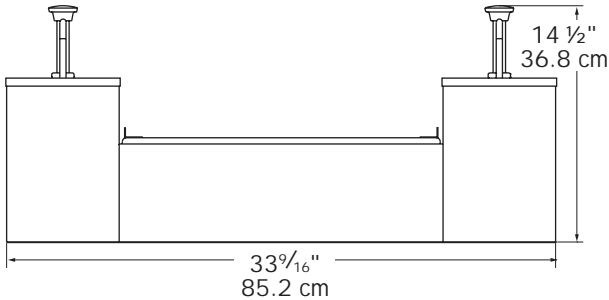
Serving Station Accessories

Pans can be mixed and matched. Center section accepts three 1/6 size or one 1/6 size and three 1/9 size pans.

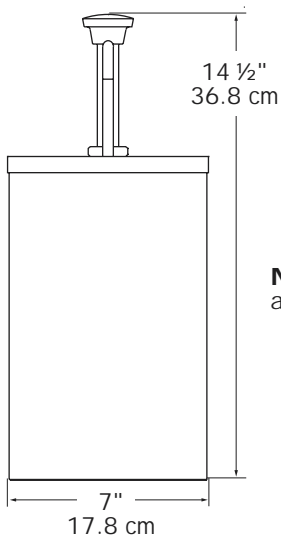
- Stainless Steel Jar #94009
- Pouch Support (for use with #10 pouch) #67044
- 1/6 size, 6 in (15.2 cm) deep pan #90089
- 1/6 size, 4 in (10.2 cm) deep pan #90088
- 1/9 size, 4 in (10.2 cm) deep pan #90106
- 1-ounce (30 mL), 4 in (10.2 cm) Ladle #82717
- Serving Tongs #67492

Specifications on reverse side

Serving Station SS #67000



Single Stand Assembly SS1 #67580



Note: Side view dimensions are shown above.

Specifications

Model	SS #67000		
Construction	Stainless steel base with a brushed (#4) finish. Includes two CPSS-F pumps and an acrylic, hinged lid over the center section.		
Capacity	Each end well holds a #10 can, 3-qt (2.8 L) #94009 jar, 1-gal (3.8 L) jar, or #10 pouch with #67044 Pouch Support. Each 1/6 size, 6" (15.2 cm) deep pan holds 2.7 qt (2.6 L). Pans not included.		
Dimensions		<u>Height</u>	<u>Width</u>
	in	14 1/2	33 3/16
	cm	36.8	85.2
Ship Weight	21 lb (9.5 kg)		
Option	Serving Station with Sneeze Guard SS-SG #67420. Similar to SS #67000, but with sneeze guard instead of lid. Overall height increases from above dimensions.		
Model	SS1 #67580		
Construction	Brushed (#4) finish, stainless steel shroud. Includes one CPSS-F pump.		
Capacity	Same as end well above.		
Dimensions		<u>Height</u>	<u>Width</u>
	in.	14 1/2	7
	cm	36.8	17.8
Ship Weight	8 lb (3.6 kg)		
Option	SS Lockable Assembly SS1L #67590. Similar to SS1 #67580, but includes hasp so pump can be padlocked (padlock not included).		

FOB Richfield, Wisconsin 53076

CAD Library

We are a member of The KCL CADalog with more than 100 other manufacturers. Our CAD files can be purchased through Kochman Consultants, Ltd. at 847-470-1195, or e-mail sales@kclcad.com. Their website is at www.kclcad.com.