

SERVER

Condiment Units

Server Solution™ Serving Station

 Models **SS, SS-SG**
SS1, SS1L

Date:

Project:

Quantity:

Item Number:

**SS #67090****SS1 #67100****Warranty**

Server Products equipment is backed by a two-year limited warranty against defects in materials and workmanship. For our complete warranty statement, see our website or contact us.

Bid Description

Constructed of stainless steel with a brushed (#4) finish. The SS center section holds three 1/6 size pans up to 6 in (15.2 cm) deep and is covered by an acrylic hinged lid. Pans are not included. Each end well holds a #10 can, Stainless Steel Jar #94009 or 1-gallon (3.8 L) jar. End wells include a PSSS-F #83410 Polycarbonate pump.

Model SS-SG is the same as SS except hinged lid is replaced with a sneeze guard.

The Server Solution™ pump dispenses a wide range of products from syrups to relish simply by changing the discharge fitting. Pump parts are dishwasher safe and replaceable. Maximum stroke yields 1-ounce (30 mL) with gauging collars supplied to reduce yield in 1/4-ounce (7 mL) increments.

The Single Stand Assembly SS1 consists of a stainless steel well with a PSSS-F #83410 Polycarbonate pump, as above.

Standard Features

Durable Polycarbonate pump dispenses a wide range of products from syrups to relish

Pump is dishwasher safe for easy clean up

Maximum stroke yields 1-ounce (30 mL)

Easy-to-adjust portion control in 1/4-ounce (7 mL) increments

Decal set of Ketchup, Mustard and Mayonnaise

One-piece hinged lid over pans helps keep condiments safe

Serving Station Accessories

Pans can be mixed and matched. Center section accepts three 1/6-size or one 1/6-size and three 1/9-size pans.

- Stainless Steel Jar #94009
- Pouch Support (for use with #10 pouch) #67044
- 1/6-size, 6 in (15.2 cm) deep pan #90089
- 1/6-size, 4 in (10.2 cm) deep pan #90088
- 1/9-size, 4 in (10.2 cm) deep pan #90106
- Decal Set (Ketchup, Mustard & Mayonnaise) #07131

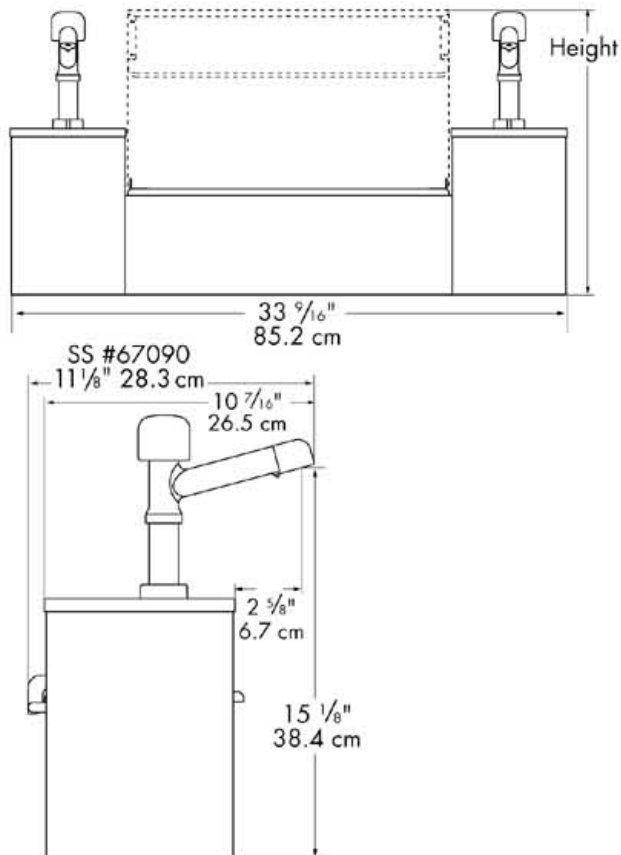
Specifications on reverse side



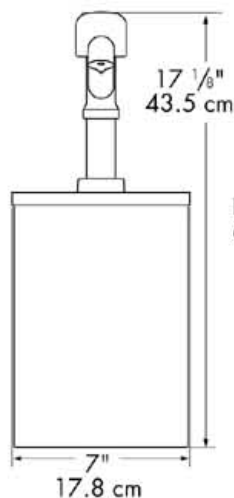
Condiment Units Server Solution™ Serving Station

Models SS, SS-SG
SS1, SS1L

Serving Stations SS #67090 and SS-SG #67170



Single Stand Assembly SS1 #67100



Note: Side view dimensions are shown above.

Specifications

Model	SS #67090
Construction	Stainless steel base with a brushed (#4) finish. Includes two PSSS-F Polycarbonate pumps and an acrylic, hinged lid over the center section.
Capacity	Each end well holds a #10 can, 3-qt (2.8 L) #94009 or 1-gallon (3.8 L) jar. Each 1/6-size, 6" (15.2 cm) deep pan holds 2.7 qt (2.6 L). Pans not included.

Models		SS #67090	SS-SG #67170	SS1 #67100
Height	in	17 1/8	17 1/4	17 1/8
	cm	43.5	43.8	43.5
Width	in	33 9/16	33 9/16	7
	cm	85.2	85.2	17.8
Depth	in	11 1/8	10 7/16	10 7/16
	cm	28.3	26.5	26.5
Ship Weight		20 lb	26 lb	7 lb
		9.1 kg	11.8 kg	3.2 kg

Model	SS1 #67100
Construction	Brushed (#4) finish, stainless steel shroud. Includes one PSSS-F Polycarbonate pump.
Dimensions	Shown in chart above.
Capacity	Same as end well above.
Option	SS Lockable Assembly SS1L #67120. Similar to SS1 #67100, but includes hasp so pump can be padlocked (padlock not included).

FOB Richfield, Wisconsin 53076

CAD Library

We are a member of The KCL CADalog with more than 100 other manufacturers. Our CAD files can be purchased through Kochman Consultants, Ltd. at 847-470-1195, or e-mail sales@kclcad.com. Their website is at www.kclcad.com.

