



Condiment Units Serving Station-Server Express™

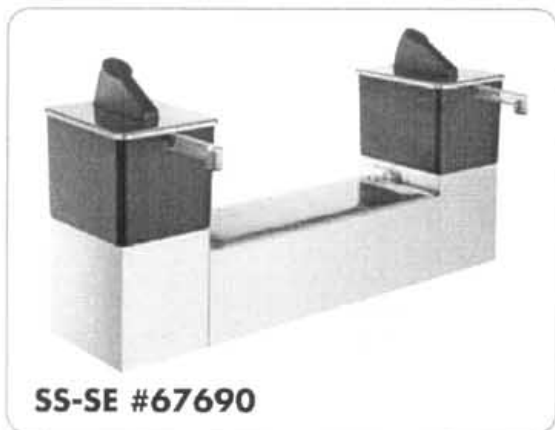
Models SS-SE
SS-1SE, SS-2SE

Date:

Project:

Quantity:

Item Number:



SS-SE #67690



SS-1SE #67760



SS-2SE #07300



Bid Description

The condiment Serving Station-Server Express™ is constructed of a brushed (#4) finish stainless steel base with an acrylic hinged lid over the center section. Center holds three 1/6-size pans or one 1/6 and three 1/9-size pans up to 6" (15.2 cm) deep (not included).

Each end well is furnished with the Server Express™ System—a surgical-quality plastic, pump in a black, thermoset polyester vessel. Pump vessel lids are brushed stainless steel.

Capacity for each Express™ System is 1 1/2-gallons (or 6 L). Maximum stroke yields 1-ounce (30 mL). Easy-to-adjust portion control reduces yield in 1/4-ounce (7 mL) increments. Exclusively uses a Cryovac® pouch with fitment.

The Single Stand Express™ consists of a brushed stainless steel shroud and is furnished with the Server Express™ System as described above. Twin Stand is similar except with two Express™ Systems within a single shroud.

Standard Features

Center section lid on Serving Station is removable for cleaning

Each pump vessel holds a 1 1/2-gallon (or 6 L) Cryovac® pouch

Pump is constructed of surgical-quality plastic parts—quick to breakdown and completely dishwasher safe

Maximum stroke yields 1-ounce (30 mL)

Easy-to-adjust portion control in 1/4-ounce (7 mL) increments

Two discharge tube fittings—black for ketchup and mustard, white for thicker products

Server Express™ Accessories

- Tapered Discharge Fitting #07119
- Replacement Pump #07044
- Single Drip Tray Assembly #07291



Warranty

Server Products equipment is backed by a two-year limited warranty against defects in materials and workmanship. For our complete warranty statement, see our Website or contact us.

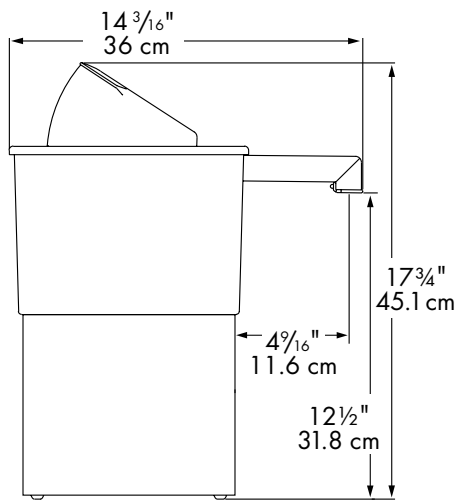
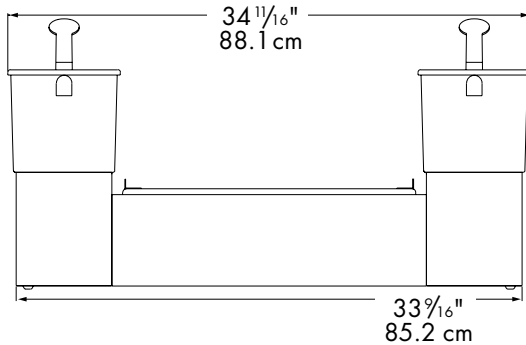
Specifications on reverse side



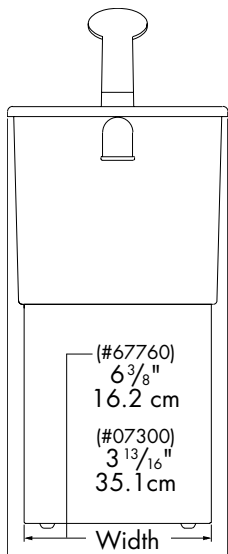
Condiment Units Serving Station-Server Express™

Models SS-SE
SS-1SE, SS-2SE

Serving Station-Server Express™ SS-SE #67690



Single & Twin Stand Models



Note: Side view is same as unit above.

Specifications

Model	SS-SE #67690			
Construction	Brushed finish stainless steel base with an acrylic hinged lid over the center section. Furnished with surgical-quality plastic, pumps in black, thermoset polyester vessels. Vessel lids are brushed stainless steel.			
Capacity	1½-gallon (or 6 L) capacity per pump vessel			
Dimensions		<u>Height</u>	<u>Width</u>	<u>Depth</u>
	in	17¾	34 ¹¹ / ₁₆	14 ³ / ₁₆
	cm	45.1	88.1	36
Ship Weight	30 lb (13.6 kg)			

Models		SS-1SE #67760	SS-2SE #07300
Height	in	17 ¾	17 ¾
	cm	45.1	45.1
Width	in	7 ½	14 ¹⁵ / ₁₆
	cm	19.1	37.9
Depth	in	14 ³ / ₁₆	14 ³ / ₁₆
	cm	36	36
Capacity		1½-gallon	3-gallon
		6 L	12 L
Ship Wt.	lb	10	17
	kg	4.5	7.7

Cryovac® is a registered trademark and a trade name of Cryovac Inc.
FOB Richfield, Wisconsin 53076

CAD Library

We are a member of The KCL CADalog with more than 100 other manufacturers. Our CAD files can be purchased through Kochman Consultants, Ltd. at 847-470-1195 or e-mail sales@kclcad.com. Their Website is at www.kclcad.com.

