



PUMPS {STAINLESS STEEL} COMPACT STATIONS

Models **RS-2C/RS-2RCNL**
RS-3NL/IRS-3R

Date:

Project:

Quantity:

Item Number:



RS-2C/RS-2RCNL 67730

Bid Description

Each serving station is constructed of stainless steel with a brushed (#4) finish. They're furnished with CP-1/6 stainless steel ketchup and mustard pumps and (2) 1/6 -size pans, 6" (15.2 cm) deep. Maximum stroke yields a 1 ounce (30 mL) portion. Gauging collars are supplied to reduce portions in 1/4 ounce (7 mL) increments.

The Serving Station-Compact features a two-pan section in the front with a hinged lid over (2) 1/6 -size pans, 6" (15.2 cm) deep. Lid has stay-open and self-close feature.

The Two-Tiered Serving Station features an insulated back rail with (1) 1/6 -size and (3) 1/9 -size pans, 4" (10.2 cm) deep and is topped by an acrylic hinged lid. In addition to the pump section described above, this unit also includes a 1/6 -size pan, 4" (10.2 cm) deep between the pumps, (4) ladles, (6) Eutectic Ice Packs, and (2) serving tongs.



RS-3NL/IRS-3R 67800

Standard Features

Durable stainless steel construction with a brushed finish

Each include (2) CP-1/6 pumps and pans

Two-Tiered Serving Station also includes: (4) Ladles 82717, (6) Eutectic Ice Packs 94013, and (2) Tongs 67492

Acrylic hinged lid is easily removed for cleaning

Colored pump knobs engraved with ketchup and mustard

Maximum stroke yields 1 ounce (30 mL)

Easy-to-adjust portion control in 1/4 ounce (7 mL) increments

Serving Station Accessories

- 1/6 -size, 6" (15.2 cm) deep pan 90089
- 1/6 -size, 4" (10.2 cm) deep pan 90088
- 1/9 -size, 4" (10.2 cm) deep pan 90106
- 1 ounce (30 mL), 4" (10.2 cm) Ladle 82717
- Eutectic Ice Pack 94013
- Serving Tongs 67492



THIN THICK PARTICULATE
See category tab for details.



Warranty

Server Products equipment is backed by a two-year limited warranty against defects in materials and workmanship. For our complete warranty statement, see our web site or contact us.

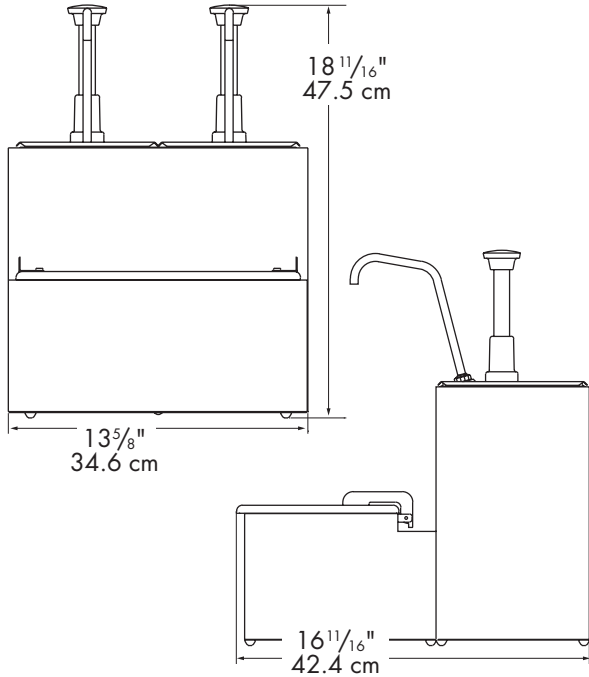
Specifications on reverse side



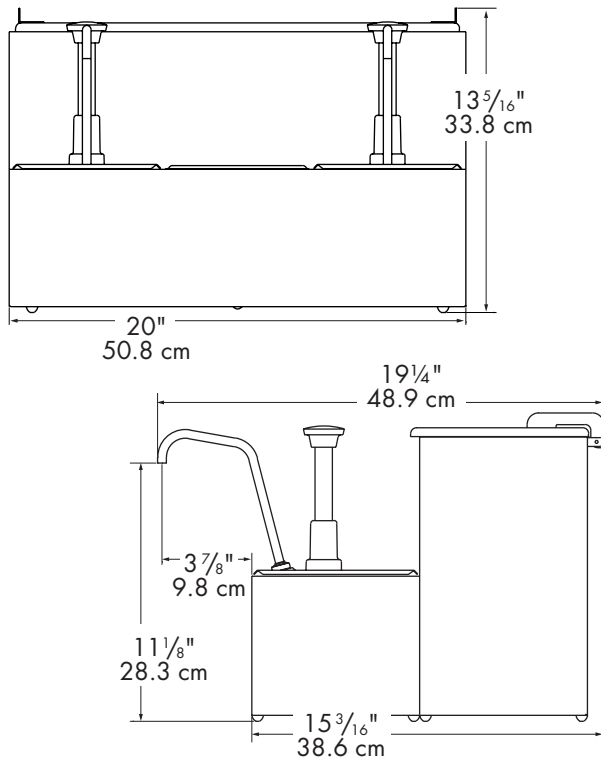
PUMPS {STAINLESS STEEL} COMPACT STATIONS

Models **RS-2C/RS-2RCNL**
RS-3NL/IRS-3R

Serving Station-Compact RS-2C/RS-2RCNL 67730



Two-Tier Serving Station RS-3NL/IRS-3R 67800



Specifications

Model	RS-2C/RS-2RCNL 67730			
Construction	Stainless steel base with a brushed (#4) finish. Includes CP-1/6 pumps, 1/6-size pans and an acrylic self-closing lid.			
Capacity	Each 1/6-size, 6" (15.2 cm) deep pan holds 2.7 quarts (2.6 L).			
Dimensions		<u>Height</u>	<u>Width</u>	<u>Depth</u>
	in	18 11/16	13 5/8	16 11/16
	cm	47.5	34.6	42.4
Ship Weight	23 lb (10.4 kg)			
Model	RS-3NL/IRS-3R 67800			
Construction	Stainless steel base with a brushed (#4) finish. Includes CP-1/6 pumps, 1/6 and 1/9-size pans, acrylic lid, ladles, Eutectic Ice Packs and tongs.			
Capacity	Each 1/6-size, 6" (15.2 cm) deep pan holds 2.7 quarts (2.6 L). At 4" (10.2 cm) deep it holds 1.8 quarts (1.7 L). Each 1/9-size, 4" (10.2 cm) deep pan holds 1.1 quart (1 L).			
Dimensions		<u>Height</u>	<u>Width</u>	<u>Depth</u>
	in	13 5/16	20	19 1/4
	cm	33.8	50.8	48.9
	Height with lid open: 19 7/16" (49.4 cm)			
Weight	36 lb (16.3 kg)			

FOB Richfield, Wisconsin 53076

CAD Library

Individual CAD images can be downloaded from product pages on our web site. We are also a member of The KCL CADalog with more than 100 other manufacturers. Our complete collection of CAD files can be purchased through Kochman Consultants, Ltd. at kclcad.com.



Server Products, Inc. • P.O. Box 98 • Richfield, WI 53076 • Toll Free: 800-558-8722
P: 262-628-5600 • F: 262-628-5110 • spsales@server-products.com • server-products.com
Server Products, Inc. reserves the right to modify specifications without obligation. Printed in USA

10-2008/.5M Stock #02038