



S E R V E R

SERVE BETTER™

# BEVERAGE STATION

Model BS-ST 24 OZ & BS-ST 14 OZ



BEVERAGE STATION 24 OZ BS-ST 80105



**2** YEAR  
WARRANTY

## BID DESCRIPTION

The Beverage Station is ideal for dispensing chilled dairy and granular sweeteners into cups of coffee, particularly at the drive-thru window. Station comes complete with an EZ-Cream™ Dairy Dispenser, a SweetStation™ rack with flavor decals and (3) InSweeten™ dispensers all combined on a durable stainless steel stand.

The EZ-Cream™ Dairy Dispenser 94160 utilizes thermoelectric technology to chill a 2 quart (1.9 L) removable food vessel. It features an integrated discharge tube chiller block, which ensures food is kept at a safe serving temperature for the entire holding and serving process. In operation, the EZ-Cream™ Dairy Dispenser holds product consistently below 41°F (5°C) in up to 86°F (30°C) ambient temperature. Specialized discharge valve keeps cream from splashing. The EZ-Cream™ Dairy Dispenser is customized to dispense a  $\frac{5}{16}$  oz (9.2 mL) portion per stroke which is equivalent to the common creamer packet but can be adjusted to serve from  $\frac{1}{8}$  oz to 1 oz.

The SweetStation™ dispenser system has preset sweetener portions that are equivalent to common portion packs and are designed for ergonomic, single-handed operation. InSweeten™ dispensers come in 24 oz or low-profile 14 oz capacities. Color-coded flavor decals and portion triggers make brand identification easy.

SweetStation™ comes complete with triple dispenser rack, (4) flavor decals, (1) InSweeten™ dispenser with 2.8 g white trigger and (2) InSweeten™ dispensers with 1 g yellow, pink & blue triggers.

## STANDARD FEATURES

- EZ-Cream™ Dairy Dispenser is NSF listed for potentially hazardous food including dairy; NSF Standard 18 & 20
- EZ-Cream™ Dairy Dispenser holds (200)  $\frac{5}{16}$  oz (9.2 mL) portions
- InSweeten™ 24 oz and 14 oz hoppers are made of durable, clear polycarbonate to show off product for visual cue for refilling - BPA free & NSF listed
- Color-coded flavor decals and portion triggers for brand identification
- 24 oz dispensers hold (465) 1 g or (206) 2.8 g servings
- 14 oz dispensers hold (271) 1 g or (120) 2.8 g servings



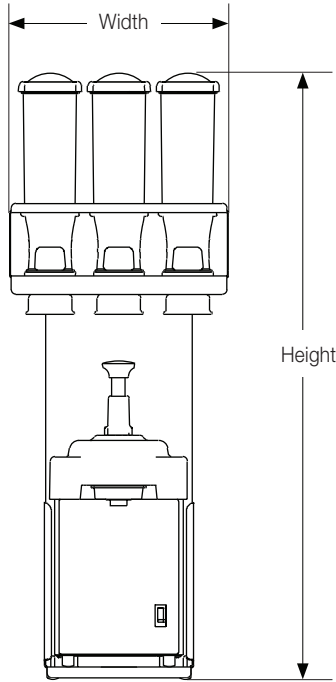
SERVER

SERVE BETTER™

# BEVERAGE STATION

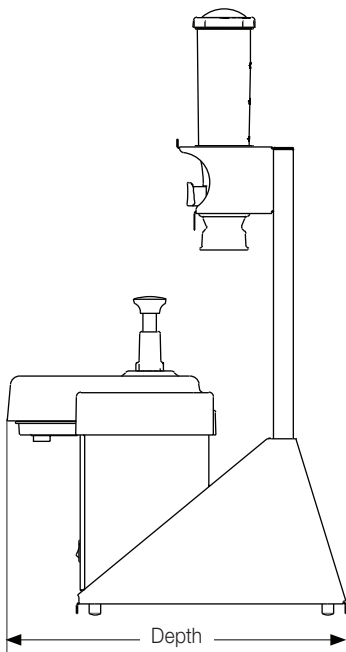
Models BS-ST 24 OZ & BS-ST 14 OZ

## BEVERAGE STATION



MODEL	BS-ST 80105	BS-ST 80106
Capacity	EZ-Cream™ SweetStation™ 2 qt (3) 24 oz 1.9 L 709.8 mL	EZ-Cream™ SweetStation™ 2 qt (3) 14 oz 1.9 L 414 mL
Height	33" 83.8 cm	29 3/4" 75.6 cm
Width	11 7/8" 30.2 cm	11 7/8" 30.2 cm
Depth	18 1/2" 47 cm	18 1/2" 47 cm
Weight	33 lb 15 kg	31 lb 14.01 kg
Electrical (CSP 94160)	Power supply converts 120V 1 Amp AC to 12V DC power with 7' (2.1 m) power cord NEMA 5-15P, 15A, 125V PLUG	Power supply converts 120V 1 Amp AC to 12V DC power with 7' (2.1 m) power cord NEMA 5-15P, 15A, 125V PLUG

FOB RICHFIELD, WISCONSIN 53076



Server Products, Inc. | PO Box 98 | Richfield WI 53076 | 800.558.8722

262.628.5600 | F: 262.628.5110 | spsales@server-products.com | server-products.com

Server Products, Inc. reserves the right to modify specifications without obligation. Printed in USA 5.2014 Stock 02119