



# FOOD WARMERS {MERCHANDISERS} SUPREME™ HOT TOPPERS

Models FS-SS  
FSP-SS  
FSPW-SS  
FSPWI-SS

Date:

Project:

Quantity:

Item Number:



**FSPW-SS 81140**



**FSPWI-SS 80140**



**FS-SS 86500**

## Bid Description

Supreme™ hot topping servers feature rounded corners and are constructed of brushed (#4) stainless steel bodies with black thermoset plastic bottom and top. Each dispense directly from a 3 quart (2.8 L) stainless steel jar (not included). Pumps feature a cast valve body and welded construction. Pump yields 1 ounce (30 mL). Gauging collars are supplied to reduce the yield in ¼ ounce (7 mL) increments.

An adjustable, precalibrated thermostat controls the heating element. Each feature a "Power On" light and water fill line.

The FSPW-SS is designed with pump and spout warmer opposite the instrument panel side. FSPWI-SS has spout warmer on the instrument panel side. FS-SS is designed with lift-off lid and 1 oz (30 mL) ladle. Each included (3) magnetic merchandising signs: Caramel (86789), Cheese (86787), and Fudge (86788).

FSP-SS includes pump without spout warmer and (2) magnetic merchandising signs: Caramel and Fudge. When dispensing potentially hazardous foods, a spout warmer is required.

## Standard Features

Pump design prevents loss of valve balls

Pump stroke yields 1 oz (30 mL) with portion control in ¼ oz (7 mL) increments

Adjustable, precalibrated thermostat for accurate heat control

Temperature marks on knob with protective knob guard

Water fill line eliminates overflow accidents

Includes magnetic signs for versatile merchandising

## Supreme™ Merchandiser Accessories

- 3 quart (2.8 L) Stainless Steel Jar 94009
- Stainless Steel Jar, Storage Lid 94008



## Warranty

Server Products equipment is backed by a two-year limited warranty against defects in materials and workmanship. For a copy of our complete warranty statement, see our web site or contact us.



ALSO AVAILABLE  
FOR EXPORT

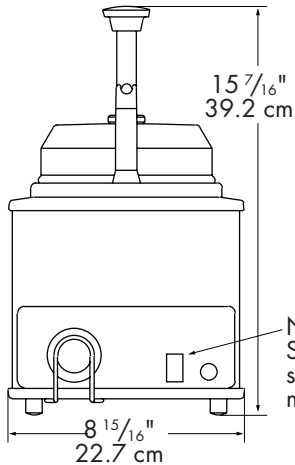
Specifications on reverse side



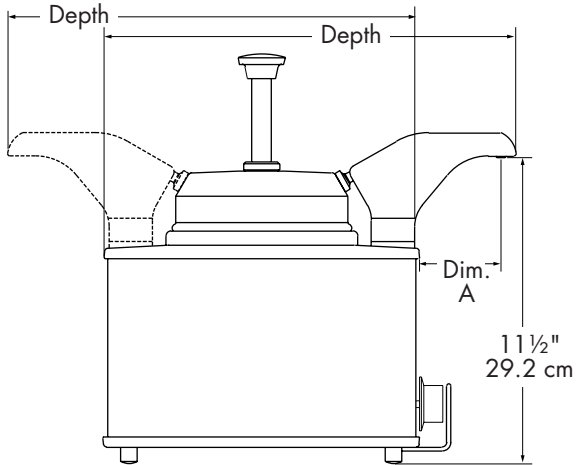
# FOOD WARMERS {MERCHANDISERS} SUPREME™ HOT TOPPERS

Models FS-SS  
FSP-SS  
FSPW-SS  
FSPWI-SS

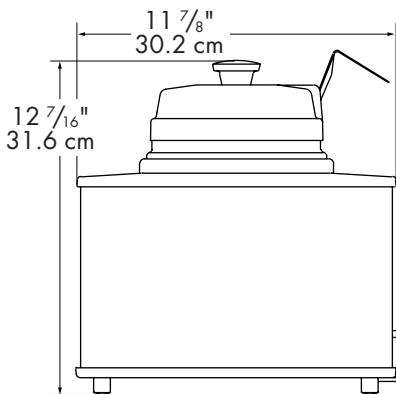
## Supreme™ Server with Spout Warmer and Pump



Note:  
Switch on  
spout warmer  
models only.



## Supreme™ Server with Ladle



## Specifications

Construction	Stainless steel base with black thermoset plastic bottom and top. Pump features a rugged cast valve body and welded construction.
Capacity	Stainless steel jar or #10 can holds 3 quarts (2.8 L) (not included).
Electrical	120V, 60Hz, 72 in (183 cm) cord set NEMA 5-15P, 15A, 125V PLUG

Models	FSPW-SS 81140	FSPWI-SS 80140	FSP-SS 86510
Height	in 15 7/16 cm 39.2	in 15 7/16 cm 39.2	in 15 7/16 cm 39.2
Width	in 8 15/16 cm 22.7	in 8 15/16 cm 22.7	in 8 15/16 cm 22.7
Depth	in 15 1/2 cm 39.4	in 15 1/2 cm 39.4	in 15 1/8 cm 38.4
Dim. A	in 3 1/16 cm 7.8	in 3 1/16 cm 7.8	in 3 1/16 cm 7.8
Weight	15 lb 6.8 kg	15 lb 6.8 kg	14 lb 6.4 kg
Electrical	517 watts 4.3 amps	517 watts 4.3 amps	500 watts 4.2 amps

Model	FS-SS 86500		
Construction	Includes a 1 ounce (30 mL) ladle—no pump.		
Dimensions	Height	Width	Depth
	in 12 7/16 cm 31.6	in 8 15/16 cm 22.7	in 11 7/8 cm 30.2
Electrical	120V, 60Hz, 500W, 4.2A		
Weight	13 lb (5.9 kg)		

FOB Richfield, Wisconsin 53076

NSF Listed as a rethermalization unit to ensure food is quickly heated to a safe temperature before bacteria has an opportunity to grow.

## CAD Library

Individual CAD images can be downloaded from product pages on our web site. We are also a member of The KCL CADalog with more than 100 other manufacturers. Our complete collection of CAD files can be purchased through Kochman Consultants, Ltd. at [kclcad.com](http://kclcad.com).

