

# Get out all the good.

## Stainless Steel Fountain Jar Pumps



Models for countertop, drop-in or slanted fountainette applications, for standard 2 qt or 3 1/2 qt fountain jars

Manage food costs and flavor with precise portion-control

Drop-in models feature a higher discharge point for additional serving clearance

NSF listed, clean-in-place certified or disassemble for cleaning

**NEW** Thick Pump (TP) models reduce dispensing force needed when working with especially thick or thicker products

Use interchangeable colored, engraved knob to identify products; black is standard  
*(details on p. 4)*

### 2 QT FOUNTAIN JARS

*(details on p. 2)*



CP-200 2 oz 87610



FP-200V 82130



FP-200 82100

### 3 1/2 QT FOUNTAIN JARS

*(details on p. 3)*



CP-F 83330



CP-F 2 oz 87660



FP-V 82120

### FAST FACTS

- 1 oz or 1 1/4 oz maximum portion; adjustable in 1/8 oz increments (except 2 oz pump; see specs).
- Fit standard fountain jars, sold separate (see p. 4 for details)

### APPLICATIONS

- Dispense syrups, sauces, concentrates or other ingredients from a fountain jar with precise portion control
- Models for countertop, drop-in or fountainette applications

**Stainless Steel Fountain Jar Pumps**  
Models CP-200, FP-200V, FP-200, CP-F, FP-V, FP, FPV-DI, FP-DI, TP-200V & TP-V



# Purposefully made to last.

## Stainless Steel Fountain Jar Pumps—2 qt Models CP-200, FP-200V, TP-200V & FP-200

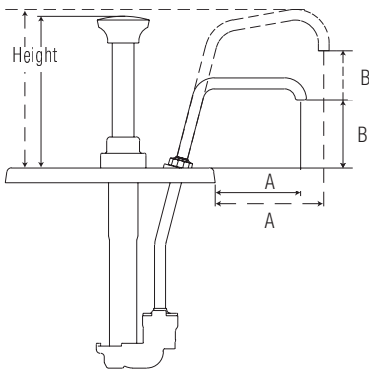
DISPENSES	<b>THIN</b> fountain syrups • oils • hot sauce
	<b>THICK</b> ketchup • mustard • mayonnaise • bbq
	<b>THICKER</b> tartar sauce • crafted sauces
APP	<b>AMBIENT</b>
	<b>COLD</b>
	<b>HOT</b>

### SPECIFIER STATEMENT

**83300 | 87610 | 82130 | 86750 | 87670 | 82100:** Server Products stainless steel pumps for 2 qt (1.9L) fountain jars dispense thin, thick, or thicker craft sauces from a countertop station or slanted fountainette. Models with a 1 oz (30 mL) maximum portion can reduce in 1/8 oz (3.7 mL) increments; 2 oz (60 mL) models adjust to serve 1 3/4, 1 1/2 or 1 1/4 oz (51, 44, or 37 mL) with included collars. NSF listed, clean-in-place certified and BPA Free. Two-year warranty. Ships FOB Richfield, WI 53076.



CP-200, FP-200V, TP-200V & FP-200



CP-200 2 oz 87610



FP-200V 82130



FP-200 82100

order quantity	dispenses	model/item	application	pump & lid fit (jar not incl.)	full portion	dimensions (above jar)	weight	dim a	dim b
<input type="checkbox"/>		CP-200 83300		2 qt fountain jar, shallow (1.9L)	1 oz 30 mL	5 1/2" x 4 1/2" x 7 1/8" 14 x 11.4 x 18.1 cm	3 lb 1.4 kg	3 7/8" 9.8 cm	4 1/8" 10.5 cm
<input type="checkbox"/>		CP-200 2 oz 87610			2 oz 60 mL	6 1/8" x 4 1/2" x 7 1/8" 15.6 x 11.4 x 18.1 cm			
<input type="checkbox"/>		FP-200V 82130		2 qt fountain jar, shallow (1.9L)	1 oz 30 mL	5 1/8" x 4 1/2" x 7 1/8" 13 x 11.4 x 18.1 cm	3 lb 1.4 kg	2 7/8" 7.3 cm	2 5/16" 5.9 cm
<input type="checkbox"/>		<b>NEW</b> TP-200V 86750			2 oz 60 mL	6 1/8" x 4 1/2" x 7 1/8" 15.6 x 11.4 x 18.1 cm	3 lb 1.4 kg	2 7/8" 7.3 cm	2 5/16" 5.9 cm
<input type="checkbox"/>		FP-200V 2 oz 87670		2 qt jar, shallow (slanted) (1.9L)	1 oz 30 mL	5 1/8" x 4 1/2" x 7 1/8" 13 x 11.4 x 18.1 cm	3 lb 1.4 kg	2 1/8" 5.4 cm	2 7/8" 7.3 cm
<input type="checkbox"/>		FP-200 82100			2 oz 60 mL	6 1/8" x 4 1/2" x 7 1/8" 15.6 x 11.4 x 18.1 cm	3 lb 1.4 kg	2 7/8" 7.3 cm	

Dispensers above fit a standard fountain jar; available in white, black and orange (featured on p 4).

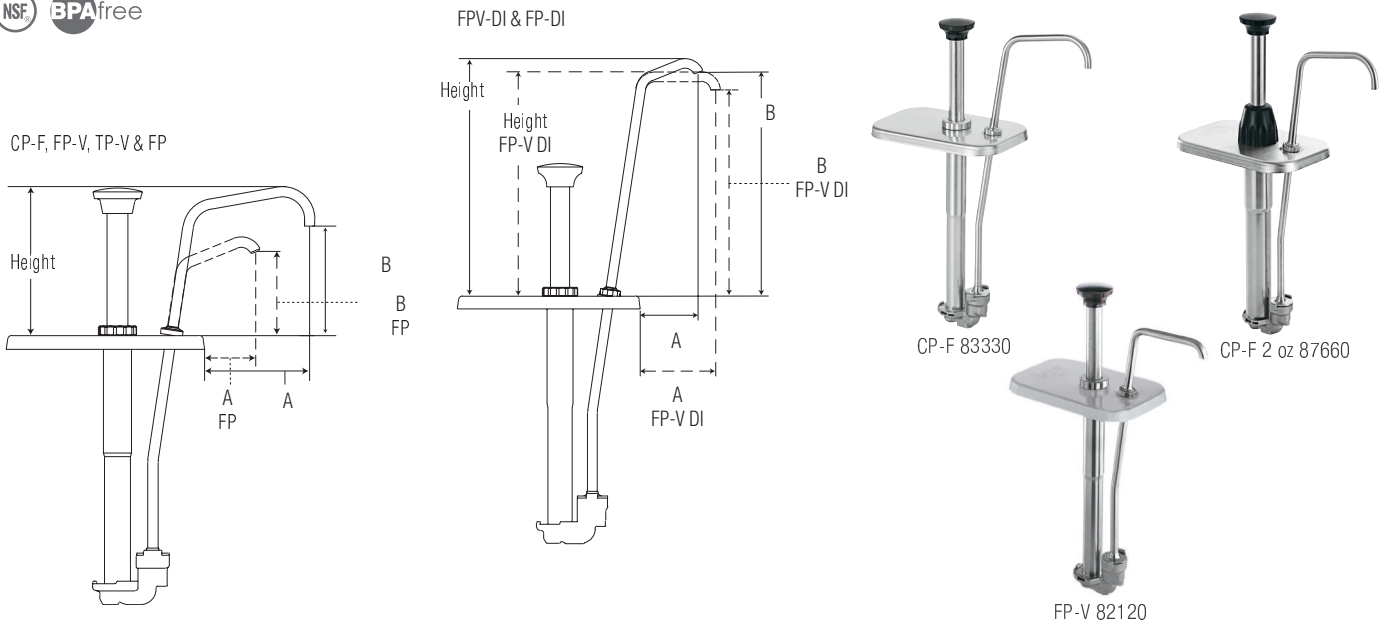
# Purposefully made to last.

## Stainless Steel Fountain Jar Pumps—3 1/2 qt Models CP-F, FP-V, TP-V, FPV-DI, FP & FP-DI

DISPENSES	<b>THIN</b> fountain syrups • oils • hot sauce
	<b>THICK</b> ketchup • mustard • mayonnaise • bbq
	<b>THICKER</b> tartar sauce • crafted sauces
APP	<b>AMBIENT</b>
	<b>COLD</b>
	<b>HOT</b>

### SPECIFIER STATEMENT

**83330 | 87660 | 82120 | 86760 | 87650 | 82520 | 82070 | 82990:** Server Products stainless steel pumps for 3 1/2 qt (3.3 L) fountain jars dispense thin, thick, or thicker craft sauces from a countertop station or slanted fountainette. Models with a 1 1/4 oz (37 mL) maximum portion can reduce in 1/8 oz (3.7 mL) increments; 2 oz (60 mL) models adjust to serve 1 3/4, 1 1/2 or 1 1/4 oz (51, 44, or 37 mL) with included collars. NSF listed, clean-in-place certified and BPA Free. Two-year warranty. Ships FOB Richfield, WI 53076.



order quantity	dispenses	model/item	application	pump & lid fit (jar not incl.)	full portion	dimensions (above jar)	weight	dim a	dim b
<input type="checkbox"/>		CP-F 83330		3 1/2 qt fountain jar, deep (3.3L)	1 1/4 oz 37 mL	5 1/2" x 4 1/2" x 7 1/8" 14 x 11.4 x 18.1 cm	3 lb	3 7/8"	4"
<input type="checkbox"/>		CP-F 2 oz 87660			2 oz 60 mL	6 1/8" x 4 1/2" x 7 1/8" 15.6 x 11.4 x 18.1 cm	1.4 kg	9.8 cm	10.2 cm
<input type="checkbox"/>		FP-V 82120			1 1/4 oz 37 mL	5 1/8" x 4 1/2" x 7 1/8" 13 x 11.4 x 18.1 cm		2 7/8"	2 9/16"
<input type="checkbox"/>		<b>NEW</b> TP-V 86760		3 1/2 qt fountain jar, deep (3.3L)			3 lb		
<input type="checkbox"/>		FP-V 2 oz 87650		(use DI model for drop-in)	2 oz 60 mL	6 1/8" x 4 1/2" x 7 1/8" 15.6 x 11.4 x 18.1 cm	1.4 kg	2 7/8"	2 9/16"
<input type="checkbox"/>		FPV-DI 82520			1 1/4 oz 37 mL	9 1/4" x 4 1/2" x 7 1/8" 23.5 x 11.4 x 18.1 cm		3"	8 1/2"
<input type="checkbox"/>		FP 82070		3 1/2 qt jar, deep (slanted) (3.3L)	1 1/4 oz 37 mL	5 1/8" x 4 1/2" x 7 1/8" 13 x 11.4 x 18.1 cm	3 lb	1 7/8"	3"
<input type="checkbox"/>		FP-DI 82990		(use DI model for drop-in)		9 5/16" x 4 1/2" x 7 1/8" 23.7 x 11.4 x 18.1 cm	1.4 kg	2 1/4"	8 3/4"

Dispensers above fit a standard fountain jar; available in white, black and orange (featured on p 4).

# Purposefully made to last.

## Stainless Steel Fountain Jar Pumps—Related Items

### FOUNTAIN JARS



83147



83156

order quantity	jar color	item	description	capacity
<input type="checkbox"/>	<input type="checkbox"/>	82558		
<input type="checkbox"/>	<input checked="" type="checkbox"/>	83147	standard, shallow fountain jar	2 qt (1.9L)
<input type="checkbox"/>	<input checked="" type="checkbox"/>	83148		
<input type="checkbox"/>	<input type="checkbox"/>	82557		
<input type="checkbox"/>	<input checked="" type="checkbox"/>	83149	standard, deep fountain jar	3 1/2 qt (3.3L)
<input type="checkbox"/>	<input checked="" type="checkbox"/>	83156		

### Server's Standard Fountain Jars

High-impact polypropylene fountain jars feature molded-in feet to prevent tipping during filling. Tabs and side slots allow lids to fit securely; front notch allows lid to close over ladle or spoon handle. Fountain jars can be dropped into a countertop cutout, or placed into a topping station or fountainette. Cutout dimensions are 4 5/16" x 7" (11 x 17.8 cm) for both shallow and deep jars.

### COLORED KNOBS

Interchangeable engraved and colored knobs help staff and patrons identify contents, coordinate with store themes or promote branded products. (Specify color\* and text at time of order.)

\*Exact shade may vary from picture



### SLIM STAINLESS STEEL FOUNTAIN JAR PUMPS

Slim fountain jars allow you to offer more topping in the same amount of space. Create a customized station using slim, standard or both slim and standard stainless steel fountain jar pumps. See how at [www.server-products.com/Equipment/Topping-Stations](http://www.server-products.com/Equipment/Topping-Stations).