

# Get out all the good.

## Stainless Steel Slim Fountain Jar Pumps



More topping options in the same space; six slim jars fit in the space of four standard jars

Models for countertop, drop-in or slanted fountainette applications, for slim 1 1/2 qt or 2 qt fountain jars

Manage food costs and flavor with precise portion-control

Drop-in models feature a higher discharge point for additional serving clearance

NSF listed, clean-in-place certified or disassemble for cleaning

**NEW** Thick Pump (TP) models reduce dispensing force needed when working with especially thick or thicker products

### 1 1/2 QT FOUNTAIN JARS

*(details on p 2)*



CP-200 Slim 85330



FP-200V Slim 85310



FP-200 Slim 85350

### 2 QT FOUNTAIN JARS

*(details on p 3)*



CP-F Slim 85340



FP-V Slim 85300



FP-DI Slim 85370

### FAST FACTS

- 1 oz or 1 1/4 oz maximum portion; adjustable in 1/8 oz increments
- Fits slim fountain jars, sold separately *(details on p 4)*

### APPLICATIONS

- Dispense syrups, sauces, concentrates or other ingredients from a fountain jar with precise portion control
- Models for countertop, drop-in or fountainette applications
- Use interchangeable colored, engraved knobs to identify contents; black is standard *(details on p 4)*

**Stainless Steel Slim Fountain Jar Pumps**  
 Models CP-200 Slim, FP-200V Slim, FP-200 Slim, CP-F Slim, FP-V Slim, FP Slim, FPV-DI Slim, FP-DI Slim, TP-200V Slim & TP-V Slim



# Purposefully made to last.

**Stainless Steel Slim Fountain Jar Pumps—1 1/2 qt**  
 Models CP-200 Slim, FP-200V Slim, TP-200V Slim & FP-200 Slim

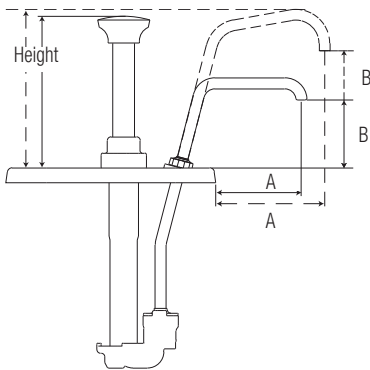
DISPENSES	<b>THIN</b> fountain syrups • oils • hot sauce
	<b>THICK</b> ketchup • mustard • mayonnaise • bbq
	<b>THICKER</b> tartar sauce • crafted sauces
APP	<b>AMBIENT</b>
	<b>COLD</b>
	<b>HOT</b>

## SPECIFIER STATEMENT

**85330 | 85310 | 86770 | 85350:** Server Products stainless steel pumps for 1 1/2 qt (1.4L) slim fountain jars dispense thin, thick, or thicker craft sauces from a countertop station or slanted fountainette. 1 oz (30 mL) maximum portion can reduce in 1/8 oz (3.7 mL) increments. NSF listed, clean-in-place certified and BPA Free. Two-year warranty. Ships FOB Richfield, WI 53076.



CP-200 Slim, FP-200V Slim, TP-200V Slim & FP-200 Slim



order quantity	dispenses	model/item	application	lid only	pump & lid fit	full portion	dim above jar (H x W x D)	weight	dim a	dim b
<input type="checkbox"/>		CP-200 Slim 85330		83196	1 1/2 qt fountain jar, shallow (1.4L)	1 oz 30 mL	5 1/8" x 3 1/16" x 7 1/8" 13 x 7.8 x 18.1 cm	3 lb 1.4 kg	3 7/8" 9.8 cm	4 1/16" 10.3 cm
<input type="checkbox"/>		FP-200V Slim 85310		83188	1 1/2 qt fountain jar, shallow (1.4L)	1 oz 30 mL	5 1/8" x 3 1/16" x 7 1/8" 13 x 7.8 x 18.1 cm	3 lb 1.4 kg	2 7/8"	2 5/16"
<input type="checkbox"/>		<b>NEW</b> TP-200V Slim 86770		85462					7.3 cm	5.9 cm
<input type="checkbox"/>		FP-200V Slim 85350		83192	1 1/2 qt fountain jar, shallow (1.4L) (slanted)		5 1/8" x 3 1/16" x 7 1/8" 13 x 7.8 x 18.1 cm	3 lb 1.4 kg	2 1/8" 5.4 cm	2 7/8" 7.3 cm

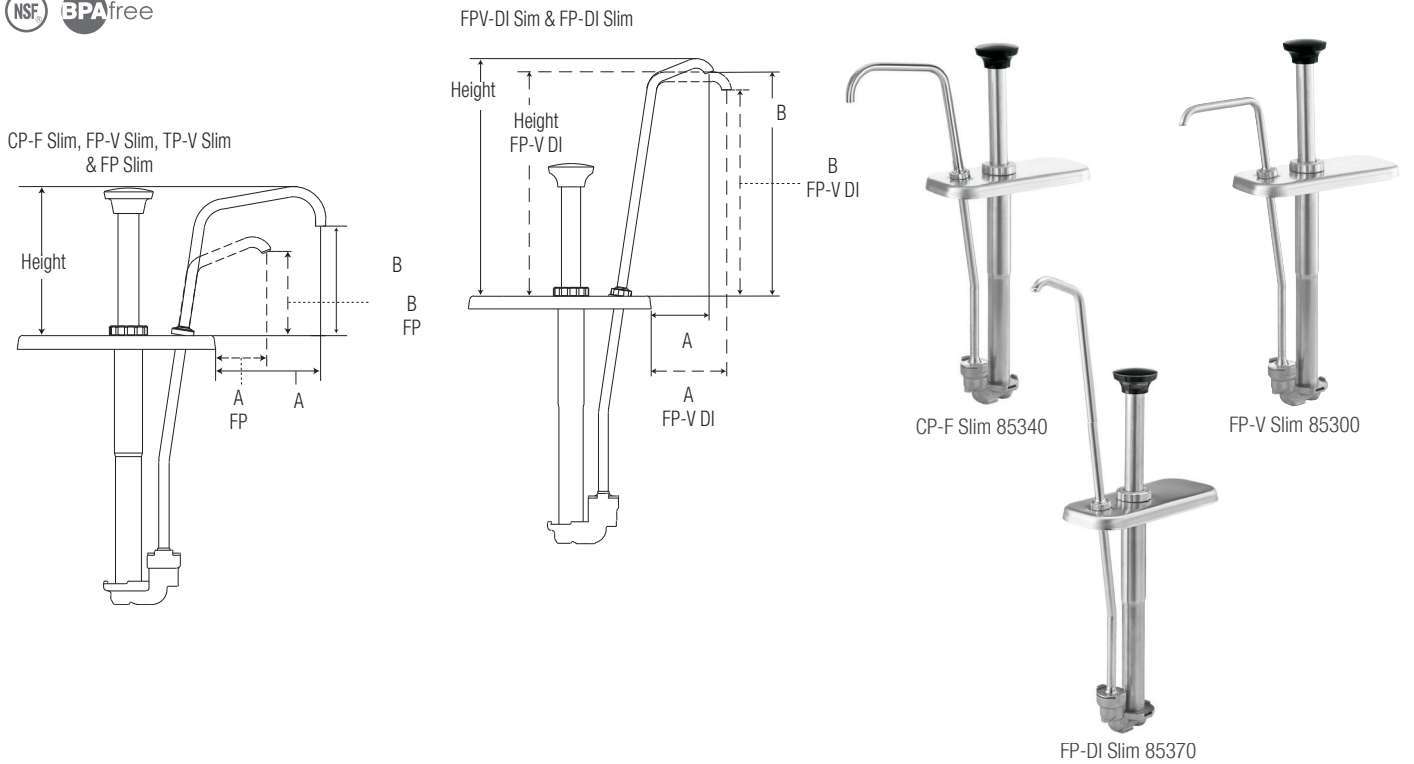
Dispensers above fit a slim fountain jar, **sold separately**; available in white, black and orange (featured on p 4).

# Get out all the good.

## Stainless Steel Slim Fountain Jar Pumps—2 qt Models CP-F Slim, FP-V Slim, TP-V Slim, FPV-DI Slim, FP Slim & FP-DI Slim

### SPECIFIER STATEMENT

**85340 | 85300 | 86780 | 85380 | 85360 | 85370:** Server Products stainless steel pumps for 2 qt (1.9 L) fountain jars dispense thin, thick, or thicker craft sauces from a countertop station or slanted fountainette. 1 1/4 oz (37 mL) maximum portion can reduce in 1/8 oz (3.7 mL) increments. NSF listed, clean-in-place certified and BPA Free. Two-year warranty. Ships FOB Richfield, WI 53076.



DISPENSES	<b>THIN</b> fountain syrups • oils • hot sauce
	<b>THICK</b> ketchup • mustard • mayonnaise • bbq
	<b>THICKER</b> tartar sauce • crafted sauces
APP	<b>AMBIENT</b>
	<b>COLD</b>
	<b>HOT</b>

order quantity	dispenses	model/item	application	lid only	pump & lid fit	full portion	dim above jar (H x W x D)	weight	dim a	dim b
<input type="checkbox"/>		CP-F Slim 85340		83195	2 qt fountain jar, deep (1.9L)	1 1/4 oz 37 mL	5 1/8" x 3 1/16" x 7 1/8" 13 x 7.8 x 18.1 cm	3 lb 1.4 kg	3 7/8" 9.8 cm	4 1/16" 10.3 cm
<input type="checkbox"/>		FP-V Slim 85300		83187	2 qt fountain jar, deep (1.9L) (use DI model for drop-in)	1 1/4 oz 37 mL	5 1/8" x 3 1/16" x 7 1/8" 13 x 7.8 x 18.1 cm	3 lb 1.4 kg	2 7/8"	2 9/16"
<input type="checkbox"/>		<b>NEW</b> TP-V Slim 86780		85457					7.3 cm	6.5 cm
<input type="checkbox"/>		FPV-DI Slim 85380		83194			9 1/4" x 3 1/16" x 7 1/8" 23.5 x 7.8 x 18.1 cm		3" 7.6 cm	8 1/2" 21.6 cm
<input type="checkbox"/>		FP Slim 85360		83191	2 qt jar, deep (slanted) (1.9L) (use DI model for drop-in)	1 1/4 oz 37 mL	5 1/8" x 3 1/16" x 7 1/8" 13 x 7.8 x 18.1 cm	3 lb 1.4 kg	1 7/8" 4.8 cm	3" 7.6 cm
<input type="checkbox"/>		FP-DI Slim 85370		83193			9 5/16" x 3 1/16" x 7 1/8" 23.7 x 7.8 x 18.1 cm		2 1/4" 5.7 cm	8 3/4" 22.2 cm

Dispensers above fit a slim fountain jar, **sold separately**; available in white, black and orange (featured on p 4).

# Purposefully made to last.

## Stainless Steel Slim Fountain Jar Pumps—Related Items

### SLIM FOUNTAIN JARS



83157



83162

order quantity	jar color	item	description	capacity
<input type="checkbox"/>	<input type="checkbox"/>	83181		
<input type="checkbox"/>	<input checked="" type="checkbox"/>	83157	slim, shallow fountain jar	1 ½ qt (1.7L)
<input type="checkbox"/>	<input checked="" type="checkbox"/>	83158		
<input type="checkbox"/>	<input type="checkbox"/>	83182		
<input type="checkbox"/>	<input checked="" type="checkbox"/>	83159	slim, deep fountain jar	2 qt (1.9L)
<input type="checkbox"/>	<input checked="" type="checkbox"/>	83162		

### Server's Slim Fountain Jars

High-impact polypropylene fountain jars feature molded-in feet to prevent tipping during filling. Tabs and side slots allow lids to fit securely; front notch allows lid to close over ladle or spoon handle. Fountain jars can be dropped into a countertop cutout, or placed into a topping station or fountainette. Cutout dimensions are 2 13/16" x 7" (7.1 x 17.8 cm) for both shallow and deep jars.

### COLORED KNOBS

Interchangeable engraved and colored knobs help staff and patrons identify contents, coordinate with store themes or promote branded products. Specify color and text at time of order – exact shade may vary from picture.



### INTEGRATE YOUR SLIM PUMPS INTO A STATION

Need to add a few extra pumpable flavors, but can't eliminate any from your station? Add more options with slim jars and pumps! Three slim fountain jars fit in the space of two standard fountain jars, so you can keep your chocolate sauce and have strawberry syrup, too!

