



Condiment Units Countertop Organizers

Models **CO-4**
CO-7, **CO-M**
PPO-5

Date:

Project:

Quantity:

Item Number:



CO-4 #85120

CO-7 #85130



CO-M #85220



PPO-5 #85140



Bid Description

Designed with Euro styling, Server countertop organizers have rounded corners and are constructed with brushed finish (#4) stainless steel and black ABS plastic.

Countertop organizers CO-4 and CO-7 have a slanted design for easier viewing and access to product in the back. Each open style unit is divided with bins approximately 3" (7.6 cm) deep. CO-4 has four rectangular bins of equal size. CO-7 has five rectangular bins of equal size and two vertical bins large enough to store straws up to 8" (20.3 cm) long.

CO-M is a modular organizer consisting of two bins. It also features a slanted design for easier viewing and access to product in the back. The front is 4" (10.2 cm) deep with three divider positions and includes two removable dividers. The back bin is 6" (15.2 cm) deep to hold silverware and drinking straws without tipping out.

Portion Pack Organizer, PPO-5 is top loading and channels portion packs to the front automatically replenishing supply. ABS plastic dividers separate unit into five equal compartments.

Standard Features

Euro style with stainless steel and black plastic construction

Brushed finish stainless steel reduces visibility of fingerprints

Slanted, open style models organize and allow for easy access

CO-M allows for custom bin sizes with three divider positions

PPO-5 channels portion packs to the front replenishing supply

PPO-5 is top loading for quick refills



Warranty

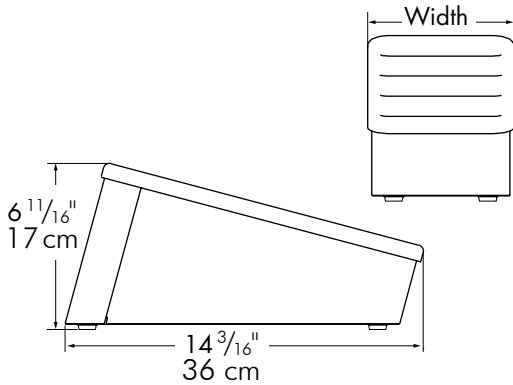
Server Products equipment is backed by a two-year limited warranty against defects in materials and workmanship. For a copy of our complete warranty statement, see our Website or contact us.



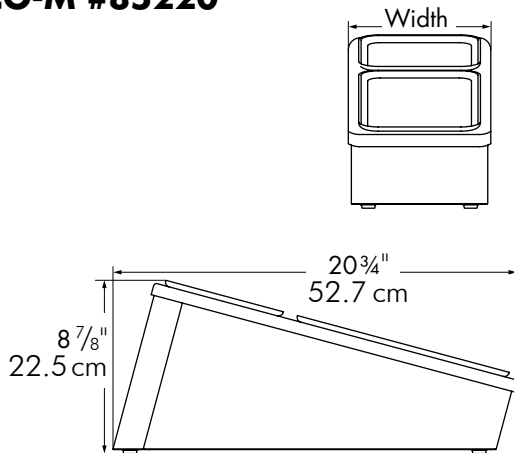
Condiment Units Countertop Organizers

Models CO-4
CO-7, CO-M
PPO-5

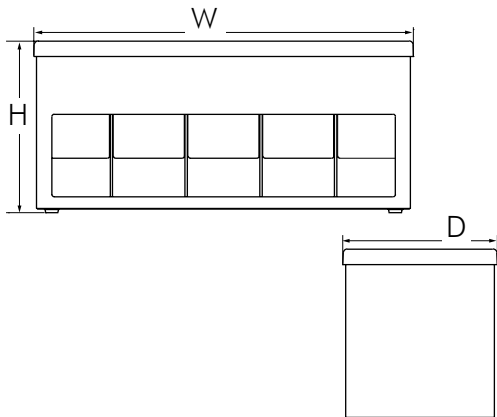
Countertop Organizers CO-4 #85120, CO-7 #85130



Countertop Modular CO-M #85220



Portion Pack Organizer PPO-5 #85140



Specifications

Construction Stainless steel with a brushed (#4) finish and black ABS plastic.

Models		CO-4 #85120	CO-7 #85130	CO-M #85220	PPO-5 #85140
Height	in	6 ¹¹ / ₁₆	6 ¹¹ / ₁₆	8 ⁷ / ₈	9 ³ / ₈
	cm	17	17	22.5	23.8
Width	in	5 ³ / ₄	10 ⁷ / ₈	7 ⁵ / ₆	20 ⁵ / ₁₆
	cm	14.6	27.6	18.6	51.6
Depth	in	14 ³ / ₁₆	14 ³ / ₁₆	20 ³ / ₄	8 ⁵ / ₁₆
	cm	36	36	52.7	21.1
Ship Weight		5 lb	7 lb	8 lb	11 lb
		2.3 kg	3.2 kg	3.7 kg	5 kg

FOB Richfield, Wisconsin 53076

CAD Library

We are a member of The KCL CADalog with more than 100 other manufacturers. Our CAD files can be purchased through Kochman Consultants, Ltd. at 847-470-1195, or e-mail sales@kclcad.com. Their website is at www.kclcad.com.

