

# Top-tier solutions for every need.

## Tiered Serving Stations



SR-2T

Save space – fit double the toppings in the same amount of linear counter space with tiered dispensers

Pumps control costs with precise portions; 1 ¼ oz max portion reduces in 1/8 oz increments

Showcase toppings while keeping them safe – present ingredients behind clear lids with 2PRS and SR-2S 1/9

Store ingredients between shifts with the 2PRS storage lid (85151)



2PRS

2PRS Storage pan and lid



SR-2S 1/9  
(2 units shown)

### FAST FACTS

- Precise portions ensure flavor consistency and help control food cost and waste; pumps dispense max 1 ¼ oz portion and reduce in 1/8 oz increments
- Choose from stay-open or self-close lids with the 2PRS

### APPLICATIONS

- 2PRS ideal for environments that require self-closing lids
- Show off ingredients in topping and garnish bars

Tiered Serving Stations Models SR-2S 1/9, 2PRS & SR-2T

# Top-tier solutions for every need.

## Tiered Topping Stations

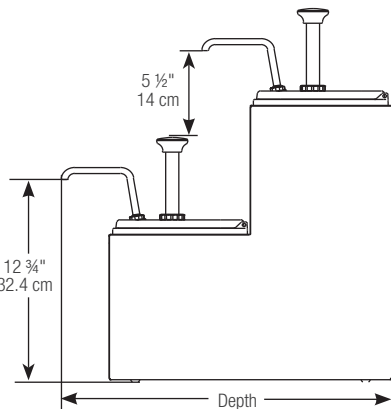
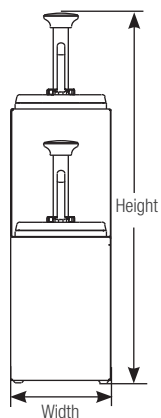
Models SR-2S 1/9, 2-RS & SR-2T

### SPECIFIER STATEMENT

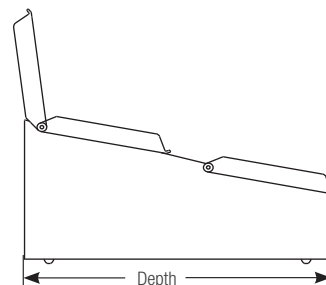
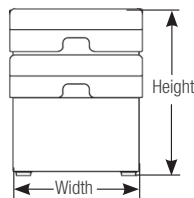
**85541 | 85150 | 89938:** Server Products Models SR-2S 1/9, 2PRS & SR-2T Tiered Topping Stations are constructed of stainless steel with removable pans or jars. The SR-2S 1/9 includes two plastic 1/9-size jars, 3 1/2" (8.9 cm) deep (87202), clear plastic center-hinged lids (87253) and 1/2 oz (15 mL) serving spoons (85156). 2PRS includes two black plastic pans, 4" (10 cm) deep (85151), clear plastic serving spoons (85156) and clear, self-close or stay-open lids. SR-2T includes two deep plastic fountain jars (82557) and two stainless steel pumps (82120) for thin syrups or sauces; max 1 1/4 oz portion reduces in 1/8 oz increments. NSF Listed. BPA free (SR-2T only). Two-year warranty. Ships FOB Richfield, WI 53076.



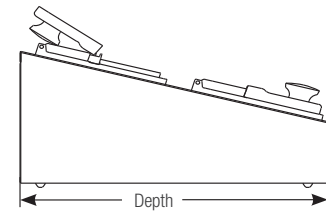
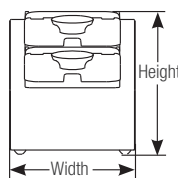
SR-2T



2PRS



SR-2S 1/9



order quantity	model/item	description	capacity	dimensions (H x W x D)	open height	weight
<input type="checkbox"/>	SR-2S 1/9 85541	Tiered Station, 1/9-size jars	(2) 1/9-size jars, 41 oz (1.28 qt) 1.2 L	8 9/16" x 5 5/16" x 15 3/4" 21.8 x 13.5 x 40 cm	10 13/16" 27.5 cm	5 lb 2.3 kg
<input type="checkbox"/>	2PRS 85150	Tiered Station, 2 pans (stay-open lids)	(2) PRS pans 32 oz (1 qt) .9 L	8 3/16" x 6 7/16" x 15 13/16" 20.8 x 16.4 x 40.2 cm	14 1/2" 36.8 cm	6 lb 2.7 kg
<input type="checkbox"/>	2PRS 85160	Tiered Station, 2 pans (self-closing lids)				
<input type="checkbox"/>	SR-2T 89938	Tiered Station with Pumps*	(2) deep fountain jars 3 1/2 qt (3.3 L)	23 9/16" x 5" x 15 3/4" 59.8 x 12.7 x 40 cm	N/A	14 lb 6.4 kg

\*For THIN products like fountain syrups or hot sauces.

### RELATED ITEMS



#### Insulated Serving Stations

Customize a serving station to suit your needs – combine fountain jars with pumps or lids and ladles. See sheet 02045 for standard stations, or sheet 02071 for mini stations.



#### WireWise™ Organizers

Save counter space with WireWise™ tiered organizers. Hold (3) 1 L syrup bottles, 1 gal jugs, 64 oz jugs or medium sized snack bags in the width of (1). For info, see sheet 02099.