



PUMPS {POUCHED PRODUCTS} REMOTE DISPENSING SYSTEMS

Model CP-RP

Date:

Project:

Quantity:

Item Number:



CP-RP 85781 (left) CP-RP 85783 (right)

WHAT DO YOU DISPENSE?

-  THIN (syrups)
-  THICK (ketchup/mayo)
-  PARTICULATE (tartar sauce)



Two Year Warranty

Server Products equipment is backed by a two-year limited warranty against defects in materials and workmanship. For our complete warranty statement please see our website.

Bid Description

Server Products Remote Dispensing Systems serve from one or two 1 1/2 gallon (6L) Cryovac® pouches with 16 mm fitment or 3 gallon (12 L) Volume Pack pouches with 38 mm fitment. New flush-mount design easily installs into countertops up to 1 3/4" (4.4 cm).

The stainless steel pump is constructed with a modified cast valve to form an airtight, sanitary seal with the pouch. Maximum stroke yields 1 ounce (30 mL) with gauging collars provided to reduce portions in 1/8 ounce (3.7 mL) increments. Pump knob can be colored and engraved to identify contents (pictured with Yellow and Red); black is standard.

Your condiment packaging determines pouch support kit style. Also choose from (1) or (2) pouches per pump for increased time between product change-outs. All connecting hardware included.

Standard Features

- Undercounter storage of condiments hides condiment pouches for increased time between product change-outs
- Sealed system virtually eliminates cross-contamination
- Unit can be removed and cleaned at the dish station
- Attaches to Cryovac® (16 mm) or Volume Pack (38 mm) bag fitments; 1 1/2 gallon (6 L) or 3 gallon (12 L)
- **New** flush-mount design easily installs into countertops up to 1 3/4" (4.4 cm) thick
- 1 oz (30 mL) maximum portion is adjustable in 1/8 ounce (3.7 mL) increments
- Colored, engraved knob to identify contents are available upon request (contact customer service for options)

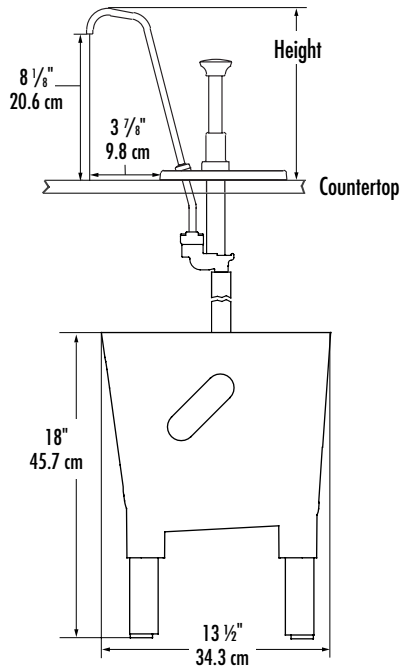
Specifications on reverse side



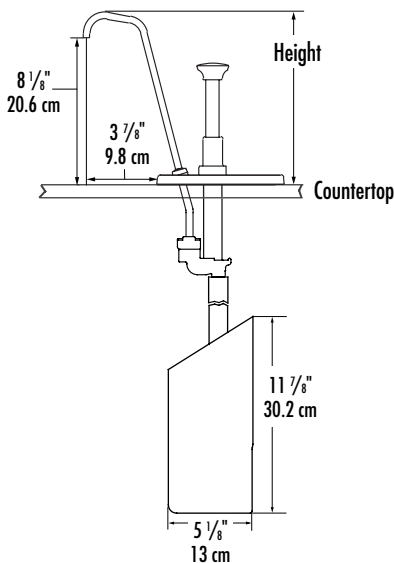
PUMPS {POUCHED PRODUCTS} REMOTE DISPENSING SYSTEMS

Model CP-RP

Volume Pack Fitment & Pouch Support



Cryovac™ Fitment & Pouch Support



Specifications

| | | | |
|----------------------------|---|-------------------|-------------------|
| Construction | Stainless steel pump with cast valve body. Cryovac® pouch support is black plastic; Volume Pack is white. | | |
| Dimensions (above counter) | Height | Width | Depth |
| | 9 9/16" 24.3 cm | 4 1/2" 11.4 cm | 1 1/2" 29.2 cm |
| Cutout Size | 5 3/8" x 3" (13.7 cm x 7.6 cm) | | |

| Models | Cryovac Fitment | | Volume Pack Fitment | |
|-------------------|--------------------|------------------------------|---------------------|-----------------------------|
| | Single 85781 | Twin 85782 | Single 85783 | Twin 85784 |
| Pouch Holder Dims | | | | |
| Height | 11 7/8" 30.2 cm | 11 7/8" 30.2 cm | 18" 45.7 cm | 18" 45.7 cm |
| Width | 12 1/4" 31.1 cm | 12 1/4" 31.1 cm | 10 1/2" 26.7 cm | 10 1/2" 26.7 cm |
| Depth | 5 1/8" 13 cm | 5 1/8" 13 cm | 13 1/2" 34.3 cm | 13 1/2" 34.3 cm |
| Hose Length | 42" 106 cm | (1) 42 (2)24"* 106, 61 cm | 42" 106 cm | (1)42 (2)24"* 106, 61 cm |
| Weight | 9 lb 4.1 kg | 11 lb 5 kg | 12 lb 5.4 kg | 18 lb 8.2 kg |
| Capacity | 1 1/2 gal 6 L | (2) 1 1/2 gal (2) 6 L | 3 gal 12 L | (2) 3 gal (2) 12 L |

* One 42" (106 cm) vertical hose forms a "T" to (2) 24" (61 cm) horizontal hoses. Cryovac® is a registered trademark and a trade name of Cryovac Inc.

FOB Richfield, Wisconsin 53076

CAD Library

Individual CAD images are available free of charge from our website. Our complete collection of CAD files, along with more than 100 other manufacturers, can be purchased through Kochman Consultants, Ltd. at kclcad.com.



Server Products, Inc. • P.O. Box 98 • Richfield, WI 53076 • Toll Free: 800-558-8722
P: 262-628-5600 • F: 262-628-5110 • spsales@server-products.com • server-products.com
Server Products, Inc. reserves the right to modify specifications without obligation. Printed in USA

5-2011 Stock #02083

KaTom Restaurant Supply, Inc.