



TOPPING STATIONS {WHIPPED SOLUTIONS} RICH'S® TOPPING TUNNEL™

Model TT

Date:

Project:

Quantity:

Item Number:



TT 86624



Patent Pending



Warranty

Server Products equipment is backed by a two-year limited warranty against defects in materials and workmanship. For our complete warranty statement, see our web site or contact us.

Bid Description

Server Products, together with Rich Products Corporation, a leader in whipped topping, have collaborated to bring you convenient dispensing options which meet your operational needs.

The Topping Tunnel™ is a handy holder and dispenser for specified Rich's® Whipped Topping products (see back for list). Each Topping Tunnel™ is NSF listed and readily adapts to a wide variety of foodservice equipment. Simply place the Rich's® pastry bag into the dispensing unit (tip down), give a gentle squeeze and you're ready to dollop a wide variety of food items quickly and safely. When you're done dolloping, the Topping Tunnel™ quickly detaches from the bracket for cleaning.

Standard Features

Accommodates specified Rich's® Whipped Topping products

Patent pending design permits single-handed dispensing

Achieves superior evacuation of the pastry bag

Topping Tunnel™ removes easily from mounting bracket for quick clean-up

Mounting bracket is secured with heavy duty suction cups for effortless installation and removal when cleaning

Dishwasher safe

Studies Show

Operators that offered cold and frozen beverages with Whipped Topping grew servings over 79% the past five years!

Source: NPD Food World CREST — 52 Weeks ending July 2006

Operators that offered hot beverages with Whipped Topping grew servings over 52% in the past five years!

Source: NPD Food World CREST — 52 Weeks ending July 2006

Rich's® On Top® Whipped Topping significantly outperformed all other topping alternatives in overall consumer liking scores for visual appearance!

Source: Rich's® Proprietary Research 2007

When garnished with 1-oz (7 mL) of Rich's® On Top® Whipped Topping; consumers were willing to pay an average of \$1.10 more for a milkshake and \$1.50 more for a hot chocolate!

Source: Ignite Communications 2006

Specifications on reverse side

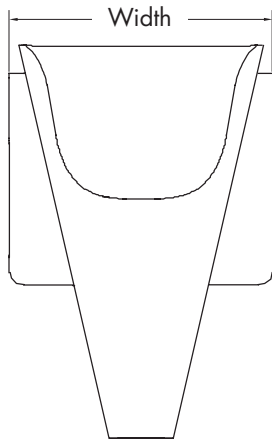
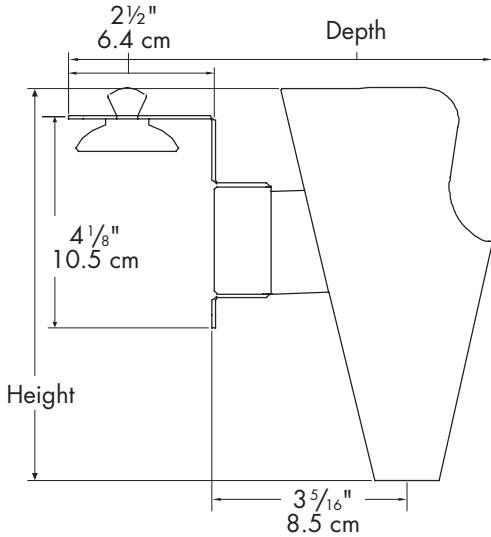


Model TT

TOPPING STATIONS {WHIPPED SOLUTIONS}

RICH'S® TOPPING TUNNEL™

Topping Tunnel™ TT 86624



Specifications

Model	TT 86624		
Construction	Stainless steel mounting bracket, ABS/Poly blend Topping Tunnel™ & rubber suction cups.		
Capacity	Up to 16 oz (454 g) Rich's® Whipped Topping		
Dimensions	<u>Height</u>	<u>Width</u>	<u>Depth</u>
	in 7 ⁵ / ₈	4 ¹ / ₂	7 ¹ / ₄
	cm 19.4	11.4	18.4
Weight	2 lb (.9 kg)		

RICH'S® Pre-Whipped Topping Products

Contact your Rich's® representative, to purchase Whipped Topping products for the Topping Tunnel™. Now with Rich's® patent pending D-Disc™, for easier handling.

NOTE: Be sure to refrigerate your Rich's® On Top® and Niagara Farms® Whipped Topping, when not in use.

PC#62567	On Top® Vanilla	(15) 8 oz (227G)
PC#02559	On Top® Vanilla	(12) 16 oz (454G)
PC#01855	On Top® Chocolate	(10) 16 oz (454G)
PC#02090	Sugar-Free On Top® Vanilla	(12) 16 oz (454G)
PC#59612	Niagara Farms®	(12) 16 oz (454G)
PC#02897	Niagara Farms®	(15) 8 oz (227G)

Topping Tunnel is a trademark owned by Rich Products Corporation.

FOB Richfield, Wisconsin 53076

CAD Library

Individual CAD images can be downloaded from product pages on our web site. We are also a member of The KCL CADalog with more than 100 other manufacturers. Our complete collection of CAD files can be purchased through Kochman Consultants, Ltd. at kclcad.com.

