



FOOD WARMERS: FOOD SERVERS FULL PAN, SUPREME™

Models FS-20SS



FS-20SS 90080



FS-20SS 90020

BID DESCRIPTION

Server Supreme™ water bath warmers are constructed of stainless steel with a brushed (#4) finish. Their high powered heating element is controlled by an adjustable, precalibrated thermostat. Set thermostat by temperature settings. Each feature a "Power On" light, adjustable leveling legs and a water fill line.

The full-size Supreme's are 1500 watts, accept standard size food pans up to 12" x 20" (30.5 x 50.8 cm) and include a "Check Water" light. Pans not included. FS-20SS 90080 includes an adapter plate 90195 and (2) 7 qt (6.6 L) inset and lid assemblies; 90020 is without adapter plate and insets.

STANDARD FEATURES

- High wattage provides fast efficient heating
- Full-size unit accepts up to a full-size pan for maximum flexibility
- Adjustable precalibrated thermostat for accurate heat control
- Water fill line eliminates overflow accidents
- "Power On" indicator light for safety
- Adjustable legs aid user in leveling unit on uneven surfaces
- Inset lids stay upright during ladling and feature a rim that collects moisture and returns it to the food
- Side handle assists in opening lid ergonomically—no reaching

ACCESSORY ITEMS

- 7 quart (6.6 L) Inset & Lid Assembly 84040
- 11 quart (10.4 L) Inset & Lid Assembly 84149
- Adapter Plate for (2) 7 quart (6.6 L) insets 90195



TWO YEAR WARRANTY

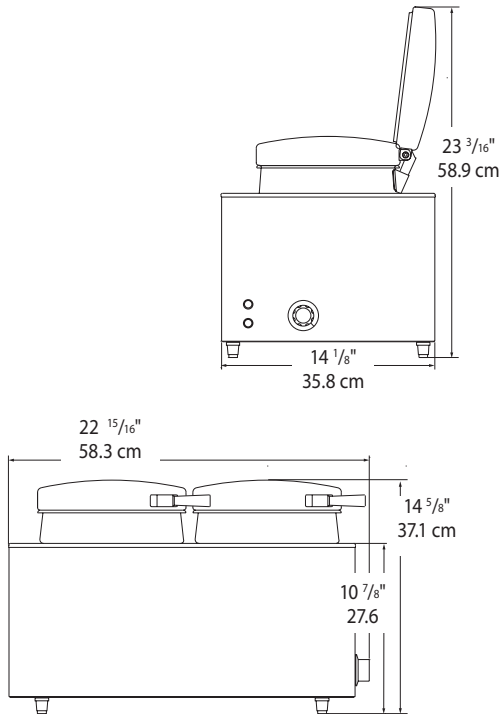
Server Products equipment is backed by a two-year limited warranty against defects in materials and workmanship. For a copy of our complete warranty statement, please refer to server-products.com.

FOOD WARMERS: FOOD SERVERS

FULL PAN, SUPREME™

Models FS-20SS

**FULL-SIZE WARMER
FS-20SS**



MODELS	FS-20SS 90020	FS-20SS 90080
Capacity	Any combination of steam table pans to equal a full-size pan	(2) 7-qt (6.6 L) insets; 14 qt (13.2 L) total
Height	10 ⁷ / ₈ " 27.6 cm	14 ¹ / ₂ " 36.8 cm
Overall Height	N/A	23 ³ / ₁₆ " 58.9 cm
Width	14 ¹ / ₈ " 35.8 cm	14 ¹ / ₈ " 35.8 cm
Depth	22 ¹⁵ / ₁₆ " 58.3 cm	22 ¹⁵ / ₁₆ " 58.3 cm
Electrical	1500W 12.5A	1500W 12.5A
Weight	34 lb 15.4 kg	42 lb 19.1 kg

FOB RICHFIELD, WISCONSIN 53076

CAD LIBRARY

Individual CAD images can be downloaded from our website. We are also a member of The KCL CADalog with more than 100 other manufacturers. Our complete collection of CAD files can be purchased through Kochman Consultants, Ltd. at kclcad.com.