

# DIP DESSERTS. BOOST PROFITS.

## CONE DIP WARMER

Increase margins and add variety to your dessert selection – coat treats with up to three flavors

Hinged lid stays open for dipping convenience



Flange keeps cone dip container from moving and prevents dip from dripping

Low-temp heating element eliminates burning – no water-bath needed



1.800.558.8722  
Server-Products.com



### CONE DIP WARMERS

Models DI-1, DI-2 & DI-3

#### Food Applications

- Dip ice cream cones, fruits, pretzels and other treats to add flavor variety
- Keeps up to three flavors of cone dip warm all day
- Perfect for LTO flavors and menu items

#### Fast Facts

Server's Cone Dip Warmer is the perfect piece of equipment to add a bit of variety to your menu – Adding dipped cones and other treats instantly adds value.

Built for convenience, the top and bottom are removable for cleaning, and the hinged lid stays open while dipping. The flange in the top keeps #10 cans or 3 qt jars (not included) from sliding, and prevents dip from dripping into the vessel.

Temperature settings marked as low or high range from ambient to 150°F.



CONE DIP WARMERS  
Models DI-1, DI-2 & DI-3

# TIME TO LAYER ON THE GOODNESS.

## CONE DIP WARMERS

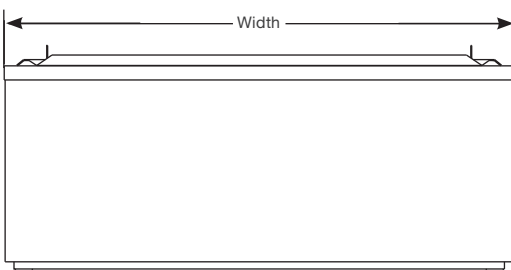
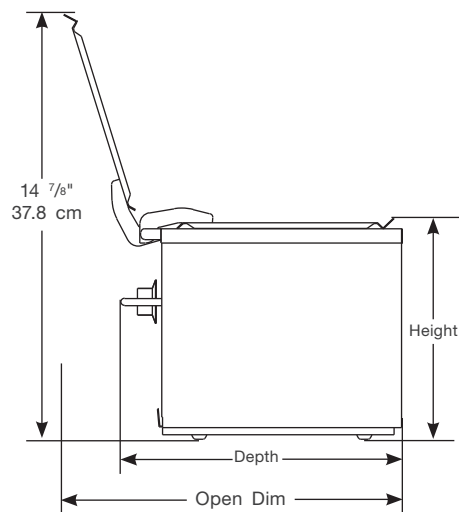
Models DI-1, DI-2 & DI-3

### Specifier Statement

Server Products Cone Dip Models DI-1, DI-2, and DI-3 are constructed of stainless steel with a hinged lid that stays open while dipping and removable top and bottom panels. The top features a flange to hold cone dip in place and prevent dripping into the unit. A tubular heating element is controlled by an adjustable thermostat and provides heat through natural convection. Temperatures range from ambient to 150°F (66°C). Capacity of #10 manufacturer cans or 3 qt stainless steel jars (not included) indicated by the number following the model. NSF listed. C-UL-US listed. Two-year warranty. Ships FOB Richfield, WI 53076.

### Product Code

- (1) can Dip Warmer DI-1 92000
- (2) can Dip Warmer DI-2 92020
- (3) can Dip Warmer DI-3 92040



### Specifications

Part Number	Capacity	Dimensions (height x width x depth)	Open Dim	Weight	Electrical
92000	(1) 3 qt	8 1/8" x 7 5/8" x 9 11/16"	11"	7 lb	120V
	(1) 2.8 L	20.6 x 19.4 x 24.6 cm	27.9 cm	3.6 kg	100W .8A
92020	(2) 3 qt	8 1/8" x 14 5/8" x 9 7/16"	10 3/4"	9 lb	120V
	(2) 2.8 L	20.6 x 37.1 x 24 cm	27.3 cm	5 kg	120W 1A
92040	(3) 3 qt	8 1/8" x 21 5/8" x 9 7/16"	10 3/4"	11 lb	120V
	(3) 2.8 L	20.6 x 55 x 24 cm	27.3 cm	6.8 kg	180W 1.5A

Plug is NEMA 5-15P with 72" (183 cm) cord

230V models also available



### Accessory Items

- Stainless Steel Jar, 3 qt 94009
- Storage Lid, Stainless Steel Jar 94008

### Related Items

Server's FSP Topping Warmer with Pump and FSPW Topping Merchandiser let you top desserts with fudge, caramel and other sauces from a #10 can, or from a pouch with our [Can2Pouch™](#) Conversion Kit.



FSP  
82060



Can2Pouch Conversion Kit  
81184



FSPW  
81140



Server Products, Inc. 800.558.8722 | Intl: 262.628.5600  
3601 Pleasant Hill Road | Richfield WI 53076  
spsales@server-products.com | server-products.com