



COLOR-CODED HIGH-HEAT SPATULAS

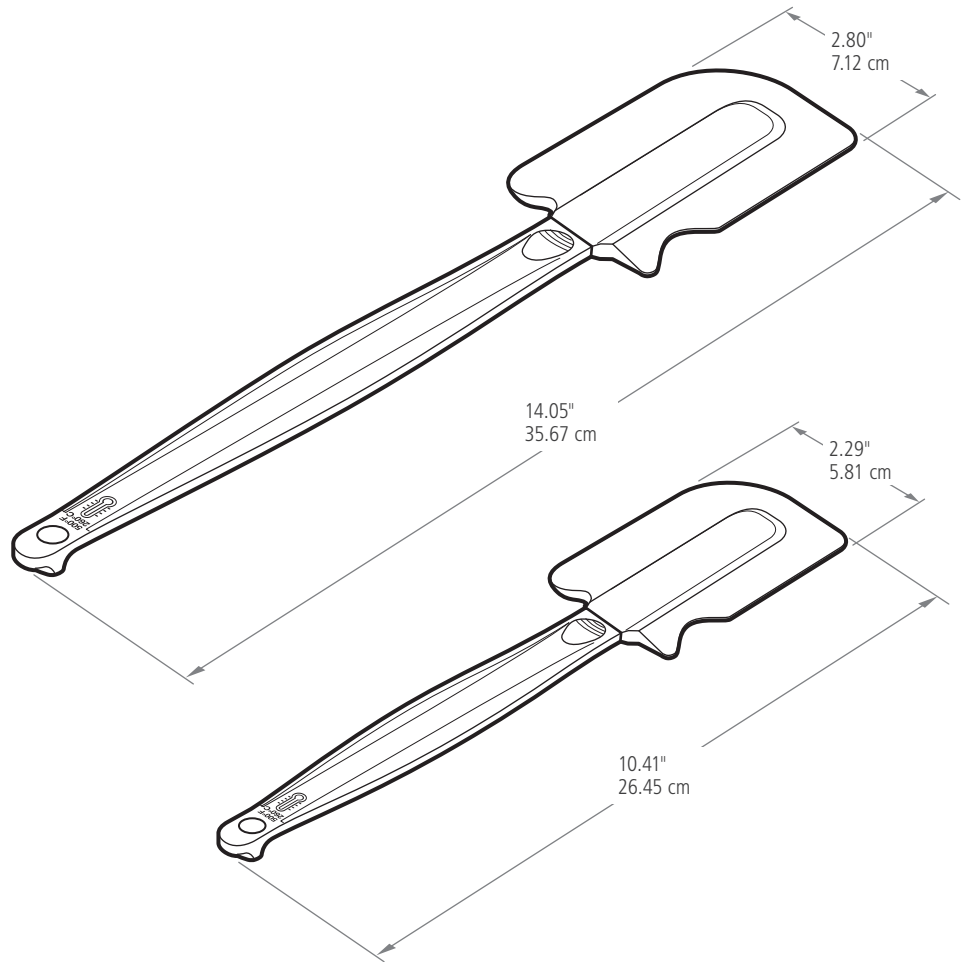
The Color-Coded Foodservice System enables users to protect their patrons from foodborne illnesses and allergens. Color-coded high-heat spatulas reduce the risk of cross-contamination during food preparation.

Features and Benefits:

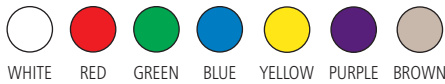
- Part of a complete color-coded foodservice system
- Resists temperatures to 500°F/260°C
- Clean-Rest™ feature keeps blade off countertops
- Notched, stain-resistant scraper blades cleanly scrape sides of pans without scratching them
- Commercial dishwasher-safe

Material Composition:

Silicone Blade and Nylon Handle



COLORS AVAILABLE:



SKU #	DESCRIPTION	COLOR	LENGTH		WIDTH		WEIGHT		PACK SIZE
			IN	CM	IN	CM	LB	KG	
1981138	COLOR-CODED HIGH-HEAT SPATULA, 9.5"	WHITE	10.41	26.45	2.29	5.81	0.13	0.06	12
FG1962000000	COLOR-CODED HIGH-HEAT SPATULA, 9.5"	RED	10.41	26.45	2.29	5.81	0.13	0.06	24
1981140	COLOR CODED HIGH HEAT SPATULA, 9.5"	GREEN	10.41	26.45	2.29	5.81	0.13	0.06	12
1981141	COLOR-CODED HIGH-HEAT SPATULA, 9.5"	BLUE	10.41	26.45	2.29	5.81	0.13	0.06	12
1981142	COLOR-CODED HIGH-HEAT SPATULA, 9.5"	YELLOW	10.41	26.45	2.29	5.81	0.13	0.06	12
1981143	COLOR-CODED HIGH-HEAT SPATULA, 9.5"	PURPLE	10.41	26.45	2.29	5.81	0.13	0.06	12
1981144	COLOR-CODED HIGH-HEAT SPATULA, 9.5"	BROWN	10.41	26.45	2.29	5.81	0.13	0.06	12
1980415	COLOR-CODED HIGH-HEAT SPATULA, 13.5"	WHITE	14.05	35.67	2.80	7.12	0.21	0.10	12
FG1963000000	COLOR-CODED HIGH-HEAT SPATULA, 13.5"	RED	14.05	35.67	2.80	7.12	0.21	0.10	24
1980417	COLOR-CODED HIGH-HEAT SPATULA, 13.5"	GREEN	14.05	35.67	2.80	7.12	0.21	0.10	12
1980418	COLOR-CODED HIGH-HEAT SPATULA, 13.5"	BLUE	14.05	35.67	2.80	7.12	0.21	0.10	12
1980419	COLOR-CODED HIGH-HEAT SPATULA, 13.5"	YELLOW	14.05	35.67	2.80	7.12	0.21	0.10	12
1980420	COLOR-CODED HIGH-HEAT SPATULA, 13.5"	PURPLE	14.05	35.67	2.80	7.12	0.21	0.10	12
1980421	COLOR-CODED HIGH-HEAT SPATULA, 13.5"	BROWN	14.05	35.67	2.80	7.12	0.21	0.10	12

