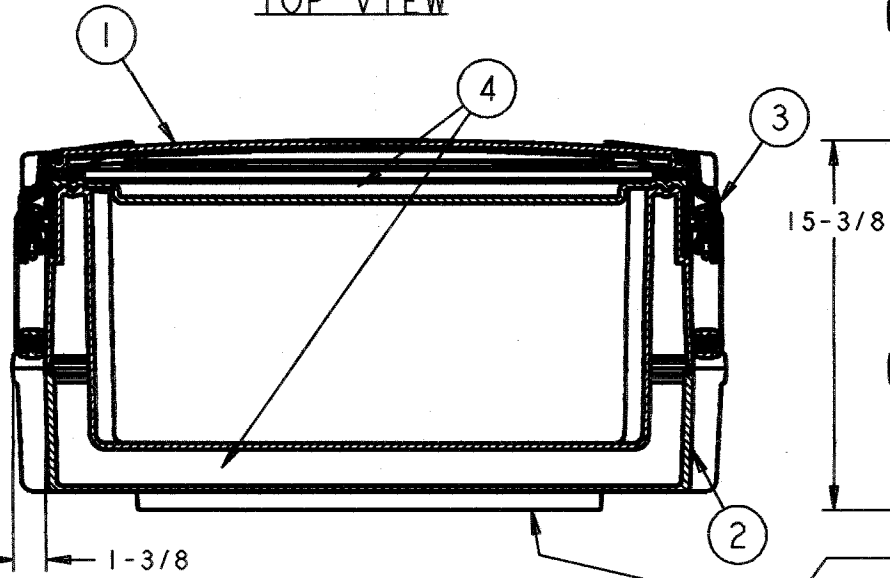
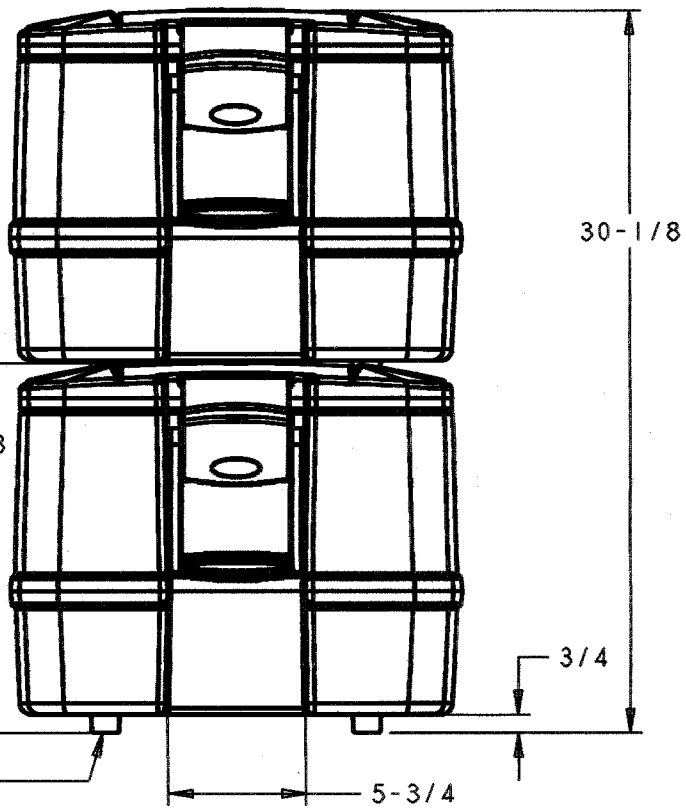


TOP VIEW



SIDE SECTION VIEW



END VIEW


STACKING RUNNERS

No.	Description/Materials
1	LID ASSEMBLY-PE
2	BASE ASSEMBLY-PE
3	HANDLE/LATCH ASSEMBLY-ABS (REPLACEABLE)
4	INSULATION-EPS

INSIDE DIMENSIONS:
21-1/4 X 13-1/8 X 10

total part wt.	33 LBS
capacity	55 QUARTS

agency approvals	NSF (PENDING)
miscellaneous	ACCOMMODATES FOUR (4) 2-1/2" DEEP 1/1 GASTRONORM FOOD PANS

Product Specifications	
 RUBBERMAID COMMERCIAL PRODUCTS INC.	
product name	"CATERMAX 50"-4 PAN
product no.	9407 revision 0

Product no. 9407