



STAINLESS STEEL
SMART SERIES™
UNDERMOUNT SINK BOWLS
SUPER SIZE



Item #: _____ Qty #: _____
 Model #: _____
 Project #: _____



FEATURES:

One piece seamless **Deep Drawn** stainless steel bowls.
 All bowls are supplied with sound deadening pads.
 Units feature Advance Tabco's **Smart Finish™**.

MATERIALS:

Type 304 Series Stainless steel.

DIMENSIONS
and SPECIFICATIONS

TOL ± .125"

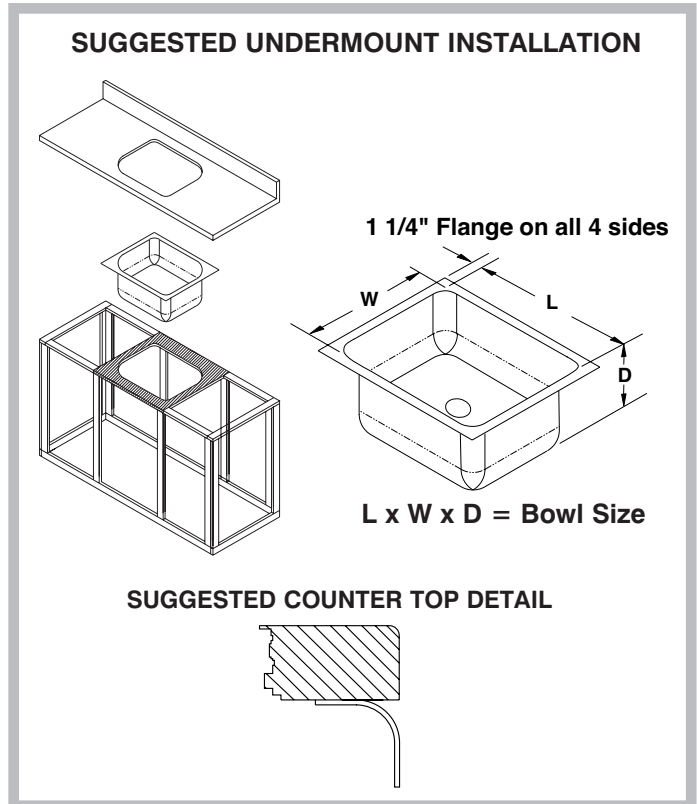
ALL DIMENSIONS ARE TYPICAL

OEM Bowls welded by others into stainless steel products.
 Multiple compartment assemblies available. Call for pricing.

Templates are provided at customer's request

Model #	Gauge	Bowl Size LxWxD	Radius	O.D. Trim Size
1014B-05	20	10" x 14" x 5"	2"	12 1/2" x 16 1/2"
1014A-10	20	10" x 14" x 10"	2"	12 1/2" x 16 1/2"
1014A-10A	18	10" x 14" x 10"	2"	12 1/2" x 16 1/2"
CO-1014A-10RE*	18	10" x 14" x 10"	2"	12 1/2" x 16 1/2"
CO-1416A-10RE*	18	14" x 16" x 10"	3"	18 1/2" x 22 1/2"
1620A-10	18	16" x 20" x 10"	3"	18 1/2" x 22 1/2"
1620A-12	18	16" x 20" x 12"	3"	18 1/2" x 22 1/2"
1620A-14A	14	16" x 20" x 14"	3"	18 1/2" x 22 1/2"
1824A-12	18	18" x 24" x 12"	3"	20 1/2" x 26 1/2"
1824A-14A	14	18" x 24" x 14"	3"	20 1/2" x 26 1/2"
2020A-12	18	20" x 20" x 12"	3"	22 1/2" x 22 1/2"
2020A-14	18	20" x 20" x 14"	3"	22 1/2" x 22 1/2"
2028A-12	16	20" x 28" x 12"	3"	22 1/2" x 30 1/2"
2028A-14A	14	20" x 28" x 14"	3"	22 1/2" x 30 1/2"
2424A-14A	14	24" x 24" x 14"	3"	26 1/2" x 26 1/2"

* Includes Residential Finish & Packaging. Add **K-350** for Other Models to Add Residential Finish & Packaging.



Customer Service Available To Assist You **1-800-645-3166** 8:30 am - 8:00 pm E.S.T.

For Orders & Customer Service:
 Email: customer@advancetabco.com or Fax: 631-242-6900

For Smart Fabrication™ Quotes:
 Email: smartfab@advancetabco.com or Fax: 631-586-2933