



STAINLESS STEEL
SMART SERIES™
UNDERMOUNT SINK BOWLS
SUPER SIZE



Item #: _____ *Qty #:* _____
Model #: _____
Project #: _____



FEATURES:

One piece seamless **Deep Drawn** stainless steel bowls.
 All bowls are supplied with sound deadening pads.
 Units feature Advance Tabco's **Smart Finish™**.

MATERIALS:

Type 304 Series Stainless steel.

DIMENSIONS
and SPECIFICATIONS

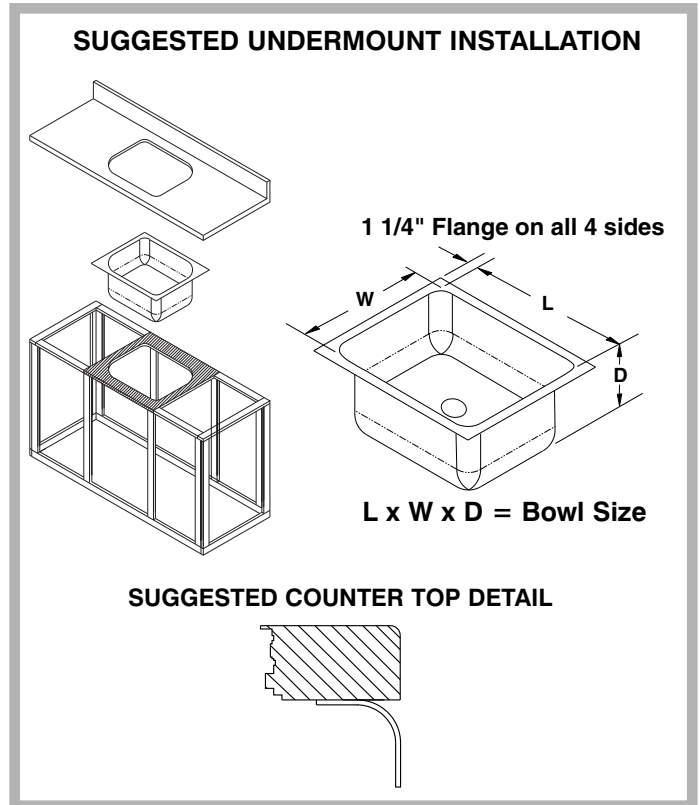
TOL ± .125"

ALL DIMENSIONS ARE TYPICAL

OEM Bowls welded by others into stainless steel products.
 Multiple compartment assemblies available. Call for pricing.

Templates are provided at customer's request

Model#	Gauge	Bowl Size LxWxD	Radius	Overall Trim Size
1014B-05	20	10" x 14" x 5"	2"	12 1/2" x 16 1/2"
1014A-10	20	10" x 14" x 10"	2"	12 1/2" x 16 1/2"
1014A-10A	18	10" x 14" x 10"	2"	12 1/2" x 16 1/2"
1620A-10	18	16" x 20" x 10"	3"	18 1/2" x 22 1/2"
1620A-12	18	16" x 20" x 12"	3"	18 1/2" x 22 1/2"
1620A-14A	14	16" x 20" x 14"	3"	18 1/2" x 22 1/2"
1824A-12	18	18" x 24" x 12"	3"	20 1/2" x 26 1/2"
1824A-14A	14	18" x 24" x 14"	3"	20 1/2" x 26 1/2"
2020A-12	18	20" x 20" x 12"	3"	22 1/2" x 22 1/2"
2020A-14	18	20" x 20" x 14"	3"	22 1/2" x 22 1/2"
2028A-12	16	20" x 28" x 12"	3"	22 1/2" x 30 1/2"
2028A-14A	14	20" x 28" x 14"	3"	22 1/2" x 30 1/2"
2424A-14A	14	24" x 24" x 14"	3"	26 1/2" x 26 1/2"



<p>ADVANCE TABCO SMART FABRICATION™ www.advancetabco.com</p>	<p>Customer Service Available To Assist You 1-800-645-3166 8:30 am - 8:00 pm E.S.T. Email Orders To: customer@advancetabco.com. For Smart Fabrication™ Quotes, Email To: smartfab@advancetabco.com or Fax To: 631-586-2933</p>			
	<p>NEW YORK Fax: (631) 242-6900</p>	<p>GEORGIA Fax: (770) 775-5625</p>	<p>TEXAS Fax: (972) 932-4795</p>	<p>NEVADA Fax: (775) 972-1578</p>