



STAINLESS STEEL

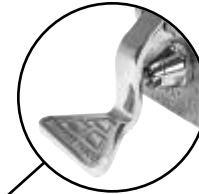
# UTILITY/LAUNDRY ROOM PEDESTAL BASE SINKS



**7-PS-18ARE**  
Standard Pedestal Base Unit  
With Optional Faucet



**Includes Single Hole  
Gooseneck Faucet**



**Includes Foot  
Operated Pedal  
Valve**

**7-PS-18RE**  
Pedestal Base Unit With Foot Pedal  
Operation & Faucet

**FEATURES:**

- One piece **Deep Drawn** sink bowl design.
- Sink bowl is 14" x 16" x 6".
- Sink bowl has a large liberal radii with a minimum dimension of 2" and are rectangular in design for increased capacity.
- 4" O.C. Faucet Holes (Faucet Not Included).
- Keyhole wall mount bracket.
- Stainless steel basket drain 1-1/2" IPS.
- Flush-to-wall unit.
- Easy removable panel to access hidden plumbing.
- Matching Stainless Steel Panel Handle.

**7-PS-18RE Includes:** "Hands Free" Splash Mounted Gooseneck Faucet furnished with aerator and Foot Pedal Valve for water operation.

**CONSTRUCTION:**

- All TIG welded.
- Welded areas blended to match adjacent surfaces and to a satin finish.
- Die formed Countertop Edge with a No-Drip offset.
- One sheet of stainless steel - No Seams.

**MATERIAL:**

- Heavy gauge type 304 series stainless steel.
- Wall mounting bracket is galvanized and of offset design.
- All fittings are brass / chrome plated unless otherwise indicated.

**MECHANICAL:**

- Faucet supply is 1/2" IPS male thread hot and cold.
- 7-PS-18RE Only:** Single Pedal Mixing Valve with brass & rough chrome plated with built in check valve. Front operated temperature adjustment.

**(Contractor on site must connect faucet to foot pedal operated valves.)**

**Reccomended Faucet for Model 7-PS-18ARE:**

Model	Description
K-316RE	Splash Mount Faucet with Wrist Handles



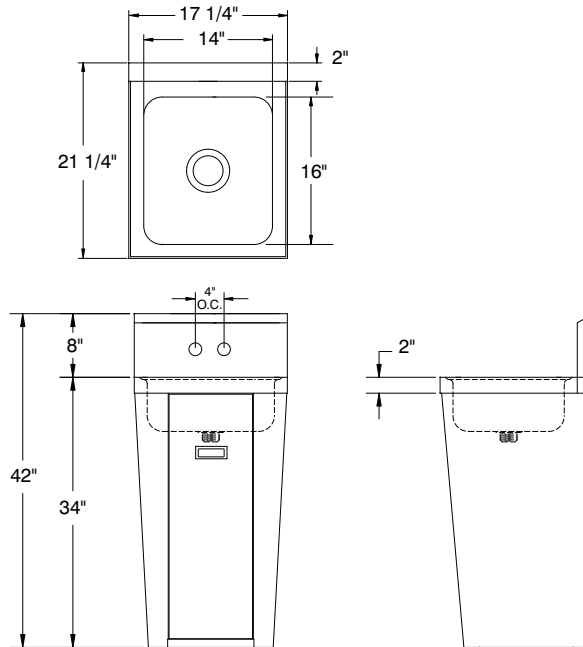
# DIMENSIONS and SPECIFICATIONS

TOL ± .500"

ALL DIMENSIONS ARE TYPICAL

## STANDARD PEDESTAL BASE UNITS

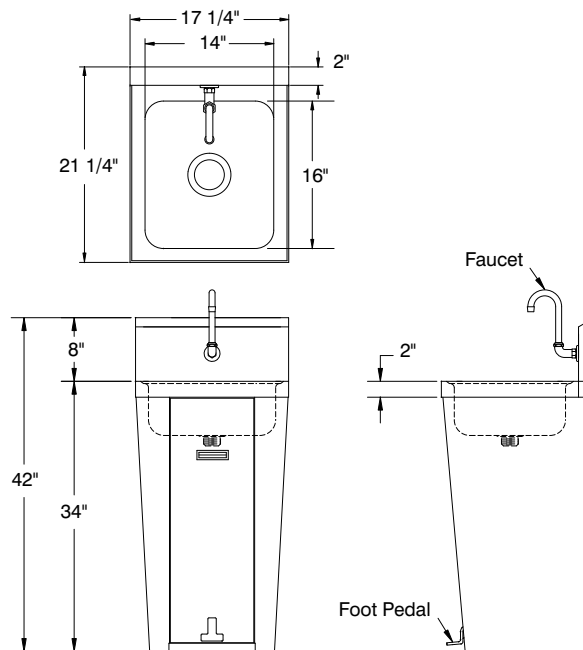
7-PS-18ARE



39 lbs.

## PEDESTAL BASE UNITS WITH FOOT PEDAL OPERATION

7-PS-18RE



41 lbs.



200 Heartland Boulevard, Edgewood, NY 11717-8380

ADVANCE TABCO is constantly engaged in a program of improving our products. Therefore, we reserve the right to change specifications without prior notice.

© ADVANCE TABCO, DECEMBER 2006