



STAINLESS STEEL  
**HAND SINK SIDE SPLASHES**  
**WELDED & BOLT-ON**

**FEATURES:**

Shields surrounding work area from splashes and prevents cross-contamination.

Available as 7-3/4" and 12" high.

**Welded Side Splashes** - Factory installed only.

**Bolt-on Single Panel Side Splash**

- Includes holes only. Hardware not included

**CONSTRUCTION:**

**Welded Side Splashes** (factory installed) are spot welded and polished to a satin finish.

**Bolt-on Side Splashes** (field installation) require drilling holes in hand sink to match holes in side splash. Mounting hardware is not included.

**MATERIAL:**

16 gauge, 300 series stainless steel

<b>Item #:</b> _____	<b>Qty #:</b> _____
<b>Model #:</b> _____	
<b>Project #:</b> _____	



**Welded Side Splashes**  
 Factory Installed Only



**Single Panel Bolt-On Splash**  
 Hardware Not Included

**WELDED**

**One Side Splash**

**Two Side Splashes**

	Model #	Approx. Weight	Approx. Cu. Ft.	Model #	Approx. Weight	Approx. Cu. Ft.	O.A. Splash Size W x H	Description
<b>7-3/4" High Welded Side Splashes</b>	7-PS-16	5 lbs.	1	7-PS-17	12 lbs.	1	15-1/4" x 9-3/4"	For 10" x 14" Bowls w/ Splash Mt. Faucets
	7-PS-16A	5 lbs.	1	7-PS-17A	12 lbs.	1	16-1/8" x 9-3/4"	For 9" x 9" Bowls
	7-PS-16B	5 lbs.	1	7-PS-17B	13 lbs.	1	17-1/8" x 9-3/4"	For 10" x 14" Bowls w/ Deck Mt. Faucets
	7-PS-16C	7 lbs.	1	7-PS-17C	15 lbs.	1	21-3/4" x 9-3/4"	For 16" x 20" Bowls
	7-PS-16D	8 lbs.	1	7-PS-17D	16 lbs.	1	23-3/8" x 9-3/4"	For Handicapped Hand Sinks
	7-PS-16E	6 lbs.	1	7-PS-17E	14 lbs.	1	19-5/8" x 9-3/4"	For 14" (F/B) x 16" Bowls
<b>12" High Welded Side Splashes</b>	7-PS-16F	6 lbs.	1	7-PS-17F	14 lbs.	1	21-1/8" x 9-3/4"	For 16" (F/B) x 14" Bowls
	7-PS-11	6 lbs.	1	7-PS-15	14 lbs.	1	15-1/4" x 14"	For 10" x 14" Bowls w/ Splash Mt. Faucets
	7-PS-11A	6 lbs.	1	7-PS-15A	14 lbs.	1	16-1/8" x 14"	For 9" x 9" Bowls
	7-PS-11B	6 lbs.	1	7-PS-15B	14 lbs.	1	17-1/8" x 14"	For 10" x 14" Bowls w/ Deck Mt. Faucets
	7-PS-11C	8 lbs.	1	7-PS-15C	18 lbs.	1	21-3/4" x 14"	For 16" x 20" Bowls
	7-PS-11D	9 lbs.	1	7-PS-15D	20 lbs.	1	23-3/8" x 14"	For Handicapped Hand Sinks
	7-PS-11E	7 lbs.	1	7-PS-15E	16 lbs.	1	19-5/8" x 14"	For 14" (F/B) x 16" Bowls
	7-PS-11F	8 lbs.	1	7-PS-15F	18 lbs.	1	21-1/8" x 14"	For 16" (F/B) x 14" Bowls

**BOLT-ON**

Hardware Not Included

**7-3/4" High**

**12" High**

Model #	O.A. Splash Size W x H	Approx. Weight	Approx. Cu. Ft.	Model #	O.A. Splash Size W x H	Approx. Weight	Approx. Cu. Ft.	Description
7-PS-27	15-1/4" x 10"	5 lbs.	1	7-PS-13	15-1/4" x 14"	6 lbs.	1	For 10" x 14" Bowls w/ Splash Mt. Faucets
7-PS-27A	16-1/8" x 10"	6 lbs.	1	7-PS-13A	16-1/8" x 14"	7 lbs.	1	For 9" x 9" Bowls
7-PS-27B	17-1/8" x 10"	6 lbs.	1	7-PS-13B	17-1/8" x 14"	7 lbs.	1	For 10" x 14" Bowls w/ Deck Mt. Faucets
7-PS-27C	21-3/4" x 10"	6 lbs.	1	7-PS-13C	21-3/4" x 14"	7 lbs.	1	For 16" x 20" Bowls
7-PS-27D	23-3/8" x 10"	7 lbs.	1	7-PS-13D	23-3/8" x 14"	8 lbs.	1	For Handicapped Hand Sinks
7-PS-27E	19-5/8" x 10"	7 lbs.	1	7-PS-13E	19-5/8" x 14"	8 lbs.	1	For 14" (F/B) x 16" Bowls
7-PS-27F	21-1/8" x 10"	7 lbs.	1	7-PS-13F	21-1/8" x 14"	8 lbs.	1	For 16" (F/B) x 14" Bowls



**Customer Service Available To Assist You 1-800-645-3166 8:30 am - 8:00 pm E.S.T.**

For Orders & Customer Service:

Email: [customer@advancetabco.com](mailto:customer@advancetabco.com) or Fax: 631-242-6900

For Smart Fabrication™ Quotes:

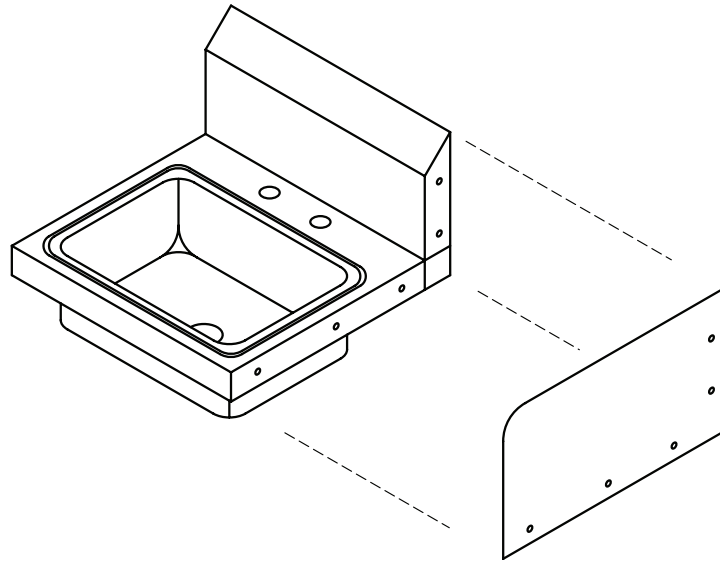
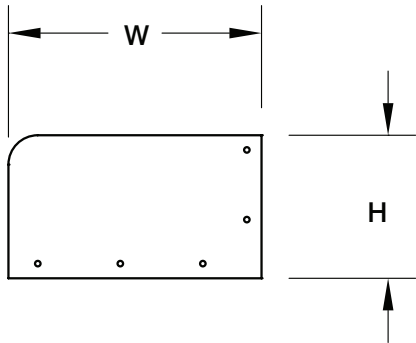
Email: [smartfab@advancetabco.com](mailto:smartfab@advancetabco.com) or Fax: 631-586-2933

# DIMENSIONS and SPECIFICATIONS

TOL  $\pm$  .500"

ALL DIMENSIONS ARE TYPICAL

## BOLT-ON SIDE SPLASHES (Hardware Not Included)



## WELDED SIDE SPLASHES (Factory Installed Only)

