



STAINLESS STEEL

COUNTERTOP INSTALLED HAND SINKS WITH BUILT-IN PAPER TOWEL DISPENSER & DECK MOUNTED SOAP DISPENSER



Conforms To NSF 61/9 Lead Free Requirements



7-PS-42 Shown



7-PS-43 Shown



7-PS-43 Shown Above
Installed in a Work Table

Item #:	_____	Qty #:	_____
Model #:	_____		
Project #:	_____		

FEATURES:

One piece **Deep Drawn** sink bowl design.

Sink bowls have a large liberal radii with a minimum dimension of 2" and are rectangular in design for increased capacity.

Both units include Deck Mounted Liquid Soap Dispenser & Stainless steel basket drain 1-1/2" IPS.

Specific Features:

Undermount towel dispenser pivots forward for ease of reloading.

Standard "C" Fold towels extracted directly from front of towel dispenser.

7-PS-42 & 7-PS-42A includes K-52 deck mounted, 4" O.C. chrome plated faucet & furnished with aerator.

7-PS-43 includes Knee-Valve operation & Gooseneck Spout.

CONSTRUCTION:

All TIG welded.

Welded areas blended to match adjacent surfaces and to a satin finish.

Die formed Countertop Edge with a No-Drip offset.

One sheet of stainless steel - No Seams.

MATERIAL:

Heavy gauge type 304 series stainless steel.

All fittings are brass / chrome plated unless otherwise indicated.

MECHANICAL:

Faucet supply is 1/2" IPS male thread hot and cold.

Faucet Flow Rate: 1.0 GPM/3.8 LPM aerator. 60 PSI.

For Factory Installation – Add TA-503

Model #	Overall Size W x L	Bowl Size W x L x D	Approx. Weight	Approx. Cu. Ft.
7-PS-42	17-5/8" x 18-1/4"	10" x 14" x 5"	30 lbs.	2
7-PS-42A	17-3/8" x 13"	9" x 9" x 5"	26 lbs.	2
7-PS-43	17-5/8" x 18-1/4"	10" x 14" x 5"	36 lbs.	2

⚠ WARNING:

Equipment that includes a faucet may expose you to chemicals, including lead, that are known to the State of California to cause cancer or birth defects or other reproductive harm. For more Info., visit www.p65warnings.ca.gov.



Customer Service Available To Assist You **1-800-645-3166** 8:30 am - 7:00 pm E.S.T.

For Orders & Customer Service:

Email: customer@advancetabco.com or Fax: 631-242-6900

For Smart Fabrication™ Quotes:

Email: smartfab@advancetabco.com or Fax: 631-586-2933

DIMENSIONS and SPECIFICATIONS

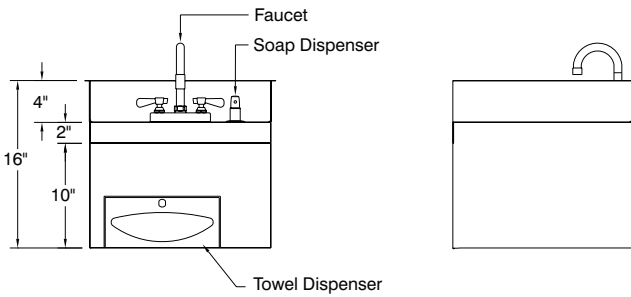
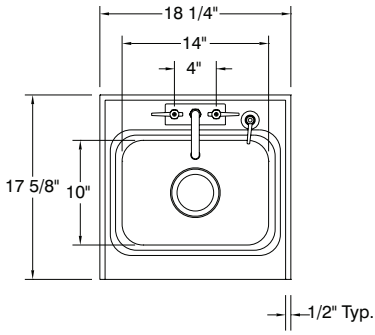
TOL Overall: ± .500" Interior: ± .250"

FITTINGS SUPPLIED AS SHOWN

ALL DIMENSIONS ARE TYPICAL

7-PS-42

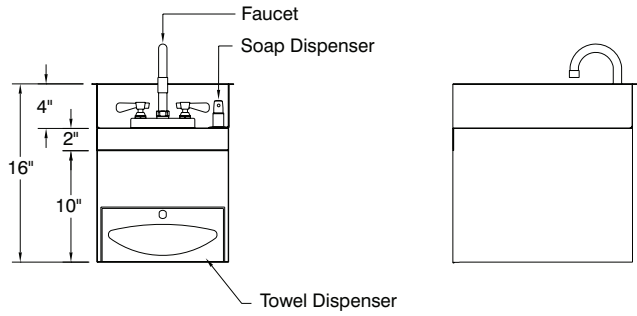
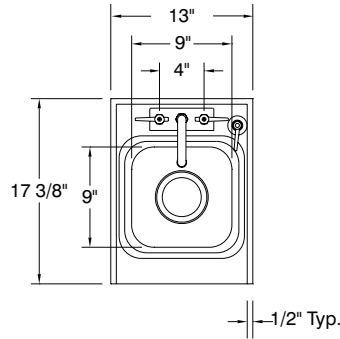
Countertop Opening Not to Exceed
17 1/4" (Front to Back) x 17 3/8" (Left to Right)



30 lbs.

7-PS-42A

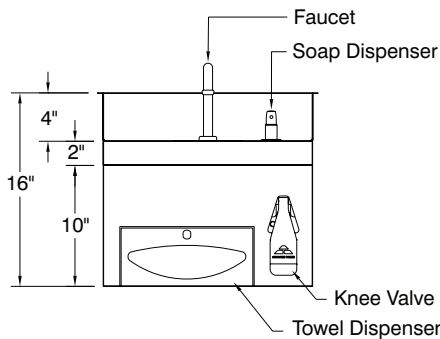
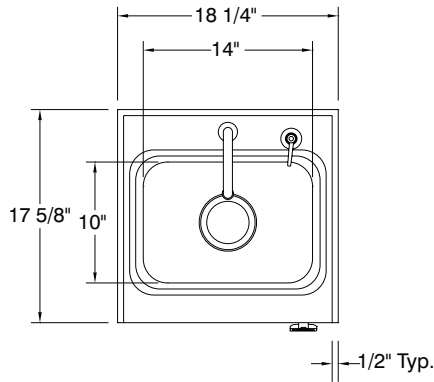
Countertop Opening Not to Exceed
16 7/8" (Front to Back) x 12 1/8" (Left to Right)



26 lbs.

7-PS-43

Countertop Opening Not to Exceed
17 1/4" (Front to Back) x 17 3/8" (Left to Right)



36 lbs.

