



Keyhole Bracket for easier installation and greater stability.



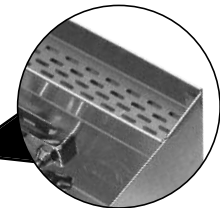
7-PS-40



7-PS-66



7-PS-76



Includes Removable Rear Utility Tray

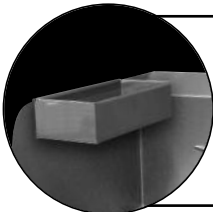


7-PS-87



7-PS-56

**SPACE SAVER**  
9" x 9" x 5" Bowl



**REMOVABLE UTILITY TRAY 7-PS-48**

8" x 3" x 2 5/16" Tray.  
Tray hem allows to hang from any standard side splash.  
Perforated for water drainage.

STAINLESS STEEL  
**HAND SINKS**  
**SIDE SPLASH UNITS**



**Item #:** \_\_\_\_\_ **Qty #:** \_\_\_\_\_  
**Model #:** \_\_\_\_\_  
**Project #:** \_\_\_\_\_

**STANDARD FEATURES:**

One piece **Deep Drawn** sink bowl design.  
Sink bowl is 10" x 14" x 5".  
Keyhole wall mount bracket.  
Stainless steel basket drain 1-1/2" IPS.  
Splash mounted 4" O.C. gooseneck faucet furnished with aerator.

**7-PS-40 & 7-PS-66 Specific Features:**

7 3/4" high side splashes.  
**7-PS-40** lever operated drain and built-in overflow with plastic overflow tube and spring clamps. P-Trap is 1 1/2" IPS.

**7-PS-56 Specific Features:**

Space Saver Sink bowl is 9" x 9" x 5".  
7 3/4" high side splashes.  
Flat-Top Strainer 1-1/2" IPS.

**7-PS-76 Specific Features:**

12" high side splashes.  
Includes 17 1/4" x 3" x 2 5/16" Full length removable Utility Tray for use with 12" Side Splash Units.  
Lever operated drain and built-in overflow with plastic overflow tube and spring clamps. P-Trap is 1 1/2" IPS.

**7-PS-87 Specific Features:**

Same features as 7-PS-40 Plus C-Fold Paper Towel & Soap Dispenser.

**CONSTRUCTION:**

All TIG welded.  
Welded areas blended to match adjacent surfaces and to a satin finish.  
Die formed Countertop Edge with a 3/8" No-Drip offset.  
One sheet of stainless steel - No Seams.  
All sink bowls have a large liberal radii with a minimum dimension of 2" and are rectangular in design for increased capacity.

**MATERIAL:**

Heavy gauge type 304 series stainless steel.  
Wall mounting bracket is galvanized and of offset design.  
All fittings are brass / chrome plated unless otherwise indicated.

**MECHANICAL:**

Faucet supply is 1/2" IPS male thread hot and cold.

**For Lead Free Compliant Faucet Upgrade, Add -CA to Appropriate Faucet (Example: k-59-CA)**

For Replacement Faucets & Upgrades, Drains & Accessories visit our website at [www.advancetabco.com](http://www.advancetabco.com)



**Customer Service Available To Assist You 1-800-645-3166 8:30 am - 8:00 pm E.S.T.**

Email Orders To: [customer@advancetabco.com](mailto:customer@advancetabco.com). For Smart Fabrication™ Quotes, Email To: [smartfab@advancetabco.com](mailto:smartfab@advancetabco.com) or Fax To: 631-586-2933

**NEW YORK**  
Fax: (631) 242-6900

**GEORGIA**  
Fax: (770) 775-5625

**TEXAS**  
Fax: (972) 932-4795

**NEVADA**  
Fax: (775) 972-1578

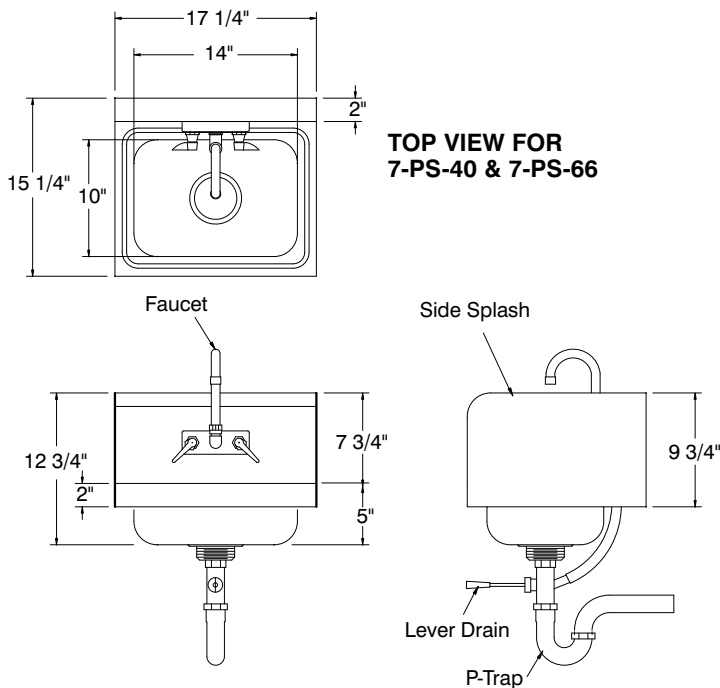
# DIMENSIONS and SPECIFICATIONS

TOL Overall: ± .500" Interior: ± .250"

FITTINGS SUPPLIED AS SHOWN

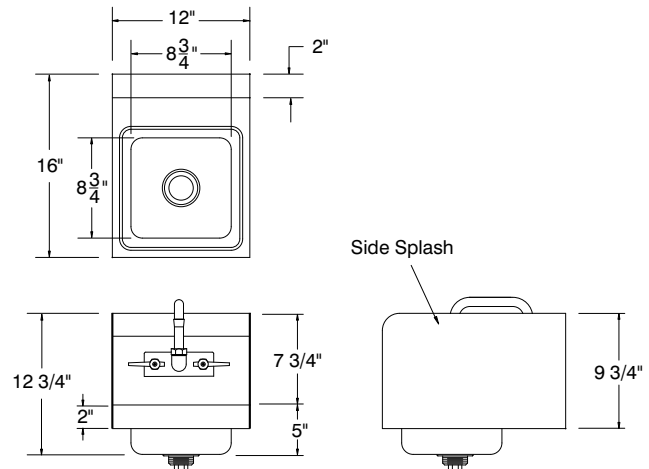
ALL DIMENSIONS ARE TYPICAL

## 7-PS-40 & 7-PS-66 (7-PS-66 Excludes P-Trap & Lever Drain & Overflow)



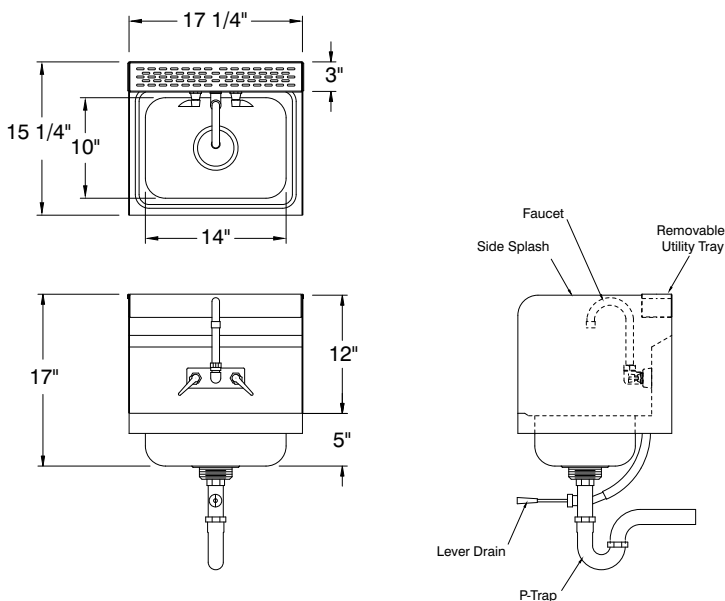
7-PS-40 - 22 lbs.  
7-PS-66 - 19 lbs.

## 7-PS-56



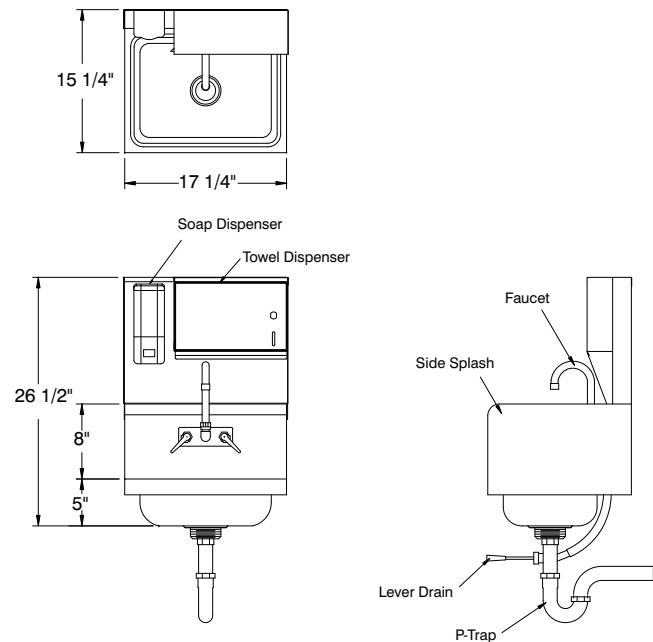
14 lbs.

## 7-PS-76



27 lbs.

## 7-PS-87



34 lbs.

