

Item #:	_____	Qty #:	_____
Model #:	_____		
Project #:	_____		



7-PS-80



7-PS-79

FEATURES:

One piece **Deep Drawn** sink bowl design.
 "Z" bracket wall mounting plate
 Keyhole wall mount bracket.
 Stainless steel 1-1/2" IPS basket drain.
 C-fold style towel dispenser with hinged towel box.

Specific Unit Features:

7-PS-41:
 A.D.A. Compliant
 14" x 16" x 5" sink bowl.
 K-175 Hands Free AC/DC operated gooseneck faucet.
 Deck mount liquid soap dispenser.
 Front loading paper towel dispenser.
 Stainless Steel Skirt with Removable Access Panel and enclosed bottom for storage.

7-PS-46:
7-PS-41:
 14" x 16" x 5" sink bowl.
 K-206 6" Extended splash mount gooseneck faucet with wrist handles
 Front loading paper towel dispenser.
 Deck mount liquid soap dispenser.
 Stainless Steel Skirt with Removable Access Panel and enclosed bottom for storage.

7-PS-69:
 10" x 14" x 5" sink bowl.
 Splash mount liquid Soap Dispenser.
 K-69 Heavy Duty Splash Mount Faucet (with Wrist Handles)
 Side Support Brackets.
 Lever operated drain, built-in overflow with plastic overflow tube and spring clamps.
 1 1/2" P-Trap.

7-PS-79:
 10" x 14" x 5" sink bowl.
 K-59 gooseneck faucet.
 Splash mount liquid Soap Dispenser.

7-PS-80:
 10" x 14" x 5" sink bowl.
 K-59 gooseneck faucet.
 Splash mount liquid Soap Dispenser
 Includes lever operated drain, built-in overflow with plastic overflow tube and spring clamps.
 1 1/2" P-Trap.

7-PS-85
 10" x 14" x 5" sink bowl.
 K-59 gooseneck faucet.
 Splash mount liquid Soap Dispenser.
 Chrome plated 1 1/2" P-Trap & apron.

CONSTRUCTION:
 All TIG welded.
 All sink bowls have a large liberal radii with a minimum dimension of 2" and are rectangular in design for increased capacity.
 Welded areas blended to match adjacent surfaces and to a satin finish.
 Die formed Countertop Edge with a No-Drip offset.

MATERIAL:
 Heavy gauge type 304 series stainless steel.
 Wall mounting bracket is Galvanized and of offset design.
 All fittings are brass / chrome plated unless otherwise indicated.

MECHANICAL:
 Faucet supply is 1/2" IPS male thread hot and cold.
Faucet Flow Rate: 1.0 GPM/3.8 LPM aerator. 60 PSI.



Includes Skirt

7-PS-85



Includes Side supports

7-PS-69

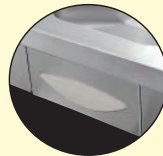
TAPERED BOWL DESIGN

[Click Here For Spec sheet!](#)

Electronic Faucet



7-PS-41



Front Loading



7-PS-46



A.D.A. Compliant

WARNING: Equipment that includes a faucet may expose you to chemicals, including lead, that are known to the State of California to cause cancer or birth defects or other reproductive harm. For more Info., visit www.p65warnings.ca.gov.

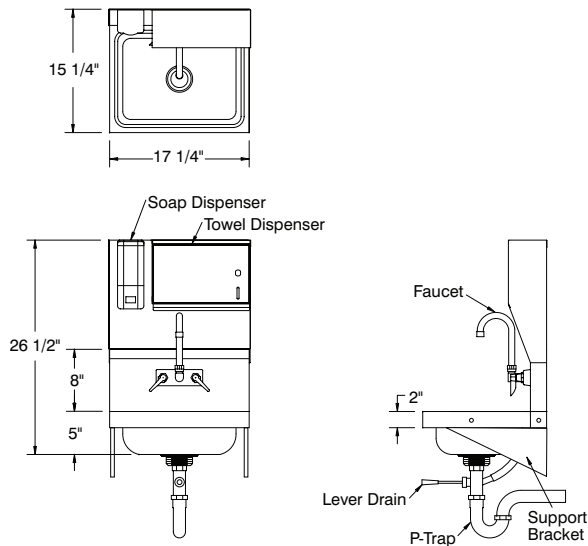
DIMENSIONS and SPECIFICATIONS

TOL Overall: ± .500" Interior: ± .250"

FITTINGS SUPPLIED AS SHOWN

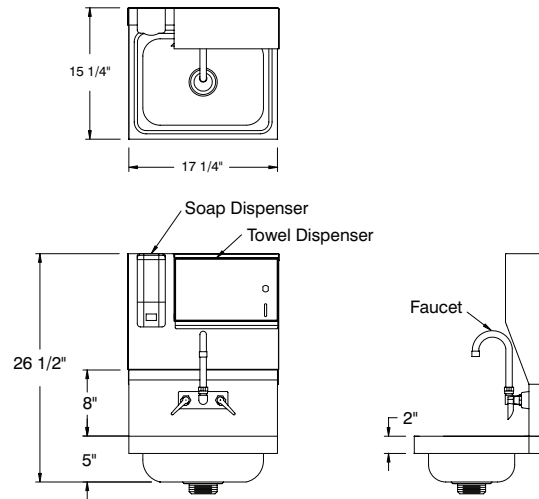
ALL DIMENSIONS ARE TYPICAL

7-PS-69



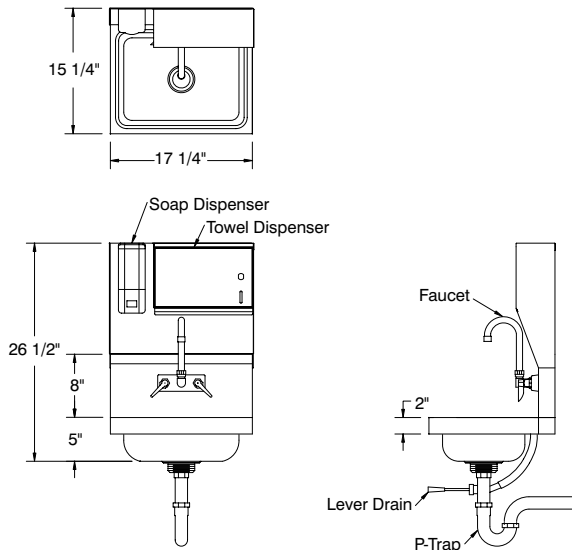
35 lbs.

7-PS-79



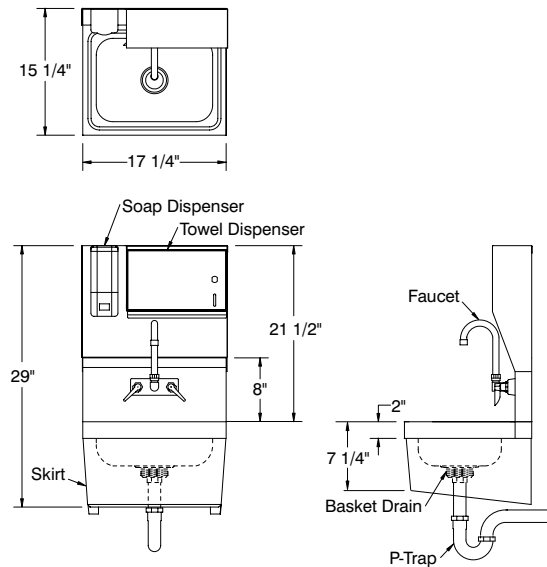
32 lbs.

7-PS-80



32 lbs.

7-PS-85



35 lbs.

