



7-PS-53



7-PS-51



7-PS-61



7-PS-81



7-PS-91

TOUCHLESS  
SOAP DISPENSER



7-PS-131

Item #: \_\_\_\_\_ Qty #: \_\_\_\_\_  
 Model #: \_\_\_\_\_  
 Project #: \_\_\_\_\_

**FEATURES:**

One piece **Deep Drawn** sink bowl design.  
 Sink bowl is 10"x14"x5" (Excludes 7-PS-53. Unit has 9"x9"x5" bowl).  
 "Hands Free" Electronic Faucet makes use of infrared technology to sense the user's presence and immediately turn on water supply that is pre-mixed to desired temp.  
 Electronic gooseneck faucet is splash mounted and comes complete with AC/DC control module, sensor, 4 "AA" batteries and spout.  
 All sink bowls have a large liberal radii with a minimum dimension of 2" and are rectangular in design for increased capacity.  
 Stainless steel basket drain 1 1/2" IPS.

**Additional Features:**

**7-PS-51 & 7-PS-81** lever operated drain and built-in overflow with plastic overflow tube and spring clamps. P-Trap is 1 1/2". Splash mounted soap dispenser.  
**7-PS-81** towel dispenser with hinged towel box. Unit uses standard C-fold towels. Liquid Soap dispenser.  
**7-PS-91** pedestal skirt.  
**7-PS-131** K-175 electronic faucet, splash mount touchless liquid soap dispenser. 7-3/4" Side Splashes.

**CONSTRUCTION:**

All TIG welded.  
 Welded areas blended to match adjacent surfaces & to a satin finish.  
 Die formed Countertop Edge with a 3/8" No-Drip offset.  
 One sheet of stainless steel - No Seams.

**MATERIAL:**

Heavy gauge type 304 series stainless steel.  
 Electronic Faucet solid brass, chrome plated.  
 Wall mounting bracket is stainless steel and of offset design.  
 All fittings are brass / chrome plated unless otherwise indicated.

**MECHANICAL:**

Electronic faucet is 1/2" male IPS thread.  
**K-175** Replacement Electronic Operated Faucet.  
**Faucet Flow Rate:** 1.0 GPM/3.8 LPM aerator. 60 PSI.



7-PS-104

**HANDS-FREE TOUCHLESS SOAP DISPENSER UPGRADE**

- Wall Mounted
- A/C or Battery Powered (Requires 4 "AA" Batteries. Not Included)
- Low Soap Indicator Window
- Includes Wall Bracket & Hardware
- Uses Liquid Soap (Excludes 7-PS-131)



**WARNING:** Equipment that includes a faucet may expose you to chemicals, including lead, that are known to the State of California to cause cancer or birth defects or other reproductive harm. For more Info., visit [www.p65warnings.ca.gov](http://www.p65warnings.ca.gov).

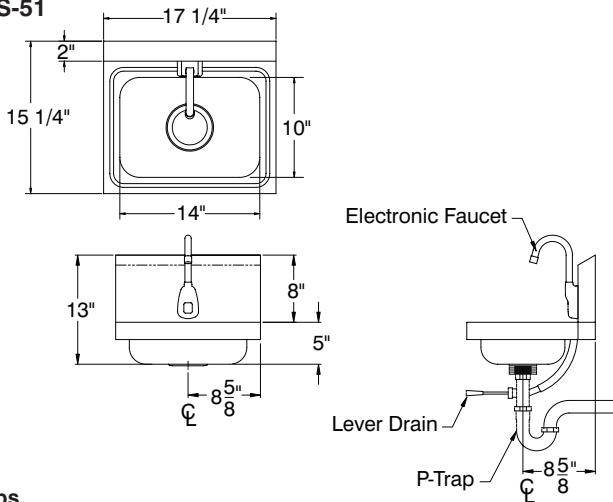
# DIMENSIONS and SPECIFICATIONS

TOL Overall: ± .500" Interior: ± .250"

FITTINGS SUPPLIED AS SHOWN

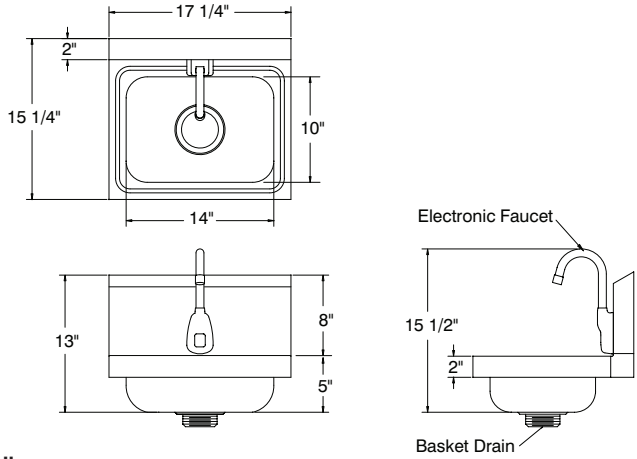
ALL DIMENSIONS ARE TYPICAL

7-PS-51



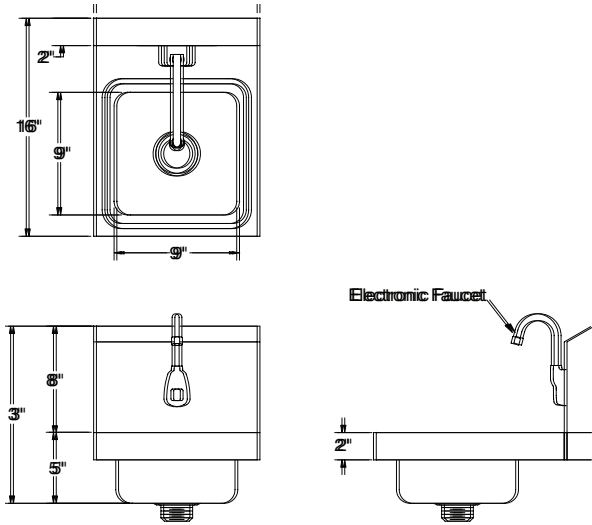
21 lbs.

7-PS-61

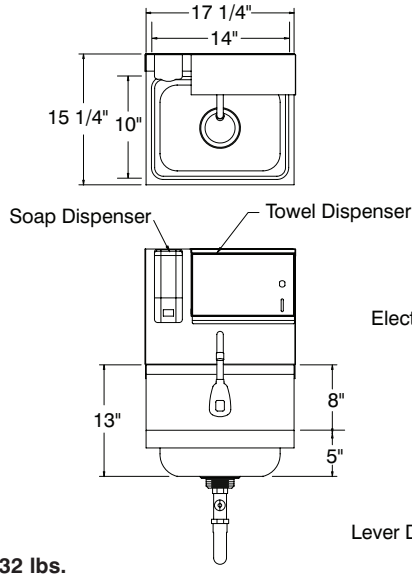


19 lbs.

7-PS-53

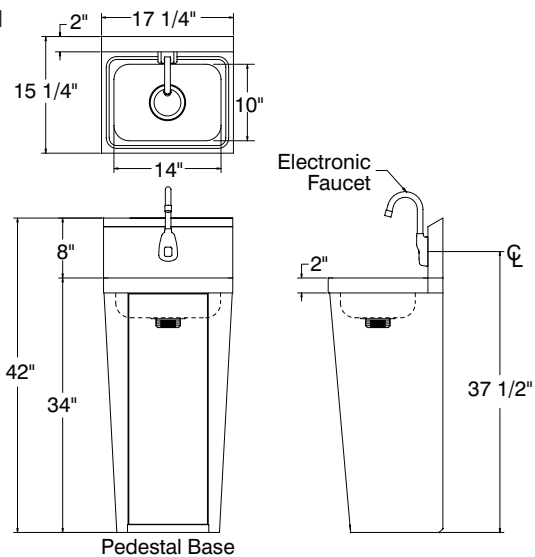


12 lbs.



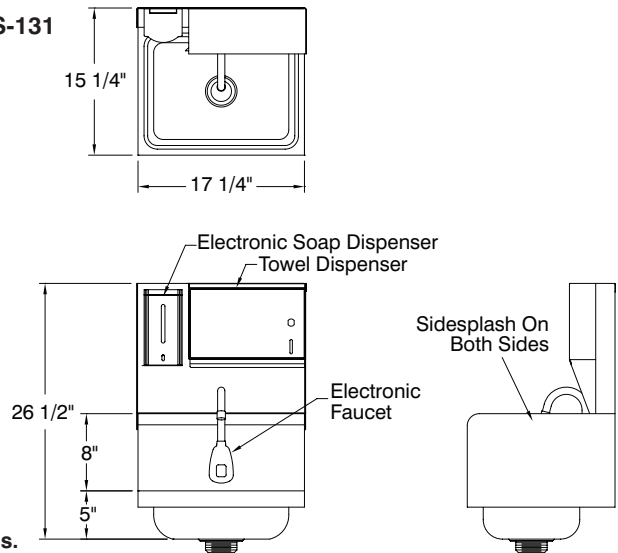
32 lbs.

7-PS-91



41 lbs.

7-PS-131



30 lbs.



REF-B

325 Wireless Boulevard, Hauppauge, NY 11788

ADVANCE TABCO is constantly engaged in a program of improving our products. Therefore, we reserve the right to change specifications without prior notice.

© ADVANCE TABCO, JULY 2020