



STAINLESS STEEL  
**MOP SINK CABINET**  
**9-OPC-84**



**Item #:** \_\_\_\_\_ **Qty #:** \_\_\_\_\_  
**Model #:** \_\_\_\_\_  
**Project #:** \_\_\_\_\_



Cabinet Includes  
Floor Mop Sink



**FEATURES:**

- 16" x 20" x 12" Sink Bowl with drain
- Louvered Side Panels for ventilation
- Single Left-Hinged Door
- Fixed Stainless Steel Utility Shelf
- 2 Mop Holders (1 on each side)

**CONSTRUCTION:**

- All TIG welded.
- Welded areas blended to match adjacent surfaces and to a satin finish.

**MATERIAL:**

- 16 gauge type "304" Series Sink Bowl
- 18 gauge type "304" Series Sink Bowl Apron
- 18 gauge type "430" Series Stainless Steel Cabinet

**OPTIONAL:**

- TA-46** - Door Lock
- K-240** - Service Faucet
- K-94-CAB** - 18 gauge type "304" Stainless Steel Cabinet Upgrade
- Right-hand Door Swing  
(please specify when ordering)

**Net Weight:** 238 lbs.



**Customer Service Available To Assist You 1-800-645-3166 8:30 am - 8:00 pm E.S.T.**

Email Orders To: [customer@advancetabco.com](mailto:customer@advancetabco.com). For Smart Fabrication™ Quotes, Email To: [smartfab@advancetabco.com](mailto:smartfab@advancetabco.com) or Fax To: 631-586-2933

**NEW YORK**  
Fax: (631) 242-6900

**GEORGIA**  
Fax: (770) 775-5625

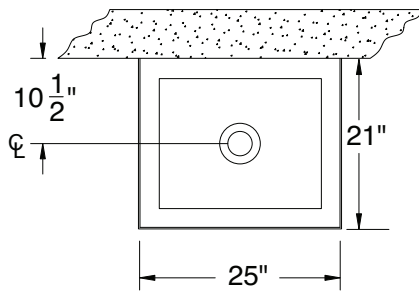
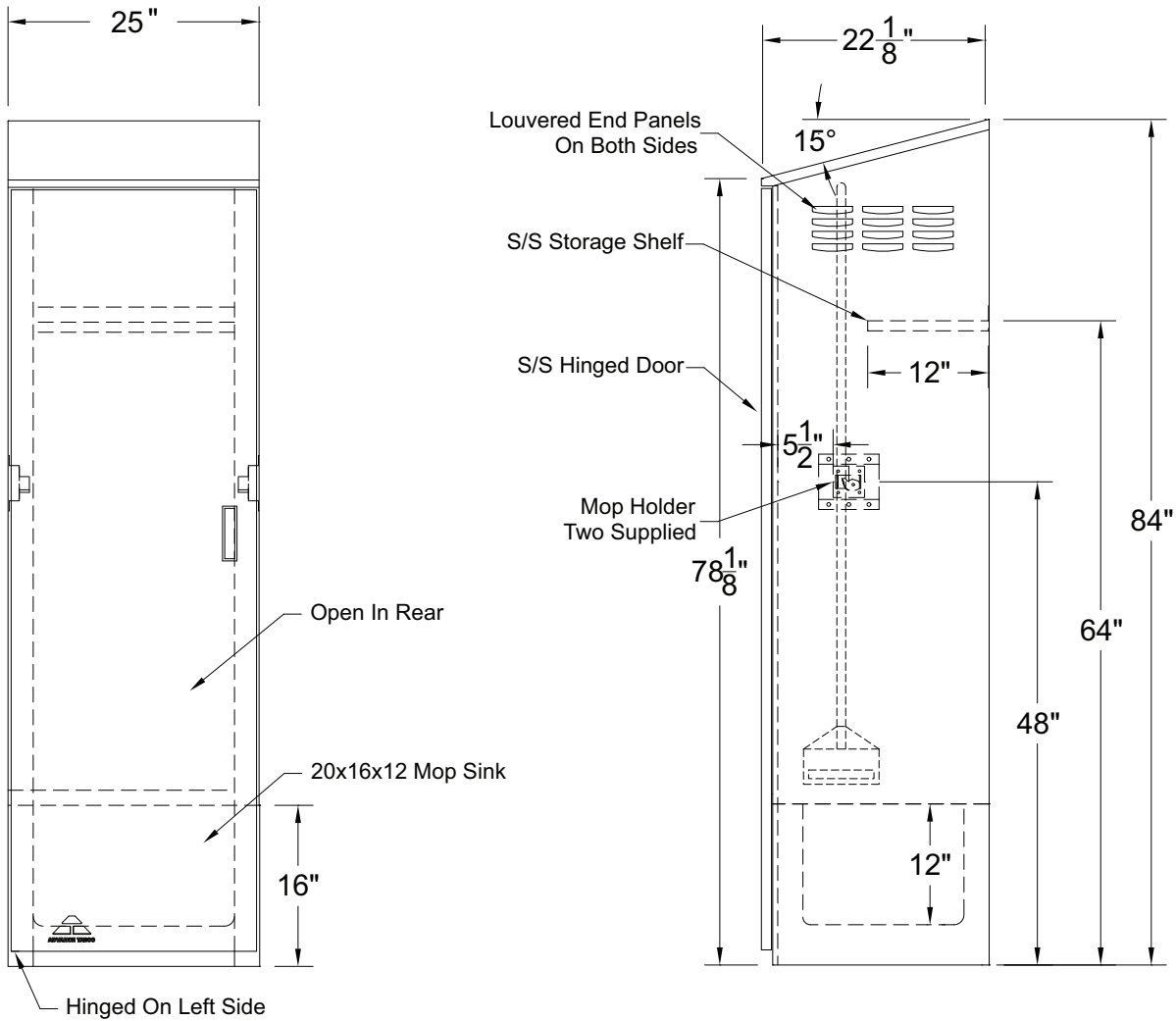
**TEXAS**  
Fax: (972) 932-4795

**NEVADA**  
Fax: (775) 972-1578

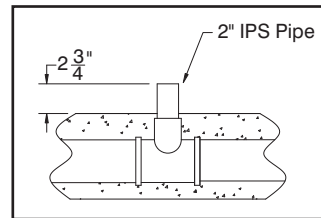
# DIMENSIONS and SPECIFICATIONS

ALL DIMENSIONS ARE TYPICAL

TOL ± .500"



Mop Sink Detail



Drain Detail

