

PROFESSIONAL BEVERAGE CENTER



Shown with optional Drip Trough with Grate

Features:

- 16 Gauge, Type 304 Stainless Steel
- Hat Channel construction (See page 13 for details)
- Mounting Brackets included (See page 13 for details)
- "No Drip" raised edge
- G.F.C.I. Outlet
- 10" Backsplash with 2" return and 45° angle to wall
- Optional trough with removable grate & 1-1/4" I.P.S. drain

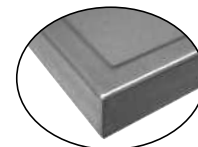
Model	Overall Size L x W	Cabinet Base Length	Approx. Wt.
BC-24RE	24" x 25"	24"	42 lbs.
BC-36RE	36" x 25"	36"	63 lbs.
BC-48RE	48" x 25"	48"	72 lbs.
BC-60RE	60" x 25"	60"	105 lbs.

**OPTIONAL DRIP
TROUGH W/GRATE**

Model
BCT-24RE (12")
BCT-36RE (24")
BCT-48RE (36")
BCT-60RE (2-24")



Verify Left or Right Drain Location



Standard "No-Drip" Raised Edge



Comes with 1 G.F.C.I. Outlet
Use TA-62RE For Additional G.F.C.I. Outlets

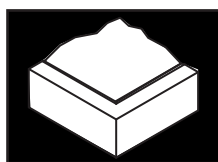
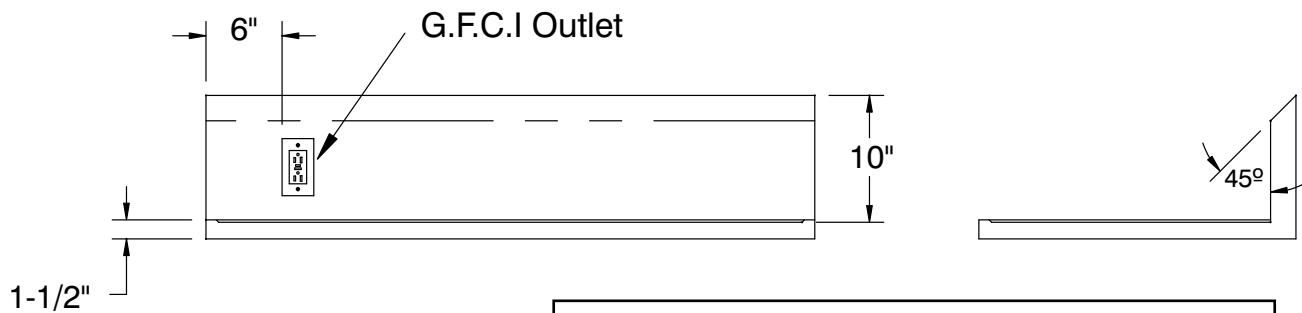
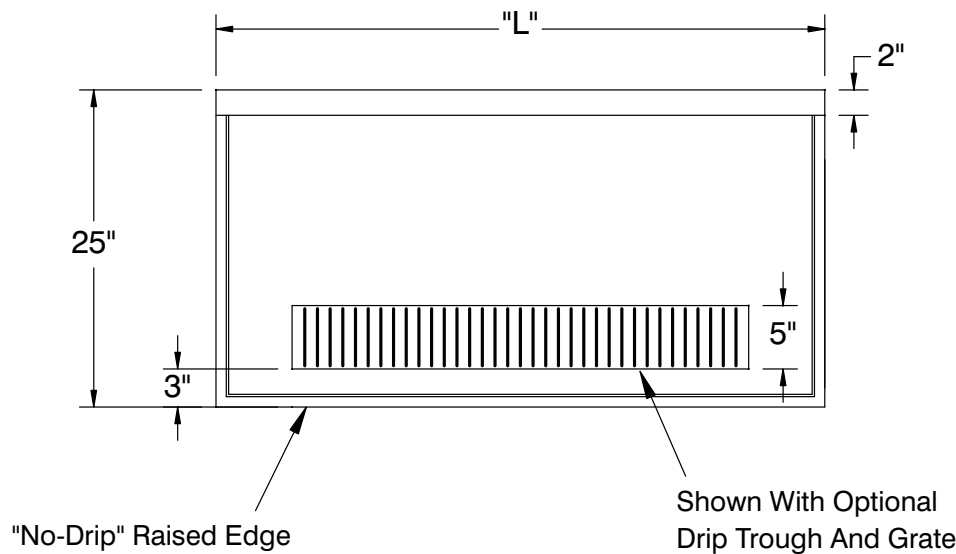
Professional Stainless Steel Products For Your Home

Toll Free Phone: 866-799-0106 • Toll Free Fax: 866-799-0249

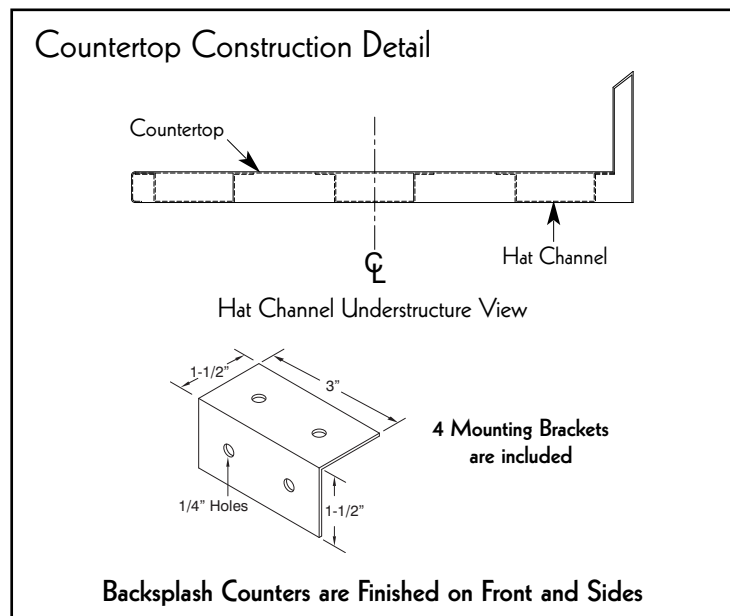
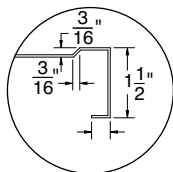
www.alinebyadvancetabco.com

KaTom Restaurant Supply, Inc.

PROFESSIONAL BEVERAGE CENTER



"NO-DRIP" RAISED EDGE
1/8" Radius on all Top Front Edges



Professional Stainless Steel Products For Your Home

Toll Free Phone: 866-799-0106 • Toll Free Fax: 866-799-0249

www.alinebyadvancetabco.com