



ALUMINUM
BUS BOX CART



BC3

Item #: _____ **Qty #:** _____
Model #: _____
Project #: _____

FEATURES:

- Curved top design.
- Heavy duty welded construction with 6 cross supports.
- Heavy duty 5" stem bolted swivel casters.
- 1 1/2" Ribbed Angles.
- Holds 3 bus boxes.

CONSTRUCTION:

Fully welded 1" square tubing ladder assembly.

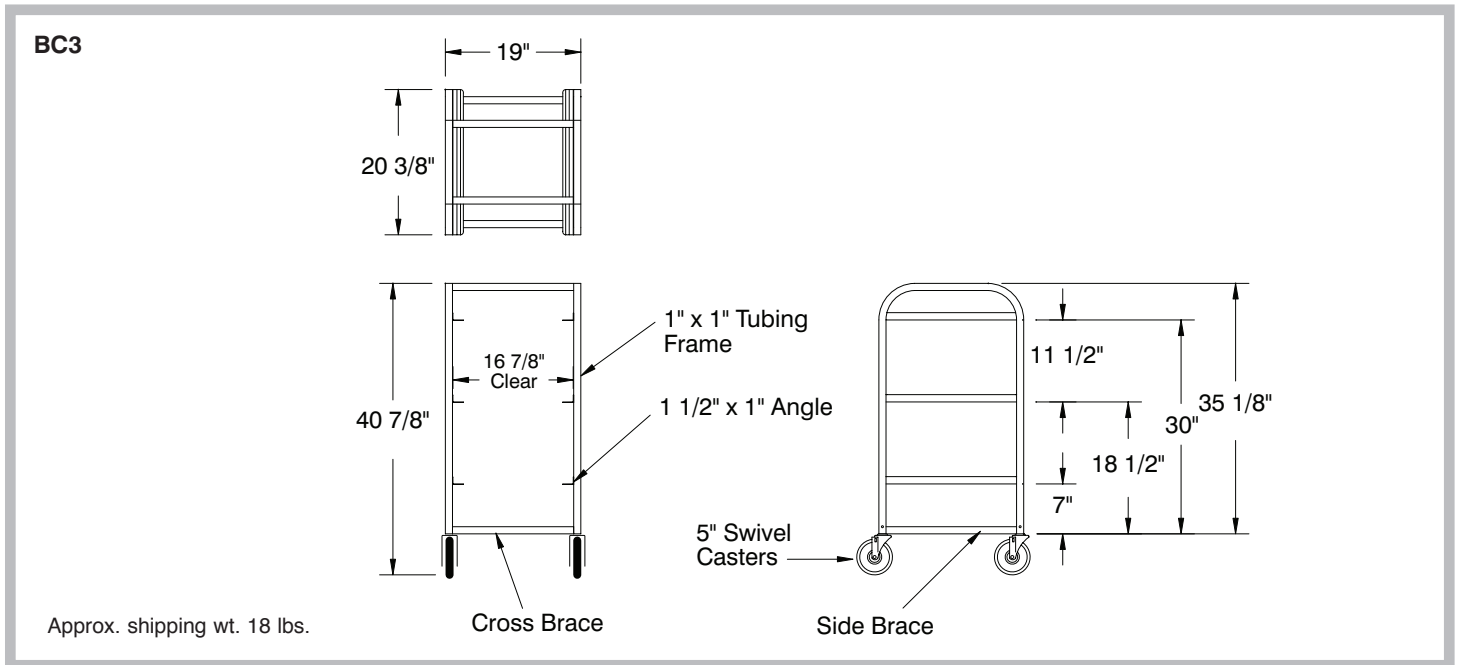
MATERIAL:

6063-T52 extruded aluminum angles, upright tubing, and support pieces.

DIMENSIONS and SPECIFICATIONS

TOL ± .500"

ALL DIMENSIONS ARE TYPICAL



Customer Service Available To Assist You 1-800-645-3166 8:30 am - 8:00 pm E.S.T.

Email Orders To: customer@advancetabco.com. For Smart Fabrication™ Quotes, Email To: smartfab@advancetabco.com or Fax To: 631-586-2933

NEW YORK
Fax: (631) 242-6900

GEORGIA
Fax: (770) 775-5625

TEXAS
Fax: (972) 932-4795

NEVADA
Fax: (775) 972-1578