



STAINLESS STEEL ENCLOSED BASE BEVERAGE TABLE

Item #: _____ Qty #: _____
 Model #: _____
 Project #: _____



Model #	Length	Weight
BEV-30-48LorR*	48"	230 lbs.
BEV-30-60LorR*	60"	250 lbs.
BEV-30-72LorR*	72"	300 lbs.
BEV-30-84LorR*	84"	350 lbs.
BEV-30-96LorR*	96"	400 lbs.
BEV-30-108LorR*	108"	450 lbs.
BEV-30-120LorR*	120"	500 lbs.
BEV-30-144LorR*	144"	550 lbs.

*SPECIFY SINK LEFT OR RIGHT END:
 Please designate left or right sink location by using L or R
 after model number when ordering



FEATURING BOLT-ON
 STAINLESS STEEL LEG



FEATURES:

Top is furnished with a 2" x 1" square die embossed No-Drip countertop offset edge with 1/2" return on 3 sides and a 10" splash with a 2" return on the rear side.

UNIT BODY DESIGN sides, back and shelf are welded to form a single rigid structure. Furnished with a stainless steel intermediate shelf and a 14" x 16" x 12" sink bowl integrally welded to top. 1 1/2" I.P.S. basket type drain.

TOP is assembled to body to form a flush fit and is supplied with a 5" x 1" urn trough with no-splash drain plate.

G.F.I. duplex electrical outlet mounted in back splash.

Front hinge door and open back under sink area permits ease-of-installation of plumbing fixtures. Partial undershelf for storage.

Easy to install - multi-purpose unit.

MATERIAL:

TOP is 14 gauge stainless steel type "304" series.

BODY is 18 gauge stainless steel type "430" series.

LEGS are stainless steel and include 1 1/2" adjustable hex foot.

FAUCET is splash mounted 4" O.C. with an 8 1/2" wide gooseneck spout. Supply is 1/2" hot and cold.

CONSTRUCTION:

All TIG welded.

TOP and all exposed surfaces are mechanically polished to a satin finish and sound deadened.

Countertop edge is polished to a MIRROR finish.

Roll formed embossed galvanized hat channels are secured to top by means of structural adhesive and weld studs.

Legs bolt on to table base.



Customer Service Available To Assist You **1-800-645-3166** 8:30 am - 8:00 pm E.S.T.

For Orders & Customer Service:

Email: customer@advancetabco.com or Fax: 631-242-6900

For Smart Fabrication™ Quotes:

Email: smartfab@advancetabco.com or Fax: 631-586-2933

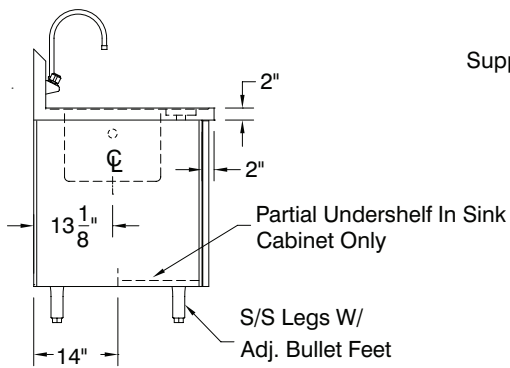
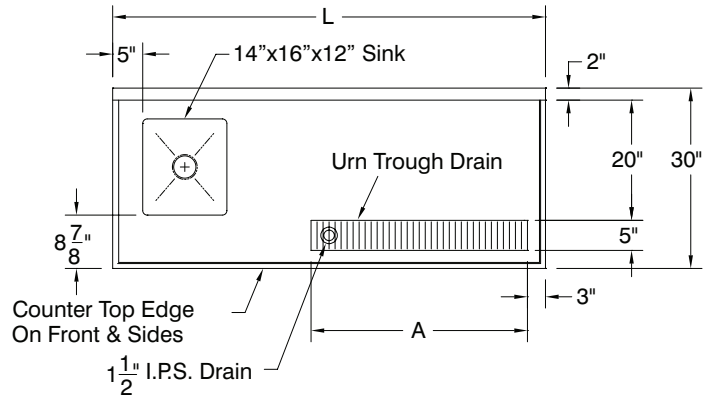
DETAILS and SPECIFICATIONS

TOL ± .500"

ALL DIMENSIONS ARE TYPICAL

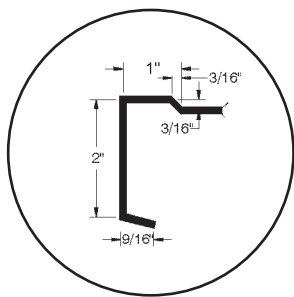
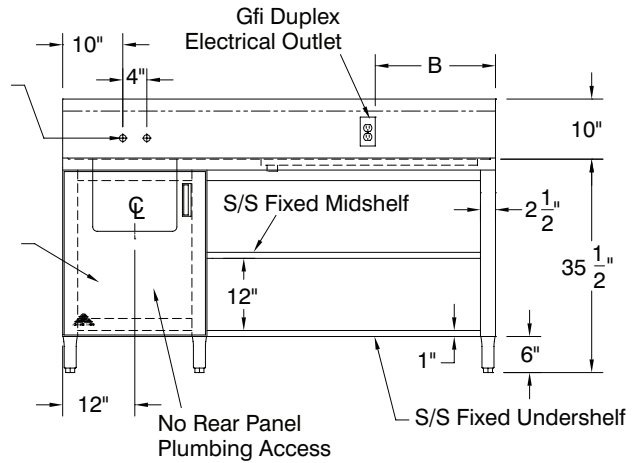
14" x 16" x 12" Sink Bowl

Model #	Length	A	B
BEV-30-48LorR*	48"	18"	12"
BEV-30-60LorR*	60"	24"	14"
BEV-30-72LorR*	72"	36"	20"
BEV-30-84LorR*	84"	36"	20"
BEV-30-96LorR*	96"	36"	20"
BEV-30-108LorR*	108"	36"	20"
BEV-30-120LorR*	120"	36"	20"
BEV-30-144LorR*	144"	36"	20"



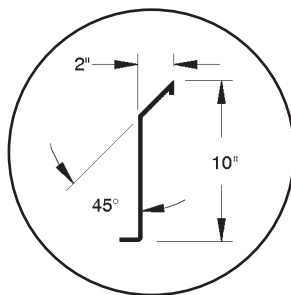
Punch 1 1/8" Holes For A K-60 Faucet Supplied By Advance Tabco

24" Hinged Door



COUNTERTOP EDGE DETAIL

SPLASH DETAIL



SUGGESTED PLUMBING

Rear of sink cabinet is open for easy plumbing installation

