



STAINLESS STEEL

FREE STANDING CABINETS



Item #: _____ Qty #: _____
 Model #: _____
 Project #: _____

FEATURES:

Louvered Side Panels for ventilation
 Single Left-Hinged Door (See below for right hand door swing modification)
 Fully Enclosed
 Fixed 12" Deep Stainless Steel Utility Shelf at top of cabinet (CAB-4 Series Cabinets includes one 12" deep fixed top shelf, & three additional full width fixed shelves)

CONSTRUCTION:

All TIG welded.
 Welded areas blended to match adjacent surfaces and to a satin finish.

MATERIAL:

18 gauge type "430" Series Stainless Steel Cabinet

OPTIONS:

TA-46 Door Lock
 CAB-R Optional right-hand door swing



Louvered Ventilation



Top 12" Fixed Shelf Allows Room For Mops and Broom Handles

Model #	# of Fixed Shelves	Approx. Wt.	Approx. Cu.
18 Ga. Type 430 S/S Cabinet			
CAB-1	1 Shelf	200	40
CAB-4	4 Shelves	240	40
18 Ga. Type 300 S/S Cabinet			
CAB-1-300	1 Shelf	200	40
CAB-4-300	4 Shelves	240	40

Standard Left-Hand Swing Door Shown
 *Optional Right-Hand Door Swing Available - See Below

Additional Cabinet Modifications



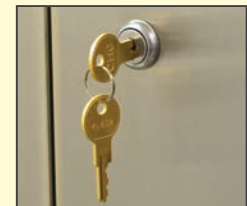
Convert Single Width Cabinet To Double Doors
 K-84-CAB



Right Hand Door Swing
 CAB-R



Additional Fixed Mid-Shelf
 K-94-SHELF



Cabinet Door Lock
 SU-27



Customer Service Available To Assist You 1-800-645-3166 8:30 am - 7:00 pm E.S.T.

For Orders & Customer Service:
 Email: customer@advancetabco.com or Fax: 631-242-6900

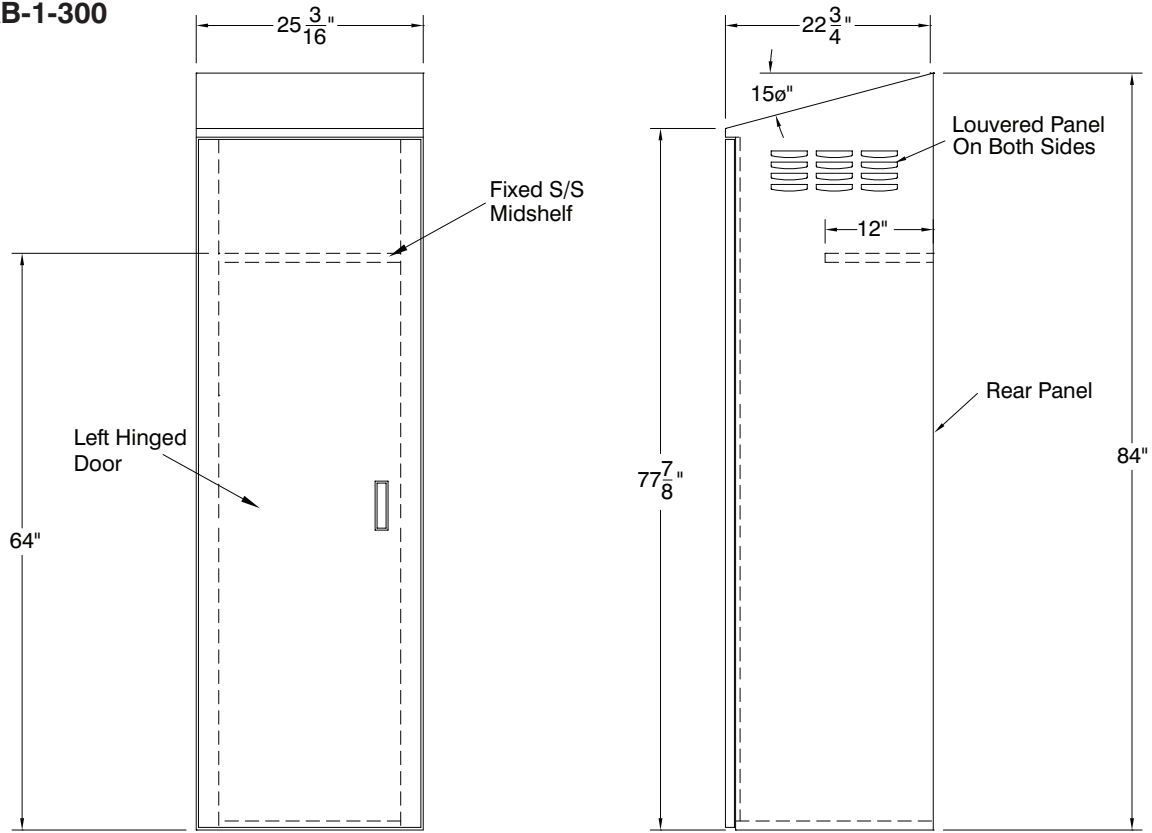
For Smart Fabrication™ Quotes:
 Email: smartfab@advancetabco.com or Fax: 631-586-2933

DETAILS and SPECIFICATIONS

TOL ± .500"

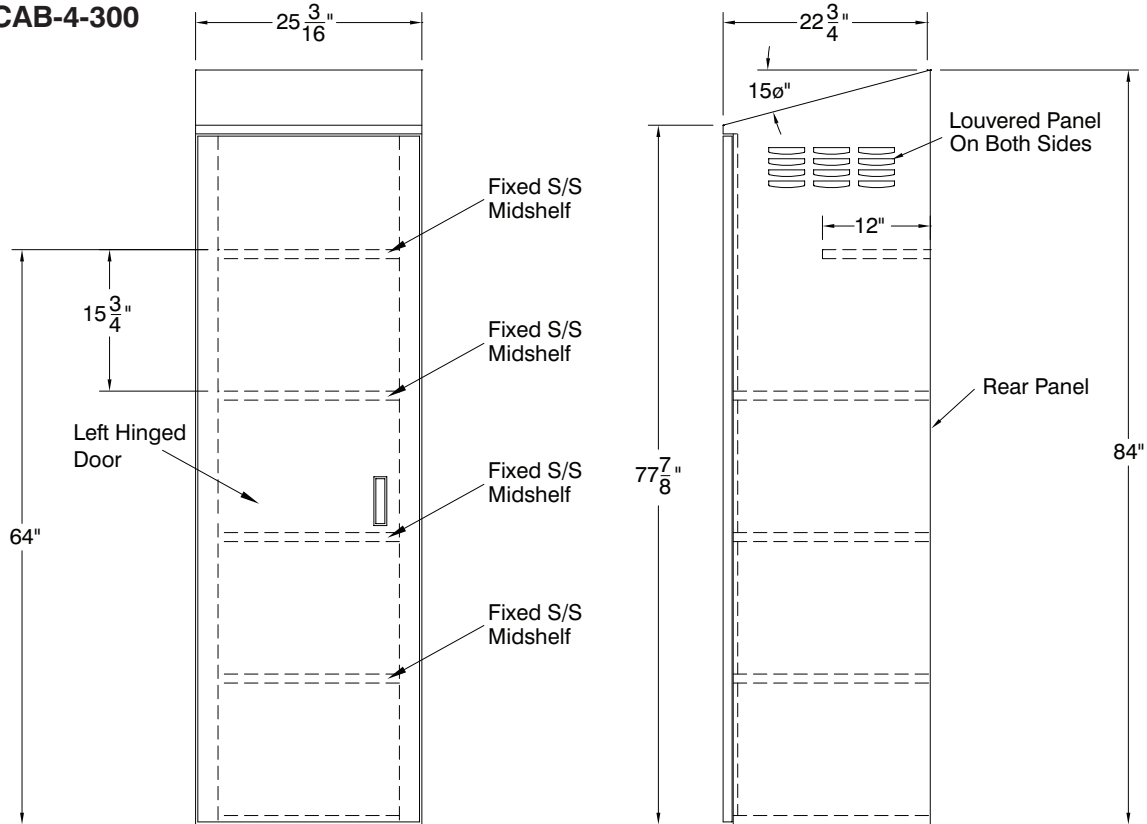
ALL DIMENSIONS ARE TYPICAL

CAB-1/CAB-1-300



200 lbs.

CAB-4/CAB-4-300



240 lbs.

