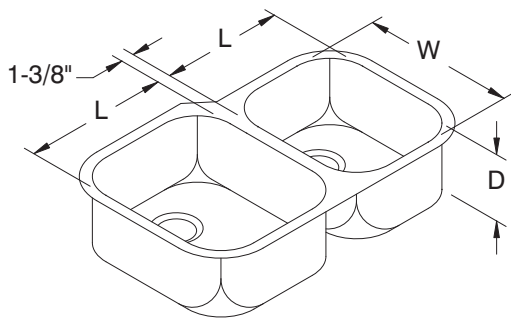


The Curve™ Group CONTOURED ADJOINED SCULLERY SINKS

Features:

- 16 Gauge, Type 304 Stainless Steel
- Stainless steel 3-1/2" REAR drain and basket strainer (1-1/2" I.P.S.)
- Sound deadened



Inside Sink Bowl Dimension



Curve™ Adjoined Sink Bowls:
Two sinks connected as one overall unit with 1-3/8" in between.



CV-2-3221-LRE Shown Above

Model	Inside Sink Bowl Dim. L x W x D	Overall Size	Sink Base Length	Approx. Wt.
CV-2-3221-LRE	15-3/4"x18-3/4"x9" / 13"x16-1/2"x7"	32"x20-3/4"	36"	32 lbs.
CV-2-3221-RRE	13"x16-1/2"x7" / 15-3/4"x18-3/4"x9"	32"x20-3/4"	36"	32 lbs.
CV-2-3121-LRE	17-3/4"x18-1/2"x9" / 10-3/8"x16"x7"	31"x21"	36"	31 lbs.
CV-2-3121-RRE	10-3/8"x16"x7" / 17-3/4"x18-1/2"x9"	31"x21"	36"	31 lbs.

(1" flange on all 4 sides. Leave room in rear for rear mount faucet or faucet can also be off center.)

Faucet Not Included.

ACCESSORIES

Protect Your Sinks with Matching Chrome Sink Grids



Model	Fits Bowl Size
SG-1016-RE	10-3/8" x 16"
SG-1316-RE	13" x 16-1/2"
SG-1518-RE	15-3/4" x 18-3/4"
SG-1718-RE	17-3/4" x 18-1/2"

Professional Stainless Steel Products For Your Home

Toll Free Phone: 866-799-0106 • Toll Free Fax: 866-799-0249

www.alinebyadvancetabco.com

ADVANCE TABCO is constantly engaged in a program of improving our products. Therefore, we reserve the right to change specifications without prior notice.

© ADVANCE TABCO, OCTOBER 2011

KaTom Restaurant Supply, Inc.