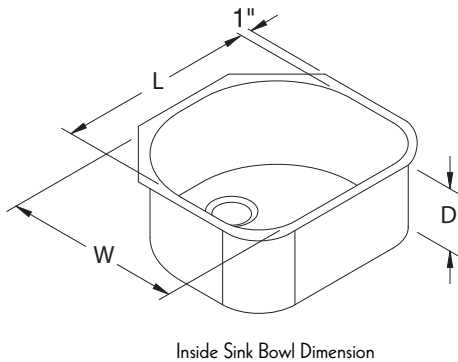


The Curve™ Group CONTOURED SCULLERY SINKS

Features:

- 16 Gauge, Type 304 Stainless Steel
- Stainless steel 3-1/2" rear drain and basket strainer (1-1/2" I.P.S.)
- Sound deadened



Model	Sink Bowl Dim. L x W x D	Overall Size L x W	Sink Base Length	Approx. Wt.
CV-2421-RE	21-1/2"x19"x9"	23-3/4"x21-1/4"	30"	21 lbs.

(1" flange on all 4 sides. Leave 2" in rear for rear mount faucet or faucet can also be off center.)

Faucet Not Included

ACCESSORIES

Protect Your Sinks with Matching Chrome Sink Grids



Model	Fits Bowl Size
SG-2119-RE	21-1/2"x19"

Professional Stainless Steel Products For Your Home

Toll Free Phone: 866-799-0106 • Toll Free Fax: 866-799-0249

www.alinebyadvancetabco.com

ADVANCE TABCO is constantly engaged in a program of improving our products. Therefore, we reserve the right to change specifications without prior notice.

© ADVANCE TABCO, OCTOBER 2011

KaTom Restaurant Supply, Inc.