



STAINLESS STEEL DISH CABINETS



Item #: _____ **Qty #:** _____

Model #: _____

Project #: _____

FEATURES:

FLAT TOP is furnished with a 1 5/8" sanitary rolled rim on the front and 1 5/8" square bend edges on the 2 sides and rear.

Rear flush panel along the rear of the base unit.

MATERIAL:

TOP is 14 gauge stainless steel type "304" series with galvanized hat channel.

BODY is 18 gauge stainless steel type "430" series.

LEGS are 1 5/8" diameter tubular stainless steel with stainless steel gussets and 1" adjustable stainless steel bullet feet.

CONSTRUCTION:

All TIG welded. Exposed areas finished to match adjacent surfaces. Entire Top is mechanically polished to a satin finish and is sound deadened.

Roll formed embossed galvanized hat channels are secured to top by means of structural adhesive and weld studs.

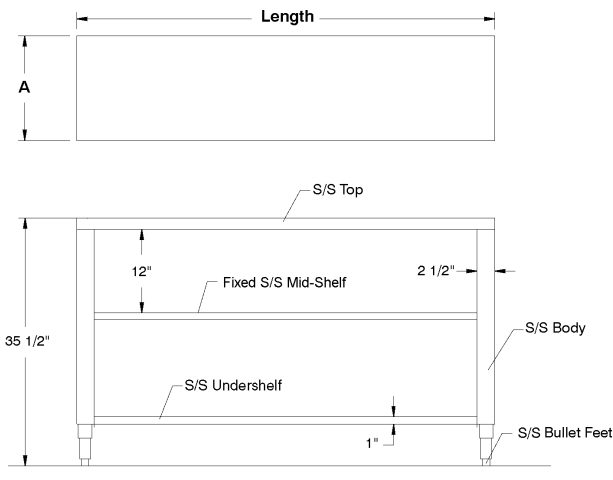
UNIT-BODY DESIGN sides, back and shelf are welded to form a single rigid structure.

Gussets welded to support hat sections.

DETAILS and SPECIFICATIONS

TOL ± .500"

ALL DIMENSIONS ARE TYPICAL



MODEL #	Length	A	Wt.
DC-154	48"	15"	155 lbs.
DC-155	60"	15"	195 lbs.
DC-156	72"	15"	225 lbs.
DC-157	84"	15"	265 lbs.
DC-158	96"	15"	295 lbs.
DC-1510	120"	15"	360 lbs.
DC-1512	144"	15"	400 lbs.
DC-184	48"	18"	170 lbs.
DC-185	60"	18"	205 lbs.
DC-186	72"	18"	245 lbs.
DC-187	84"	18"	275 lbs.
DC-188	96"	18"	315 lbs.
DC-1810	120"	18"	385 lbs.
DC-1812	144"	18"	425 lbs.

Units 8' and larger are furnished with 6 legs.



Customer Service Available To Assist You 1-800-645-3166 8:30 am - 8:00 pm E.S.T.

Email Orders To: customer@advancetabco.com. For Smart Fabrication™ Quotes, Email To: smartfab@advancetabco.com or Fax To: 631-586-2933

NEW YORK
Fax: (631) 242-6900

GEORGIA
Fax: (770) 775-5625

TEXAS
Fax: (972) 932-4795

NEVADA
Fax: (775) 972-1578