



STAINLESS STEEL

# DROP-IN SINKS

## Three Compartments - FOR GENERAL PURPOSE USE

### Sinks Includes Faucet & Drain

Item #: \_\_\_\_\_ Qty #: \_\_\_\_\_  
 Model #: \_\_\_\_\_  
 Project #: \_\_\_\_\_

#### FEATURES:

One piece seamless **Deep Drawn** sink bowl design.  
 All sink bowls have a large liberal radii with a minimum dimension of 2" and are rectangular in design for increased capacity.  
 Self-Rim Design. Mounting clips provided accommodates all thicknesses of counter. (Quantity supplied varies based on drop in sink ordered).  
 Includes 4" O.C. **K-50** faucet (DI-3-1612 includes **K-53** faucet) & basket drain.

#### CONSTRUCTION:

Bowls fabricated from one sheet of stainless steel.  
 All bowls are Sound Deadened.  
 Units feature Advance Tabco's **Smart Finish™**.

#### MECHANICAL:

Faucet supply is 1/2" IPS male thread.  
 Deck mounted faucets are furnished with aerator.  
**Faucet Flow Rate:** 1.0 GPM/3.8 LPM aerator. 60 PSI.

#### MATERIAL:

18 gauge type 304 series stainless steel.  
 Faucets are brass-nickel plated.  
 Stainless Steel 1-1/2" IPS basket drain.



**NOTE: Multi-Compartment Drop-In Sinks ARE NSF Approved when used in Mobile Food Carts and Kiosks only.**



DI-3-10



DI-3-1612



DI-3-1410



#### STANDARD MOUNTING CLIPS

For countertops over 7/8" and up to 2" thick.  
 Replacement # **K-28 (Per Sink)**

Available Faucets & Accessories	Model #	Qty
Deck Mounted 8" Swing Spout. 4" O.C.	<b>K-50</b>	
Deck Mounted 12" Swing Spout. 4" O.C.	<b>K-53</b>	
Deck Mounted 8 1/2" Large Gooseneck. 4" O.C.	<b>K-55</b>	
Deck Mounted Swing w/Spray. 8" O.C.*	<b>K-58</b>	
Mounting Clips (Bag of 4).	<b>K-28</b>	

\*REQUIRES **K-472** FAUCET HOLE REVISION

**WARNING:** Faucets on this page may expose you to chemicals, including lead, that are known to the State of California to cause cancer or birth defects or other reproductive harm. For more Info., visit [www.p65warnings.ca.gov](http://www.p65warnings.ca.gov).



**Customer Service Available To Assist You 1-800-645-3166 8:30 am - 7:00 pm E.S.T.**

For Orders & Customer Service:  
 Email: [customer@advancetabco.com](mailto:customer@advancetabco.com) or Fax: 631-242-6900

For Smart Fabrication™ Quotes:  
 Email: [smartfab@advancetabco.com](mailto:smartfab@advancetabco.com) or Fax: 631-586-2933

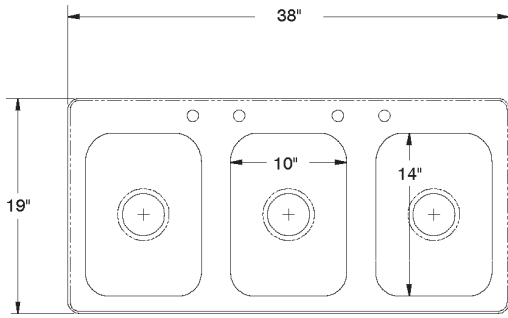
# DIMENSIONS and SPECIFICATIONS

TOL ± .125"

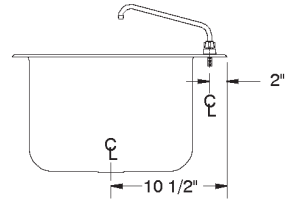
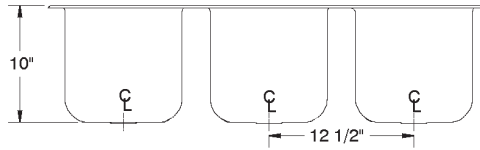
Supplied with Two K-50 Faucets & K-6 Basket Drain

ALL DIMENSIONS ARE TYPICAL

DI-3-10

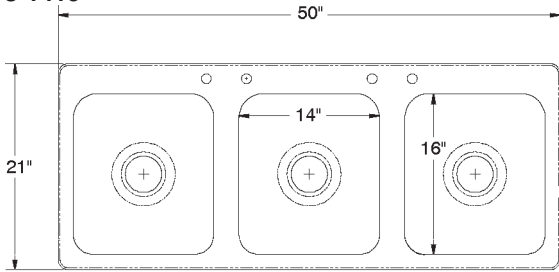


**Cut-Out Size**  
37 1/4" x 18 1/4"  
1 1/4" radius corners

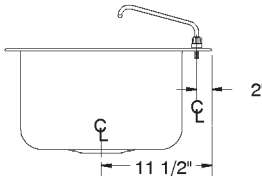
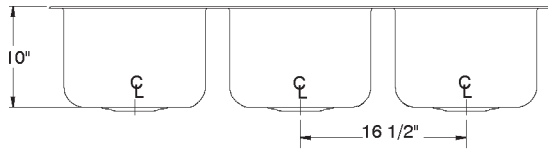


Approx. Wt. 40 lbs.

DI-3-1410

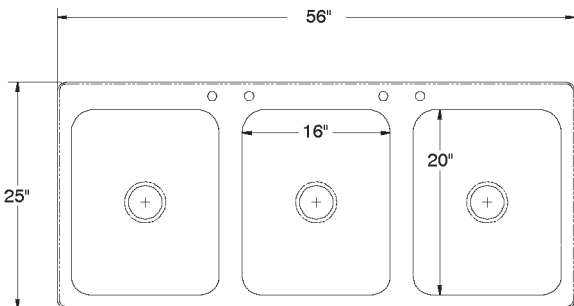


**Cut-Out Size**  
49 1/4" x 20 1/4"  
1 1/4" radius corners

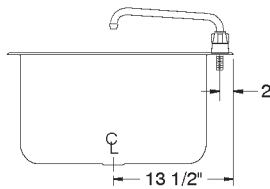
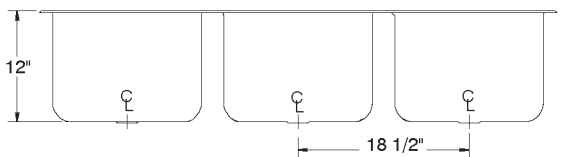


Approx. Wt. 50 lbs.

DI-3-1612

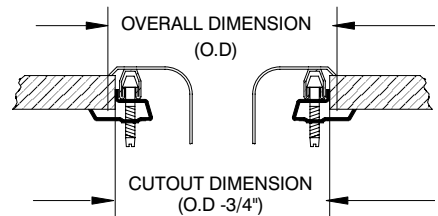


**Cut-Out Size**  
55 1/4" x 24 1/4"  
1 1/4" radius corners



Approx. Wt. 60 lbs.

## TYPICAL INSTALLATION



Cut-Out Size = L to R x F to B

Standard Mounting Clips Fit  
Countertops Over 7/8"  
& Up To 2" Thick.

