



STAINLESS STEEL

TUBULAR WALL MOUNTED KNOCKDOWN DRAINAGE SHELVES



Item #: _____ Qty #: _____
 Model #: _____
 Project #: _____

| Model | Length | Wt. | Cu. |
|----------|-----------|-----|-----|
| DT-6R-36 | 15" x 36" | 23 | 2 |
| DT-6R-48 | 15" x 48" | 32 | 3 |
| DT-6R-60 | 15" x 60" | 39 | 4 |
| DT-6R-72 | 15" x 72" | 46 | 5 |

FEATURES:

15" Deep, horizontal surface area accommodates a variety of drainage applications.

CONSTRUCTION:

Knock Down Design for ease of field installation and lower freight costs.

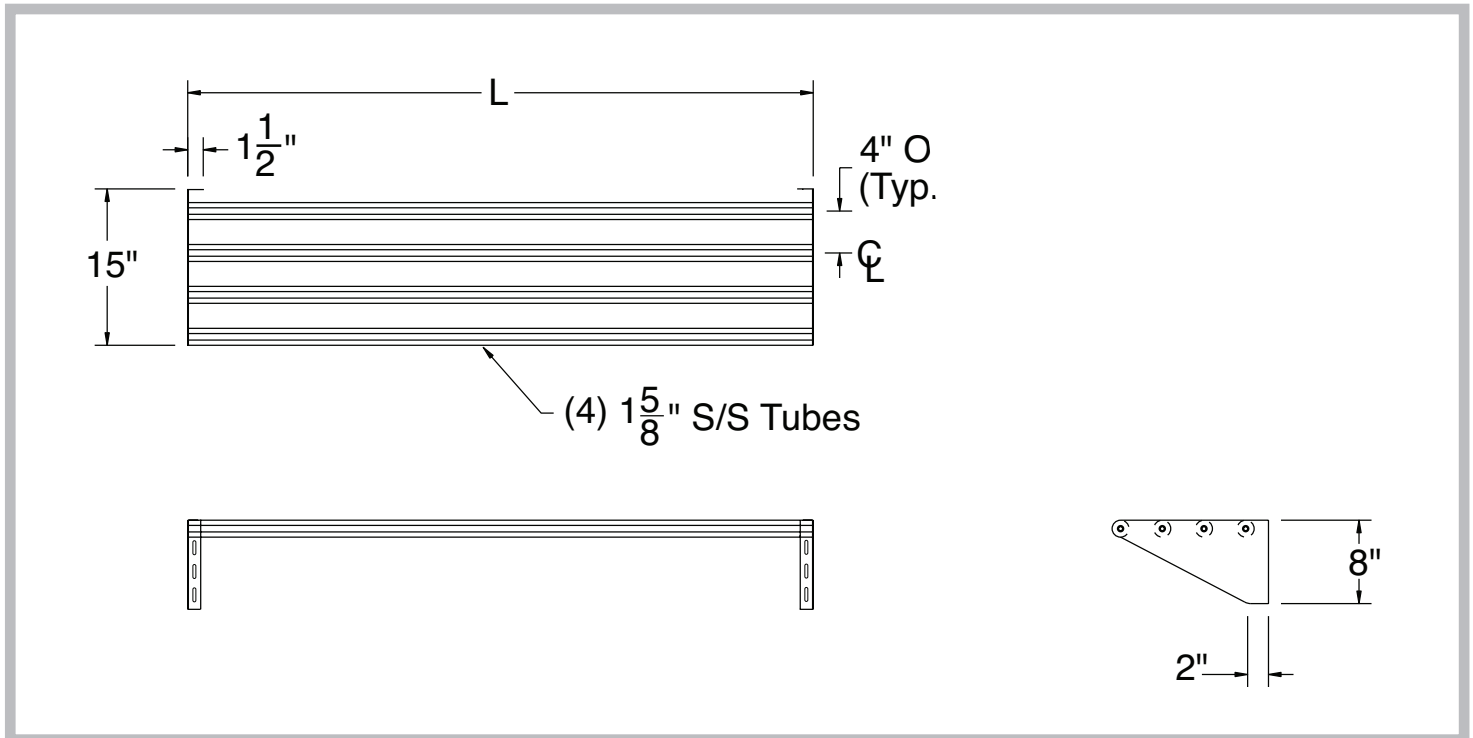
MATERIAL:

1 5/8" diameter stainless steel type "300" tubing.
 Side brackets type "300" stainless steel.

DETAILS and SPECIFICATIONS

TOL ± .500"

ALL DIMENSIONS ARE TYPICAL



www.advancetabco.com

Customer Service Available To Assist You 1-800-645-3166 8:30 am - 8:00 pm E.S.T.

For Orders & Customer Service:
 Email: customer@advancetabco.com or Fax: 631-242-6900

For Smart Fabrication™ Quotes:
 Email: smartfab@advancetabco.com or Fax: 631-586-2933