



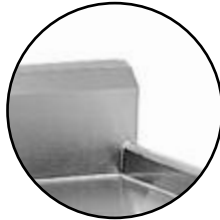
STAINLESS STEEL DISHTABLES ISLAND SOIL

NEW Tile Edge Design



SPEC-LINE
DTS-G30-60R Shown

**10-1/2" EXTRA LARGE
Bold Looking Backsplash
with 2" return and tile edge**



Item #: _____ **Qty #:** _____
Model #: _____
Project #: _____

Spec-Line: 14 ga. 304 Series Stainless Steel Top.
16 ga. 304 Stainless Steel Legs Stainless Steel Legs with Welded Cross Bracing & Stainless Steel Bullet Feet.

UPGRADED!
Standard: 16 ga. 304 Series Stainless Steel Top.
16 ga. 304 Stainless Steel Legs Stainless Steel Legs with Welded Cross Bracing & Stainless Steel Bullet Feet.

Super Saver: 16 ga. 304 Series Stainless Steel Top.
Galvanized Legs with Plastic Bullet Feet.

FEATURES:

- Tile edge for ease of installation.
- STANDARD & SUPERSAVER SOIL section features 5" deep sink bowl.
- SPEC-LINE SOIL section features 8" deep sink bowl.
- Dishtable system consists of SOIL and CLEAN sections.
- Table is furnished with 10-1/2" splash with a 2" return.

CONSTRUCTION:

- All TIG welded.
- Welded areas blended to match adjacent surfaces and to a satin finish.
- Stainless Steel Gussets welded to a stainless steel support channel.

MECHANICAL:

- Faucet holes in SPLASH punched on 8" centers, faucet not included.
- Waste drain is 1 1/2" IPS basket type and is included.

| ACCESSORIES | Model # | Qty |
|-------------|---------|-----|
| Faucet | | |
| Wall Shelf | | |
| Undershelf | | |
| | | |

| 14 Gauge 304 16 Ga. Stainless Steel Legs | 16 Gauge 304 Stainless Steel Legs | 16 Gauge 304 Galvanized Legs |
|---|--------------------------------------|---------------------------------|
|---|--------------------------------------|---------------------------------|

| Nominal Size | "L" | SPEC-LINE | STANDARD | SUPER SAVER | Approx. Wt. |
|--------------|------|-------------------|-------------------|-------------------|-------------|
| 4 Ft. | 47" | DTS-G30-48L or R | DTS-G70-48L or R | DTS-G60-48L or R | 165 lbs. |
| 5 Ft. | 59" | DTS-G30-60L or R | DTS-G70-60L or R | DTS-G60-60L or R | 190 lbs. |
| 6 Ft. | 71" | DTS-G30-72L or R | DTS-G70-72L or R | DTS-G60-72L or R | 215 lbs. |
| 7 Ft. | 83" | DTS-G30-84L or R | DTS-G70-84L or R | DTS-G60-84L or R | 225 lbs. |
| 8 Ft. | 95" | DTS-G30-96L or R | DTS-G70-96L or R | DTS-G60-96L or R | 240 lbs. |
| 9 Ft. | 107" | DTS-G30-108L or R | DTS-G70-108L or R | DTS-G60-108L or R | 335 lbs. |
| 10 Ft. | 119" | DTS-G30-120L or R | DTS-G70-120L or R | DTS-G60-120L or R | 370 lbs. |
| 12 Ft. | 143" | DTS-G30-144L or R | DTS-G70-144L or R | DTS-G60-144L or R | 380 lbs. |

Nominal sizing on all dishtables for ease of installation.



Customer Service Available To Assist You 1-800-645-3166 8:30 am - 8:00 pm E.S.T.
 Email Orders To: customer@advancetabco.com. For Smart Fabrication™ Quotes, Email To: smartfab@advancetabco.com or Fax To: 631-586-2933

NEW YORK
Fax: (631) 242-6900

GEORGIA
Fax: (770) 775-5625

TEXAS
Fax: (972) 932-4795

NEVADA
Fax: (775) 972-1578

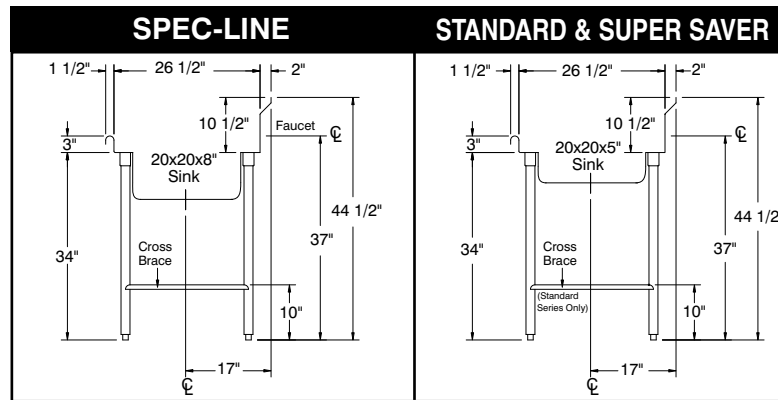
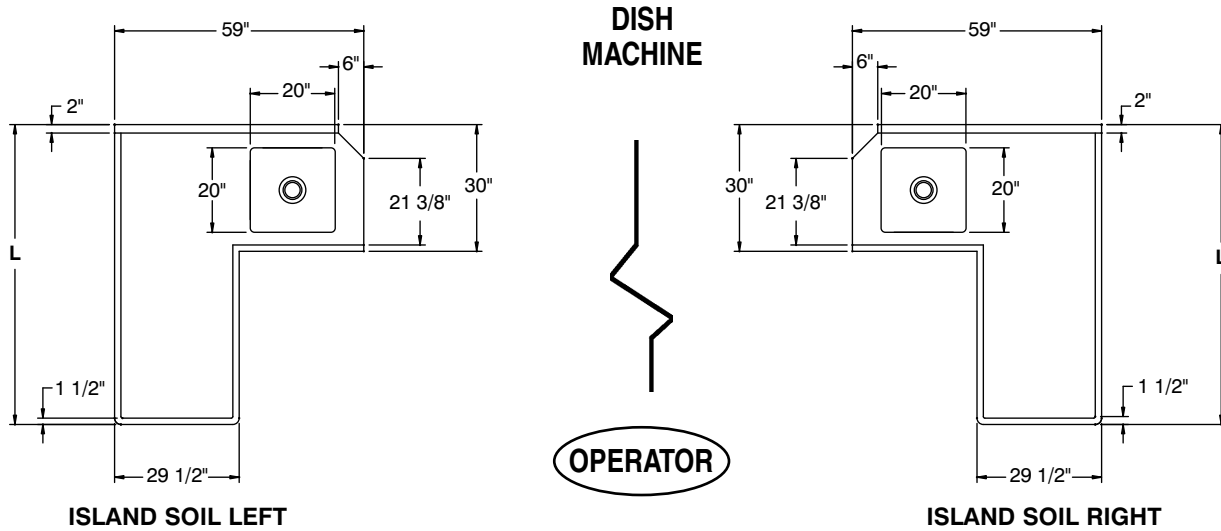
DIMENSIONS and SPECIFICATIONS

TOL ± .500"

ALL DIMENSIONS ARE TYPICAL

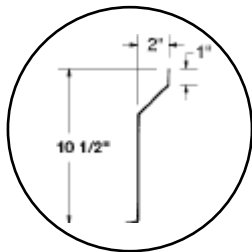
SEE DISH MACHINE COMPATIBILITY CHART TO ENSURE PROPER FIT

Dish Machine Compatibility Chart can be found on our website at www.advancetabco.com under "Product Support"



*CUSTOMIZE YOUR OWN SYSTEM
by Ordering Optional Accessories from our
PRODUCT & PRICE GUIDE*

Splash Detail



| Description | SPEC-LINE | STANDARD | SUPER SAVER |
|------------------------------|-------------------|-------------------|-------------------|
| Material | 14 Ga. 304 Series | 16 Ga. 304 Series | 16 Ga. 304 Series |
| 1 5/8" Dia. Legs | Stainless Steel | Stainless Steel | Galvanized |
| Gussets | Stainless Steel | Stainless Steel | Stainless Steel |
| Bullet Feet (1" adj.) | Stainless Steel | Stainless Steel | Plastic |
| Cross Bracing | Welded | Welded | Optional |
| Prerinse Bowl Depth | 8" | 5" | 5" |
| Prerinse Basket | Included | Optional | Optional |

