



STAINLESS STEEL DISHTABLES SOIL STRAIGHT

NEW Tile Edge Design



SPEC-LINE
DTS-S30-60L Shown

**10-1/2" EXTRA LARGE
Bold Looking Backsplash
with 2" return and tile edge**



ACCESSORIES	Model #	Qty
Faucet		
Wall Shelf		
Undershelf		

Item #: _____ **Qty #:** _____

Model #: _____

Project #: _____

Spec-Line: 14 ga. 304 Series Stainless Steel Top.
Stainless Steel Legs with Welded Cross Bracing.
16 ga. 304 Stainless Steel Legs with
Stainless Steel Bullet Feet.

UPGRADED!
Standard: 16 ga. 304 Series Stainless Steel Top.
Stainless Steel Welded Cross Bracing.
Stainless Steel Legs with Stainless Steel Bullet Feet.

Super Saver: 16 ga. 304 Series Stainless Steel Top.
Galvanized Legs with Plastic Bullet Feet.

FEATURES:

Tile edge for ease of installation.
STANDARD & SUPERSAVER SOIL section features 5" deep sink bowl.
SPEC-LINE SOIL section features 8" deep sink bowl.
Dishtable system consists of SOIL and CLEAN sections.
Table is furnished with 10-1/2" splash with a 2" return.

CONSTRUCTION:

All TIG welded.
Welded areas blended to match adjacent surfaces and to a satin finish.
Stainless Steel Gussets welded to a stainless steel support channel.

MECHANICAL:

Faucet holes in SPLASH punched on 8" centers, faucet not included.
Waste drain is 1 1/2" IPS basket type and is included.

Nominal sizing on all dishtables for ease of installation.

Nominal Size	"L"	14 Gauge 304 TOP	16 Gauge 304 TOP	16 Gauge 304 TOP	Approx. Wt.
		16 Ga. Stainless Steel Legs	Stainless Steel Legs	Galvanized Legs	
		SPEC-LINE	STANDARD	SUPER SAVER	
3 Ft.	35"	DTS-S30-36L or R	DTS-S70-36L or R	DTS-S60-36L or R	70 lbs.
4 Ft.	47"	DTS-S30-48L or R	DTS-S70-48L or R	DTS-S60-48L or R	85 lbs.
5 Ft.	59"	DTS-S30-60L or R	DTS-S70-60L or R	DTS-S60-60L or R	100 lbs.
6 Ft.	71"	DTS-S30-72L or R	DTS-S70-72L or R	DTS-S60-72L or R	115 lbs.
7 Ft.	83"	DTS-S30-84L or R	DTS-S70-84L or R	DTS-S60-84L or R	125 lbs.
8 Ft.	95"	DTS-S30-96L or R	DTS-S70-96L or R	DTS-S60-96L or R	135 lbs.
9 Ft.	107"	DTS-S30-108L or R	DTS-S70-108L or R	DTS-S60-108L or R	235 lbs.
10 Ft.	119"	DTS-S30-120L or R	DTS-S70-120L or R	DTS-S60-120L or R	290 lbs.
12 Ft.	143"	DTS-S30-144L or R	DTS-S70-144L or R	DTS-S60-144L or R	300 lbs.



NEW YORK (800) 645-3166 Fax: (631) 242-6900
GEORGIA (800) 832-1218 Fax: (770) 775-5625
TEXAS (800) 527-0353 Fax: (972) 932-4795
NEVADA (800) 446-8684 Fax: (775) 972-1578

For Assistance with Smart Modifications & Accessories Call: 1-800-498-6634 Fax: 631-586-2933
 smartfab@advancetabco.com

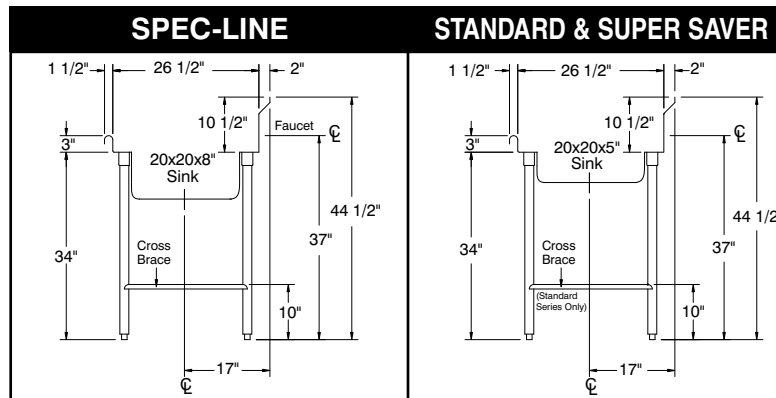
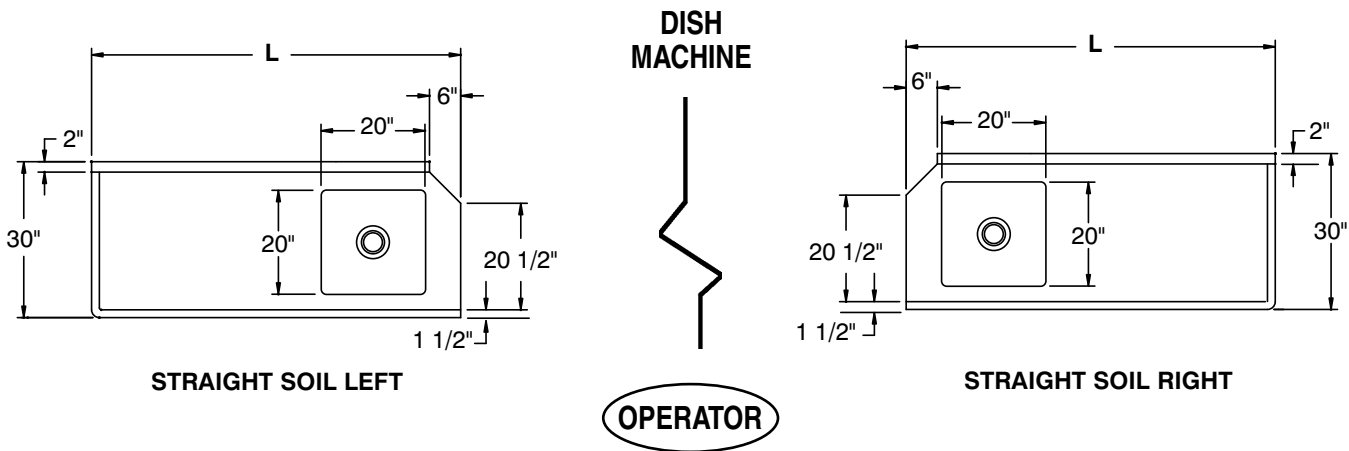
DIMENSIONS and SPECIFICATIONS

TOL ± .500"

ALL DIMENSIONS ARE TYPICAL

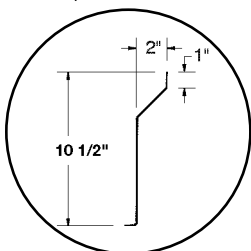
SEE DISH MACHINE COMPATIBILITY CHART TO ENSURE PROPER FIT

Dish Machine Compatibility Chart can be found on our website at www.advancetabco.com under "Product Support"



*CUSTOMIZE YOUR OWN SYSTEM
by Ordering Optional Accessories from our
PRODUCT & PRICE GUIDE*

Splash Detail



Description	SPEC-LINE	STANDARD	SUPER SAVER
Material	14 Ga. 304 Series	16 Ga. 304 Series	16 Ga. 304 Series
1 5/8" Dia. Legs	Stainless Steel	Stainless Steel	Galvanized
Gussets	Stainless Steel	Stainless Steel	Stainless Steel
Bullet Feet (1" adj.)	Stainless Steel	Stainless Steel	Plastic
Cross Bracing	Welded	Welded	Optional
Prerinse Bowl Depth	8"	5"	5"
Prerinse Basket	Included	Optional	Optional

