



STAINLESS STEEL

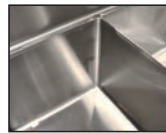
# FABRICATED ECONOMY SINKS

## Three & Four Compartments

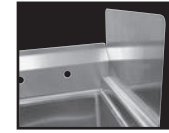


Rolled Rim Edge For Additional Strength

Item #: \_\_\_\_\_ Qty #: \_\_\_\_\_  
 Model #: \_\_\_\_\_  
 Project #: \_\_\_\_\_



Fabricated Bowls are Welded Together at the Seams



**K-700**  
 Removable Side Splashes  
 Fits Left OR Right Side

### FEATURES:

- Backsplash has tile edge for ease of installation.
- Sink bowls are 3/4" coved corner and meet NSF requirements.
- Rolled Rim Edge for additional strength.
- Sink Bowls are 14" deep for greater capacity.

### CONSTRUCTION:

- All TIG welded.
- Welded areas blended to match adjacent surfaces and to a satin finish.
- Gussets welded to a die-formed reinforced plate.

### MATERIAL:

- 1 5/8" diameter stainless steel legs with 1" adjustable stainless steel bullet feet.
- Entire unit is 16 gauge 304 stainless steel.
- Gussets - stainless steel.

### MECHANICAL:

- Supply is 1/2" IPS hot & cold.
- Faucet holes on 8" centers.
- Faucets are not included (see accessories).
- Waste drains are 1 1/2" IPS S/S basket type, located in center of sink bowl, and are included.

	MODEL #	Length L	Width W	Bowl Size A & B	Drbd. Length C	# of Drbrds.	Drbd. Location	Wt
<b>3 COMPARTMENT</b>	<b>FC-3-1515</b>	50"	20 1/2"		N/A	0	None	110 lbs.
	<b>FC-3-1515-15RorL</b>	62 1/2"	20 1/2"	<b>15"x15"</b>	15"	1	Specify	120 lbs.
	<b>FC-3-1515-15RL</b>	75"	20 1/2"		15"	2	R & L	120 lbs.
	<b>FC-3-1620</b>	53"	26"		N/A	0	None	120 lbs.
	<b>FC-3-1620-18RorL</b>	68 1/2"	26"	<b>16"x20"</b>	18"	1	Specify	135 lbs.
	<b>FC-3-1620-18RL</b>	84"	26"		18"	2	R & L	150 lbs.
	<b>FC-3-1620-24RL</b>	96"	26"		24"	2	R & L	205 lbs.
	<b>FC-3-1620-36RL</b>	120"	26"		36"	2	R & L	240 lbs.
	<b>FC-3-1818</b>	59"	24"		N/A	0	None	120 lbs.
	<b>FC-3-1818-18RorL</b>	74 1/2"	24"	<b>18"x18"</b>	18"	1	Specify	128 lbs.
	<b>FC-3-1818-24RorL</b>	80 1/2"	24"		24"	1	Specify	136 lbs.
	<b>FC-3-1818-18RL</b>	90"	24"		18"	2	R & L	140 lbs.
	<b>FC-3-1818-24RL</b>	102"	24"		24"	2	R & L	150 lbs.
	<b>FC-3-1824</b>	59"	30"		N/A	0	None	135 lbs.
	<b>FC-3-1824-18RorL</b>	74 1/2"	30"	<b>18"x24"</b>	18"	1	Specify	142 lbs.
	<b>FC-3-1824-24RorL</b>	80 1/2"	30"		24"	1	Specify	150 lbs.
	<b>FC-3-1824-18RL</b>	90"	30"		18"	2	R & L	265 lbs.
	<b>FC-3-1824-24RL</b>	102"	30"		24"	2	R & L	300 lbs.
	<b>FC-3-2030-20RL</b>	100"	36"	<b>20"x30"</b>	20"	2	R & L	315 lbs.
	<b>FC-3-2030-24RL</b>	108"	36"		24"	2	R & L	355 lbs.
<b>FC-3-2030-30RL</b>	120"	36"	30"		2	R & L	370 lbs.	
<b>† FC-3-2424</b>	77"	30"		N/A	0	None	175 lbs.	
<b>† FC-3-2424-18RorL</b>	92.5"	30"	<b>24"x24"</b>	18"	1	Specify	310 lbs.	
<b>† FC-3-2424-18RL</b>	108"	30"		18"	2	R&L	330 lbs.	
<b>† FC-3-2424-24RorL</b>	98 1/2"	30"		24"	1	Specify	330 lbs.	
<b>† FC-3-2424-24RL</b>	120"	30"		24"	2	R & L	350 lbs.	
<b>4 COMP.</b>	<b>† FC-4-1818-18RL</b>	108"	30"	<b>18"x18"</b>	18"	2	R & L	270 lbs.
	<b>† FC-4-1824-18RL</b>	108"	24"	<b>18"x24"</b>	18"	2	R & L	325 lbs.
	<b>† FC-4-2424-24RL</b>	144"	30"	<b>24"x24"</b>	24"	2	R & L	355 lbs.

† Requires Two Sets of Faucets



Customer Service Available To Assist You **1-800-645-3166** 8:30 am - 8:00 pm E.S.T.

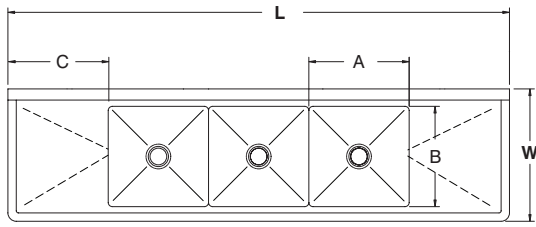
For Orders & Customer Service:  
 Email: customer@advancetabco.com or Fax: 631-242-6900

For Smart Fabrication™ Quotes:  
 Email: smartfab@advancetabco.com or Fax: 631-586-2933

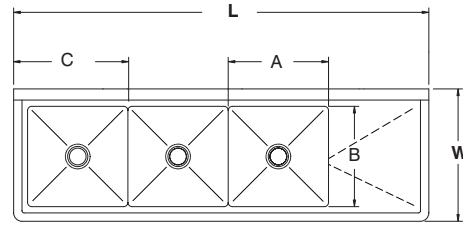
# DIMENSIONS and SPECIFICATIONS

TOL Overall:  $\pm .500"$   
 Interior:  $\pm .250"$

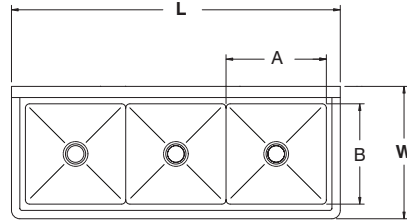
ALL DIMENSIONS ARE TYPICAL



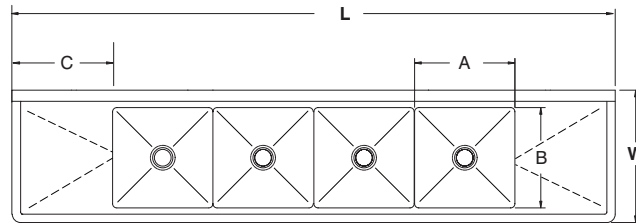
**3 COMP - 2 DRBD**



**3 COMP - 1 DRBD**



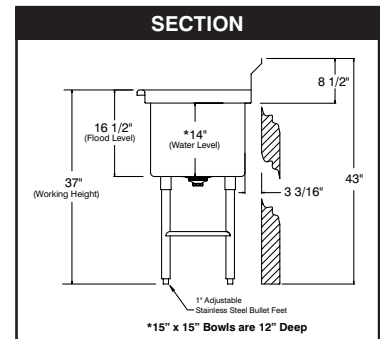
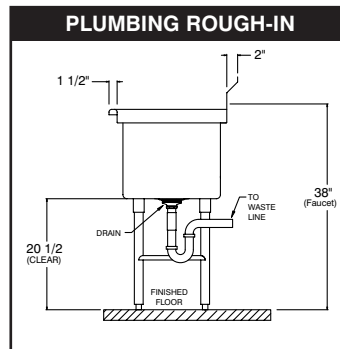
**3 COMP**



**4 COMP - 2 DRBD**

**ACCESSORIES**

	Model #	Qty
DRAINS		
FAUCETS		



ADVANCE TABCO is constantly engaged in a program of improving our products. Therefore, we reserve the right to change specifications without prior notice.