



STAINLESS STEEL

SPECLINE 14 Ga. Fabricated Sinks

Double Compartments



Item #:	_____	Qty #:	_____
Model #:	_____		
Project #:	_____		

FEATURES:

- Full Skirt Design
- Backsplash has tile edge for ease of installation.
- Sink bowls are 3/4" coved corner and meet NSF requirements.
- Rolled Rim Edge for additional strength.
- Sink Bowls are 14" deep for greater capacity.
- Stainless Steel Legs and Cross Bracing.

CONSTRUCTION:

- All TIG welded.
- Welded areas blended to match adjacent surfaces and to a satin finish.

MATERIAL:

- 1 5/8" diameter stainless steel legs with 1" adjustable stainless steel bullet feet.
- Entire unit is 14 gauge 304 stainless steel.
- Stainless Steel Gussets.

MECHANICAL:

- Supply is 1/2" IPS hot & cold.
- Faucet holes on 8" centers.
- Faucets are not included (**see accessories**).
- Waste drains are 1 1/2" IPS S/S basket type, located in center of sink bowl, and are included.

MODEL #	BOWL SIZE	O.A. Length	# of Drbds.
FS-2-1524	15" x 24"	35"	0
FS-2-1524-24RorL	15" x 24"	56.5"	1
FS-2-1524-24RL	15" x 24"	78"	2
FS-2-1818	18" x 18"	41"	0
FS-2-1818-18RorL	18" x 18"	56.5"	1
FS-2-1818-18RL	18" x 18"	72"	2
FS-2-1824	18" x 24"	41"	0
FS-2-1824-18RorL	18" x 24"	56.5"	1
FS-2-1824-24RorL	18" x 24"	62.5"	1
FS-2-1824-18RL	18" x 24"	72"	2
FS-2-1824-24RL	18" x 24"	84"	2
FS-2-2024	20" x 24"	45"	0
FS-2-2424	24" x 24"	53"	0
FS-2-2424-18RorL	24" x 24"	68.5"	1
FS-2-2424-24RorL	24" x 24"	74.5"	1
FS-2-2424-18RL	24" x 24"	84"	2
FS-2-2424-24RL	24" x 24"	96"	2
FS-2-3024	30" x 24"	65"	0
FS-2-3024-24RorL	30" x 24"	86.5"	1
FS-2-3024-24RL	30" x 24"	108"	2

ACCESSORIES	Model #	Qty
DRAINS		
FAUCETS		



Customer Service Available To Assist You 1-800-645-3166 8:30 am - 8:00 pm E.S.T.

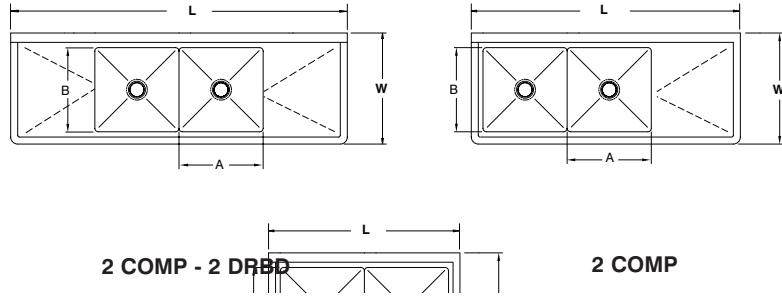
For Orders & Customer Service:
 Email: customer@advancetabco.com or Fax: 631-242-6900

For Smart Fabrication™ Quotes:
 Email: smartfab@advancetabco.com or Fax: 631-586-2933

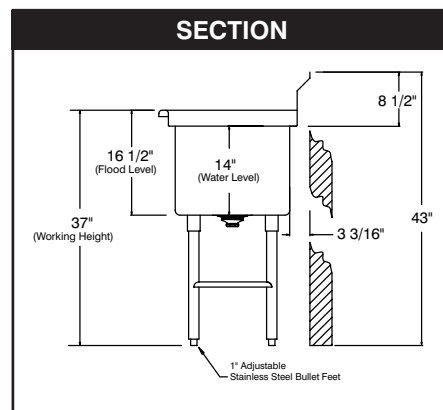
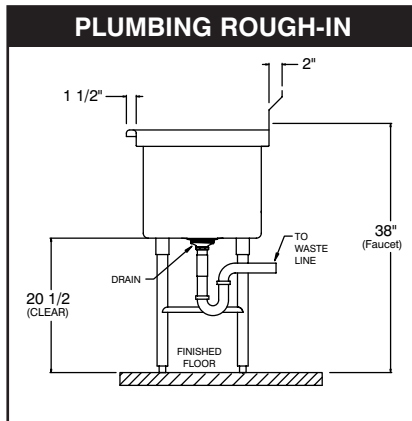
DIMENSIONS and SPECIFICATIONS

TOL Overall: ± .500"
Interior: ± .250"

ALL DIMENSIONS ARE TYPICAL



MODEL #	Length L	Width W	Bowl Size A & B	Drbd. Length C	# of Drbds.	Drbd. Location	Wt	Cu.
FS-2-1524	35"	29.5"	15" x 24"	0	0	None	93 lbs	23
FS-2-1524-24R or L	56.5"	29.5"	15" x 24"	24"	1	Specify	115 lbs	41
FS-2-1524-24RL	78"	29.5"	15" x 24"	24"	2	Both	130 lbs	47
FS-2-1818	41"	23.5"	18" x 18"	N/A	0	None	98 lbs	18
FS-2-1818-18RorL	56.5"	23.5"	18" x 18"	18"	1	Specify	110 lbs	26
FS-2-1818-18RL	72"	23.5"	18" x 18"	18"	2	Both	125 lbs	30
FS-2-1824	41"	29.5"	18" x 24"	0	0	None	149 lbs	26
FS-2-1824-18R or L	56.5"	29.5"	18" x 24"	18"	1	Specify	169 lbs	35
FS-2-1824-24R or L	62.5"	29.5"	18" x 24"	24"	1	Specify	190 lbs	39
FS-2-1824-18RL	72"	29.5"	18" x 24"	18"	2	Both	220 lbs	44
FS-2-1824-24RL	84"	29.5"	18" x 24"	24"	2	Both	240 lbs	51
FS-2-2024	45"	29.5"	20" x 24"	0	0	None	169 lbs	28
FS-2-2424	53"	29.5"	24" x 24"	0	0	None	179 lbs	33
FS-2-2424-18R or L	68.5"	29.5"	24" x 24"	18"	1	Specify	200 lbs	42
FS-2-2424-24R or L	74.5"	29.5"	24" x 24"	24"	1	Specify	220 lbs	46
FS-2-2424-18RL	84"	29.5"	24" x 24"	18"	2	Specify	245 lbs	51
FS-2-2424-24RL	96"	29.5"	24" x 24"	24"	2	Specify	270 lbs	58
FS-2-3024	65"	29.5"	30" x 24"	0	0	None	265 lbs	40
FS-2-3024-24R or L	86.5"	29.5"	30" x 24"	24"	1	Specify	300 lbs	52
FS-2-3024-24RL	108"	29.5"	30" x 24"	24"	2	RBoth	320 lbs	64



ADVANCE TABCO is constantly engaged in a program of improving our products. Therefore, we reserve the right to change specifications without prior notice.