



STAINLESS STEEL

# SPECLINE 14 Ga. Fabricated Sinks NSF

## Triple Compartments

Item #: \_\_\_\_\_ Qty #: \_\_\_\_\_  
 Model #: \_\_\_\_\_  
 Project #: \_\_\_\_\_



**FEATURES:**

- Full Skirt Design
- Backsplash has tile edge for ease of installation.
- Sink bowls are 3/4" coved corner and meet NSF requirements.
- Rolled Rim Edge for additional strength.
- Sink Bowls are 14" deep for greater capacity.
- Stainless Steel Legs and Cross Bracing.

**CONSTRUCTION:**

- All TIG welded.
- Welded areas blended to match adjacent surfaces and to a satin finish.

**MATERIAL:**

- 1 5/8" diameter stainless steel legs with 1" adjustable stainless steel bullet feet.
- Entire unit is 14 gauge 304 stainless steel.
- Stainless Steel Gussets.

**MECHANICAL:**

- Supply is 1/2" IPS hot & cold.
- Faucet holes on 8" centers.
- Faucets are not included (see accessories).
- Waste drains are 1 1/2" IPS S/S basket type, located in center of sink bowl, and are included.

| MODEL #              | BOWL SIZE | O.A. Length | # of Drbds. |
|----------------------|-----------|-------------|-------------|
| FS-3-1524            | 15" x 24" | 50"         | 0           |
| FS-3-1524-24R or L   | 15" x 24" | 71.5"       | 1           |
| FS3-1524-24RL        | 15" x 24" | 93"         | 2           |
| FS-3-1818            | 18" x 18" | 59"         | 0           |
| FS-3-1818-18R or L   | 18" x 18" | 74.5"       | 1           |
| FS-3-1818-18RL       | 18" x 18" | 90"         | 2           |
| FS-3-1824            | 18" x 24" | 59"         | 0           |
| FS-3-1824-18R or L   | 18" x 24" | 74.5"       | 1           |
| FS-3-1824-24R or L   | 18" x 24" | 80.5"       | 1           |
| FS-3-1824-18RL       | 18" x 24" | 90"         | 2           |
| FS-3-1824-24RL       | 18" x 24" | 102"        | 2           |
| FS-3-2024            | 20" x 24" | 65"         | 0           |
| FS-3-2024-24R or L   | 20" x 24" | 86.5"       | 1           |
| FS-3-2024-24RL       | 20" x 24" | 108"        | 2           |
| † FS-3-2424          | 24" x 24" | 77"         | 0           |
| † FS-3-2424-18R or L | 24" x 24" | 92.5"       | 1           |
| † FS-3-2424-24R or L | 24" x 24" | 98.5"       | 1           |
| † FS-3-2424-18RL     | 24" x 24" | 108"        | 2           |
| † FS-3-2424-24RL     | 24" x 24" | 120"        | 2           |

Requires Two Faucets

| ACCESSORIES | Model # | Qty |
|-------------|---------|-----|
| DRAINS      |         |     |
| FAUCETS     |         |     |
|             |         |     |



Customer Service Available To Assist You 1-800-645-3166 8:30 am - 8:00 pm E.S.T.

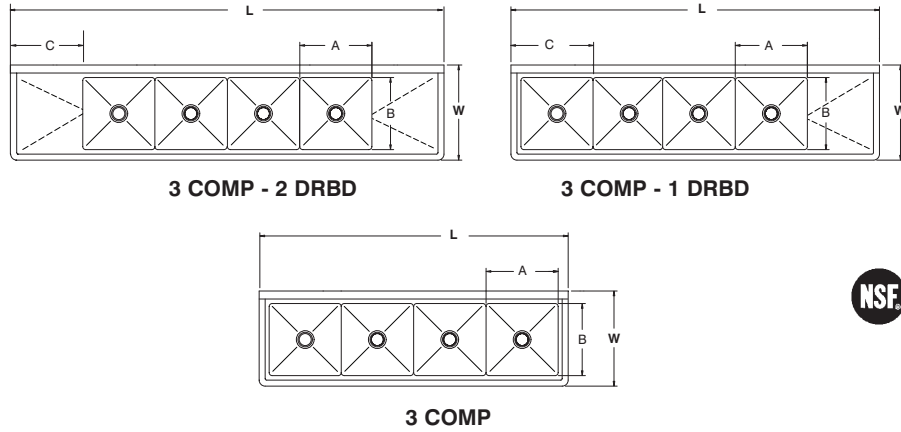
For Orders & Customer Service:  
 Email: customer@advancetabco.com or Fax: 631-242-6900

For Smart Fabrication™ Quotes:  
 Email: smartfab@advancetabco.com or Fax: 631-586-2933

# DIMENSIONS and SPECIFICATIONS

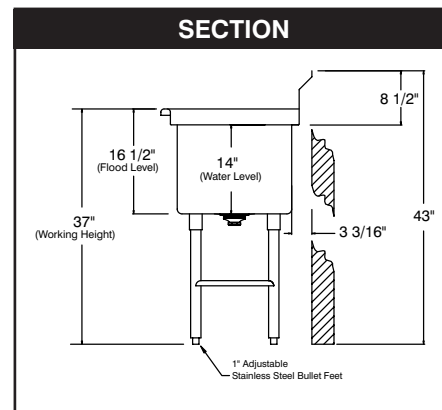
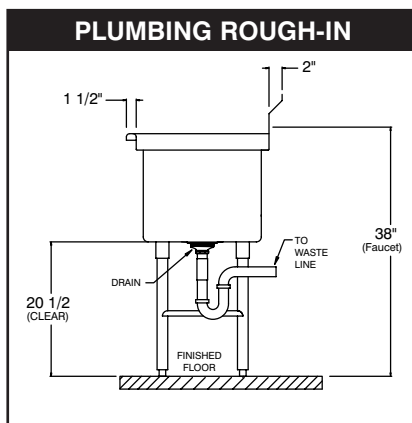
TOL Overall: ± .500"  
Interior: ± .250"

ALL DIMENSIONS ARE TYPICAL



| MODEL #              | Length<br>L | Width<br>W | Bowl Size<br>A & B | Drbd. Length<br>C | # of<br>Drbds. | Drbd.<br>Location | Wt      | Cu. |
|----------------------|-------------|------------|--------------------|-------------------|----------------|-------------------|---------|-----|
| FS-3-1524            | 50"         | 29.5"      | 15" x 24"          | 0                 | 0              | None              | 116 lbs | 31  |
| FS-3-1524-24R or L   | 71.5"       | 29.5"      | 15" x 24"          | 24"               | 1              | specify           | 139 lbs | 44  |
| FS-3-1524-24RL       | 93"         | 29.5"      | 15" x 24"          | 24"               | 2              | Both              | 163 lbs | 56  |
| FS-3-1818            | 59"         | 23.5"      | 18" x 18"          | 0                 | 0              | None              | 130 lbs | 25  |
| FS-3-1818-18R or L   | 74.5"       | 23.5"      | 18" x 18"          | 18"               | 1              | Specify           | 150 lbs | 31  |
| FS-3-1818-18RL       | 90"         | 23.5"      | 18" x 18"          | 18"               | 2              | Both              | 170 lbs | 52  |
| FS-3-1824            | 59"         | 29.5"      | 18" x 24"          | 0                 | 0              | None              | 158 lbs | 36  |
| FS-3-1824-18R or L   | 74.5"       | 29.5"      | 18" x 24"          | 18"               | 1              | Specify           | 174 lbs | 46  |
| FS-3-1824-24R or L   | 80.5"       | 29.5"      | 18" x 24"          | 24"               | 1              | Specify           | 187 lbs | 49  |
| FS-3-1824-18RL       | 90"         | 29.5"      | 18" x 24"          | 18"               | 2              | Both              | 310 lbs | 54  |
| FS-3-1824-24RL       | 102"        | 29.5"      | 18" x 24"          | 24"               | 2              | Both              | 375 lbs | 61  |
| FS-3-2024            | 65"         | 29.5"      | 20" x 24"          | 0                 | 0              | None              | 165 lbs | 40  |
| FS-3-2024-24R or L   | 86.5"       | 29.5"      | 20" x 24"          | 24"               | 1              | Specify           | 182 lbs | 52  |
| FS-3-2024-24RL       | 108"        | 29.5"      | 20" x 24"          | 24"               | 2              | Both              | 198 lbs | 64  |
| † FS-3-2424          | 77"         | 29.5"      | 24" x 24"          | 0                 | 0              | None              | 329 lbs | 47  |
| † FS-3-2424-18R or L | 92.5"       | 29.5"      | 24" x 24"          | 18"               | 1              | Specify           | 353 lbs | 56  |
| † FS-3-2424-24R or L | 98.5"       | 29.5"      | 24" x 24"          | 24"               | 1              | Specify           | 369 lbs | 59  |
| † FS-3-2424-18RL     | 108"        | 29.5"      | 24" x 24"          | 18"               | 2              | Both              | 382 lbs | 64  |
| † FS-3-2424-24RL     | 120"        | 29.5"      | 24" x 24"          | 24"               | 2              | Both              | 405 lbs | 71  |

† Requires Two Faucets



ADVANCE TABCO is constantly engaged in a program of improving our products. Therefore, we reserve the right to change specifications without prior notice.