



STAINLESS STEEL

SPECLINE 14 Ga. Fabricated Sinks NSF

Triple Compartments

Item #: _____ Qty #: _____
 Model #: _____
 Project #: _____



Rolled Rim Edge For Additional Strength

FEATURES:

- Full Skirt Design
- Backsplash has tile edge for ease of installation.
- Sink bowls are 3/4" covered corner and meet NSF requirements.
- Rolled Rim Edge for additional strength.
- Sink Bowls are 14" deep for greater capacity.
- Stainless Steel Legs with adjustable stainless steel bullet feet.
- Adjustable front-to-back cross-bracing.

CONSTRUCTION:

- All TIG welded.
- Welded areas blended to match adjacent surfaces and to a satin finish.

MATERIAL:

- 1 5/8" diameter stainless steel legs with 1" adjustable stainless steel bullet feet.
- Entire unit is 14 gauge 304 stainless steel.
- Stainless Steel Gussets.

MECHANICAL:

- Supply is 1/2" IPS hot & cold.
- Faucet holes on 8" centers.
- Faucets are not included (**see accessories**).
- Waste drains are 1 1/2" IPS S/S basket type, located in center of sink bowl, and are included.

MODEL #	Length L	Width W	Bowl Size A & B	Drbd. Length C	# of Drbds.	Drbd. Location	Wt	Cu.
FS-3-1620	53"	26"	16" x 20"	0	0	None	140 lbs	27
FS-3-1620-18RorL	68.5"	26"		18"	1	Specify	160 lbs	35
FS-3-1620-18RL	84"	26"		18"	2	R & L	155 lbs	36
FS-3-1620-24RL	96"	26"		24"	2	R & L	235 lbs	47
FS-3-1620-36RL	120"	26"		36"	2	R & L	280 lbs	59
FS-3-1524	50"	30"	15" x 24"	0	0	None	116 lbs	31
FS-3-1524-24RorL	71.5"	30"		24"	1	Specify	139 lbs	44
FS-3-1524-24RL	93"	30"		24"	2	R & L	163 lbs	56
FS-3-1818	59"	24"	18" x 18"	0	0	None	130 lbs	25
FS-3-1818-18RorL	74.5"	24"		18"	1	Specify	150 lbs	31
FS-3-1818-18RL	90"	24"		18"	2	R & L	170 lbs	52
FS-3-1824	59"	30"	18" x 24"	0	0	None	158 lbs	36
FS-3-1824-18RorL	74.5"	30"		18"	1	Specify	174 lbs	46
FS-3-1824-24RorL	80.5"	30"		24"	1	Specify	187 lbs	49
FS-3-1824-18RL	90"	30"		18"	2	R & L	310 lbs	54
FS-3-1824-24RL	102"	30"		24"	2	R & L	375 lbs	61
FS-3-2024	65"	30"	20" x 24"	0	0	None	165 lbs	40
FS-3-2024-24RorL	86.5"	30"		24"	1	Specify	182 lbs	52
FS-3-2024-24RL	108"	30"		24"	2	R & L	198 lbs	64
† FS-3-2424	77"	30"	24" x 24"	0	0	None	329 lbs	47
† FS-3-2424-18RorL	92.5"	30"		18"	1	Specify	353 lbs	56
† FS-3-2424-24RorL	98.5"	30"		24"	1	Specify	369 lbs	59
† FS-3-2424-18RL	108"	30"		18"	2	R & L	382 lbs	64
† FS-3-2424-24RL	120"	30"		24"	2	R & L	405 lbs	71
† FS-3-2430	77"	36"	24" x 30"	N/A	0	None	240 lbs.	38
† FS-3-2430-24RorL	99"	36"		24"	1	Specify	450 lbs.	59
† FS-3-2430-30RorL	105"	36"		30"	1	Specify	510 lbs.	62
† FS-3-2430-36RorL	111"	36"		36"	1	Specify	540 lbs.	66
† FS-3-2430-24RL	120"	36"		24"	2	R & L	480 lbs.	81
† FS-3-2430-30RL	132"	36"		30"	2	R & L	535 lbs.	86
† FS-3-2430-36RL	144"	36"		36"	2	R & L	590 lbs.	93
† FS-3-3024	95"	30"	30" x 24"	N/A	0	None	240 lbs.	38
† FS-3-3024-24RorL	117"	30"		24"	1	Specify	450 lbs.	59
† FS-3-3024-30RorL	123"	30"		30"	1	Specify	510 lbs.	62
† FS-3-3024-36LorR	129"	30"		36"	1	Specify	540 lbs.	66
† FS-3-3024-24RL	138"	30"		24"	2	R & L	480 lbs.	81
† FS-3-3024-30RL	150"	30"		30"	2	R & L	535 lbs.	86
† FS-3-3024-36RL	162"	30"		36"	2	R & L	590 lbs.	93
† FS-3-3030	95"	36"	30" x 30"	N/A	0	None	290 lbs.	43
† FS-3-3030-24RL	138"	36"		24"	2	R & L	565 lbs.	43
† FS-3-3030-30RL	150"	36"		30"	2	R & L	620 lbs.	78
† FS-3-3030-36RL	162"	36"		36"	2	R & L	680 lbs.	86

† Requires Two Faucets



Customer Service Available To Assist You 1-800-645-3166 8:30 am - 7:00 pm E.S.T.

For Orders & Customer Service:

Email: customer@advancetabco.com or Fax: 631-242-6900

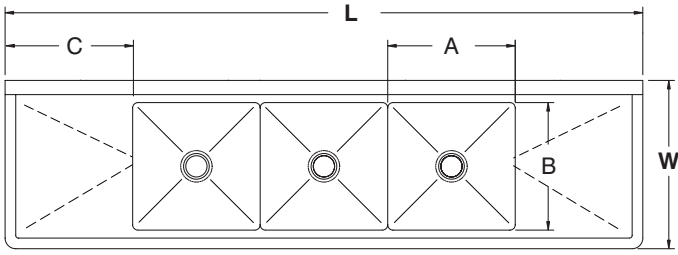
For Smart Fabrication™ Quotes:

Email: smartfab@advancetabco.com or Fax: 631-586-2933

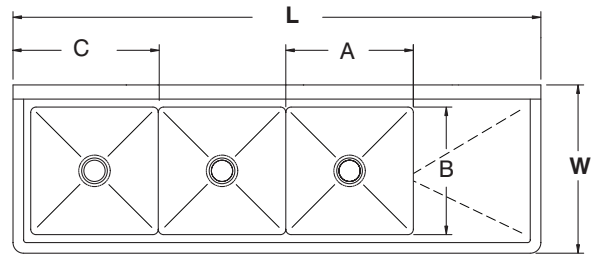
DIMENSIONS and SPECIFICATIONS

TOL Overall: $\pm .500''$
 Interior: $\pm .250''$

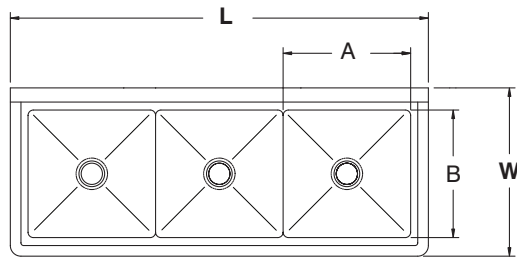
ALL DIMENSIONS ARE TYPICAL



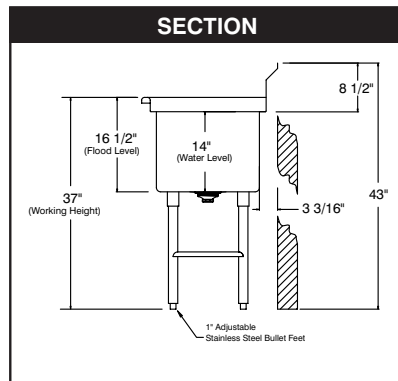
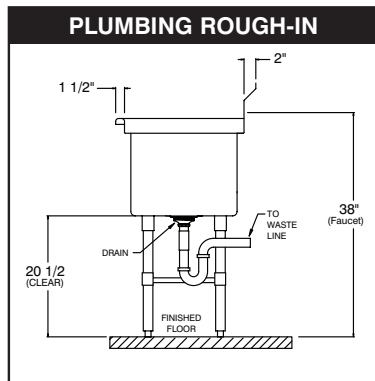
3 COMP - 2 DRBD



3 COMP - 1 DRBD



3 COMP - NO DRBDS



ACCESSORIES

	Model #	Qty
DRAINS		
FAUCETS		

OPTIONAL MODIFICATIONS:

K-450	Extend Drainboard Length <i>(Drainboards over 36" Are Not Creased or Pitched.)</i>
K-470	Modify Bowl Depth

[See our full line of Modifications & Accessories on the web!](#)

