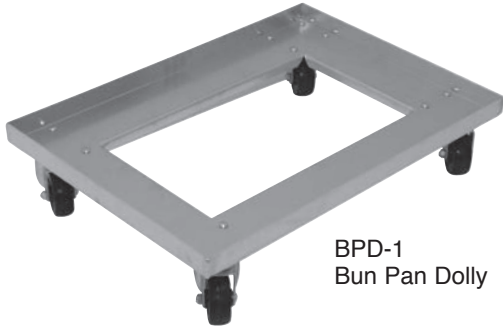




ALUMINUM

# DOLLIES & TRUCKS

## Bun Pan Dolly - Glass Rack Dolly - Pan Truck



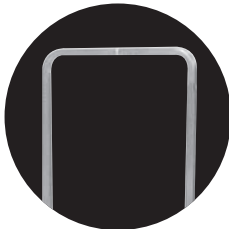
BPD-1  
Bun Pan Dolly



PD-1  
Pan Truck



GRD-1  
Glass Rack Dolly



Optional  
Glass Rack Dolly Handle  
(Assembly Required)  
**RA-14**

Item #:	_____	Qty #:	_____
Model #:	_____		
Project #:	_____		

**FEATURES:**

**BUN PAN DOLLY:**

Heavy duty welded construction. Holds 60 full size pans. 3" bolted plate casters. 600 lbs. weight capacity.

**PAN TRUCK:**

Curved top design. Heavy duty welded construction. Holds 60 full size pans. 3" bolted plate casters. 600 lbs. weight capacity.

**GLASS RACK DOLLY:**

Heavy duty welded construction. 3" bolted plate casters. 600 lbs. weight capacity.

**CONSTRUCTION:**

Fully welded construction.

**MATERIAL:**

Heavy duty gauge aluminum plate, 6063-T52 extruded upright tubing (PD-1).

MODEL #	Wt.	Qty
BPD-1 Bun Pan Dolly	15 lbs.	
GRD-1 Glass Rack Dolly	14 lbs.	
PD-1 - Pan Truck	20 lbs.	

Accessory	Model #	Qty
Glass Rack Dolly Handle	<b>RA-14</b>	



Customer Service Available To Assist You **1-800-645-3166** 8:30 am - 8:00 pm E.S.T.

For Orders & Customer Service:  
Email: [customer@advancetabco.com](mailto:customer@advancetabco.com) or Fax: 631-242-6900

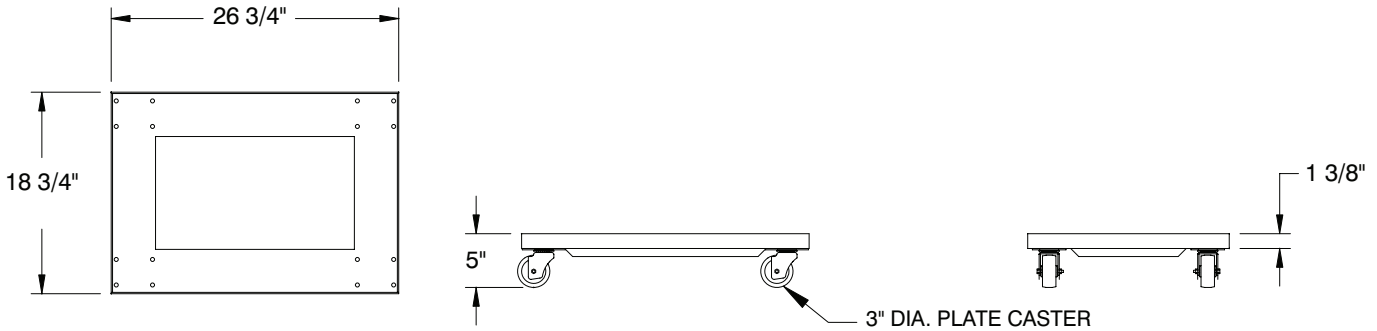
For Smart Fabrication™ Quotes:  
Email: [smartfab@advancetabco.com](mailto:smartfab@advancetabco.com) or Fax: 631-586-2933

# DIMENSIONS and SPECIFICATIONS

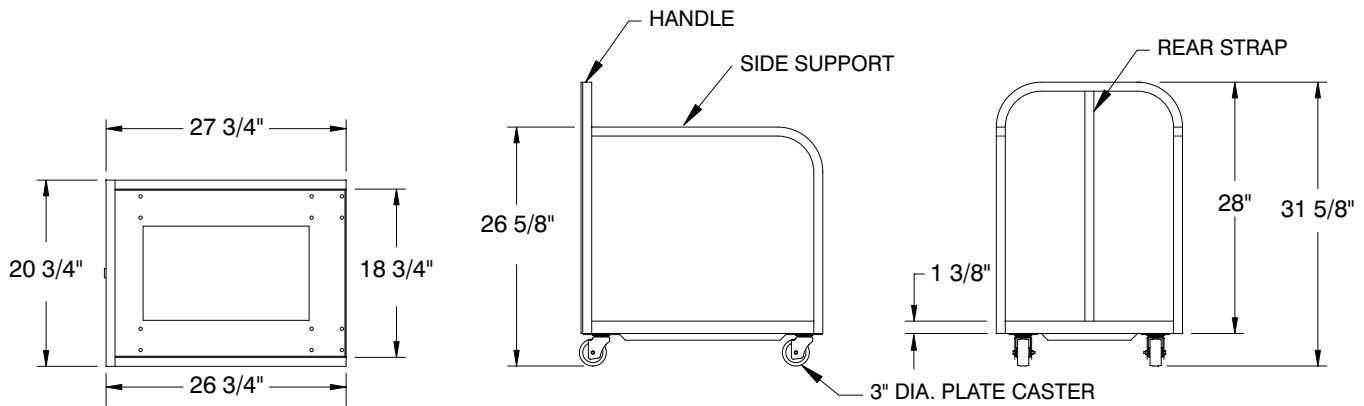
TOL ± .500"

ALL DIMENSIONS ARE TYPICAL

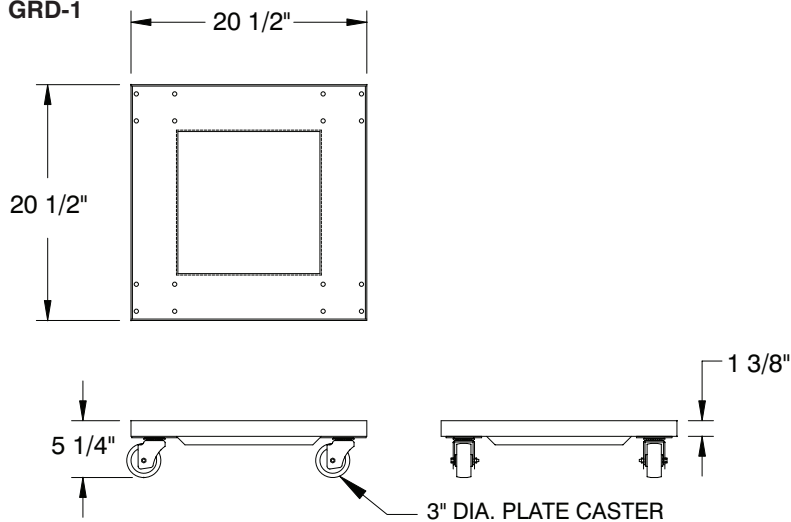
## BPD-1



## PD-1



## GRD-1



## Optional Glass Rack Dolly Handle (Assembly Required) RA-14

