

# CAFETERIA FOOD SHIELDS WITH STAINLESS STEEL SHELF OR GLASS TOP

## Cafeteria Food Shield with Stainless Steel Shelf



Maximum Glass Opening is 1-1/2" From Table to Bottom of Glass  
(shown with 1" Anodized Aluminum Posts)

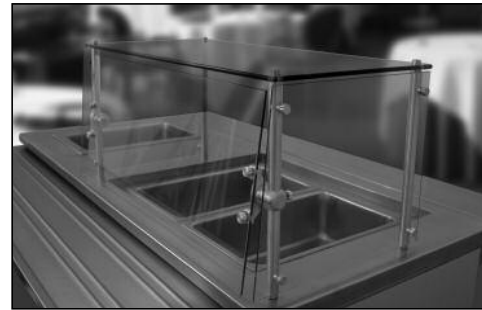


Advance Tabco's Revolutionary  
"Chamber Lock™" System  
makes rotating food shields  
easier than ever



Meets Latest  
NSF Standards

## Cafeteria Food Shield with Glass Top



Maximum Glass Opening is 1-1/2" From Table to Bottom of Glass  
Max. load for Top Glass is 100 lbs. even distributed wt.  
(shown with 1" Anodized Aluminum Posts)

### FEATURES:

- Front glass locks in place at 15° intervals.
- Attractive, low profile design & Easy to clean.
- Available with 1" solid anodized aluminum posts or 1-5/8" stainless steel posts (please specify).
- Chamber lock™ is mounted to post in a fixed position.
- Includes Two 18" Wide x 15-3/8" High .
- 1/4" Heat-Tempered Glass Front & Sides.
- Includes:
- Stainless Steel Shelving Available In 12", 15" or 18" Widths.
- Shelves have two rolled edges on front & rear and square edges on left & right sides.

### CONSTRUCTION:

- All TIG welded.
- Exposed stainless steel surfaces polished to a satin finish.

### Glass Unit Features Above Plus:

- 3/8" Heat-Tempered Glass Top.

### MATERIAL:

- 1/4" Thick Heat-Tempered Side Glass.
- 3/8" Thick Heat-Tempered Top Glass (GSG Model).
- Shelf - 18 Ga., Type 430 Stainless Steel.
- 1" Posts - Solid Anodized Aluminum.
- 1-5/8" Post - Stainless Steel.
- Chamber Lock™ - Anodized Aluminum.
- Finish - Aluminum components manufactured with a standard Satin Clear Finish. Other colors available for Aluminum Components Only. Please consult factory for additional colors.

**NOTE: Food Shield Glass Cannot  
Exceed 48" Length Per Food Shield**

### Single Tier with Stainless Steel Shelf

Length (L)	12" Wide (305mm)	15" Wide (381mm)	18" Wide (457mm)	Approx. Wt.	Approx. Cubes
36"	NSGC-12-36	NSGC-15-36	NSGC-18-36	43 lbs.	3
48"	NSGC-12-48	NSGC-15-48	NSGC-18-48	49 lbs.	4
60"	NSGC-12-60	NSGC-15-60	NSGC-18-60	56 lbs.	6
72"	NSGC-12-72	NSGC-15-72	NSGC-18-72	64 lbs.	7
84"	NSGC-12-84	NSGC-15-84	NSGC-18-84	72 lbs.	8
96"	NSGC-12-96	NSGC-15-96	NSGC-18-96	80 lbs.	9
108"	NSGC-12-108	NSGC-15-108	NSGC-18-108	90 lbs.	10
120"	NSGC-12-120	NSGC-15-120	NSGC-18-120	103 lbs.	11
132"	NSGC-12-132	NSGC-15-132	NSGC-18-132	116 lbs.	12
144"	NSGC-12-144	NSGC-15-144	NSGC-18-144	132 lbs.	13

### Single Tier with Glass Top

Length (L)	12" Wide (305mm)	15" Wide (381mm)	18" Wide (457mm)	Approx. Wt.	Approx. Cubes
36"	GSGC-12-36	GSGC-15-36	GSGC-18-36	52 lbs.	3
48"	GSGC-12-48	GSGC-15-48	GSGC-18-48	64 lbs.	4
60"	GSGC-12-60	GSGC-15-60	GSGC-18-60	72 lbs.	6
72"	GSGC-12-72	GSGC-15-72	GSGC-18-72	84 lbs.	7
84"	GSGC-12-84	GSGC-15-84	GSGC-18-84	96 lbs.	8
96"	GSGC-12-96	GSGC-15-96	GSGC-18-96	110 lbs.	9
108"	GSGC-12-108	GSGC-15-108	GSGC-18-108	122 lbs.	10
120"	GSGC-12-120	GSGC-15-120	GSGC-18-120	135 lbs.	11
132"	GSGC-12-132	GSGC-15-132	GSGC-18-132	150 lbs.	12
144"	GSGC-12-144	GSGC-15-144	GSGC-18-144	165 lbs.	13

Consult Factory for Heat Lamp Modification when mounting to Glass Top Food Shields

### Need a Shield on Both Sides?

Additional Food Shield Glass Can Be Added  
To Make Double Sided Serving Units

Please Use:

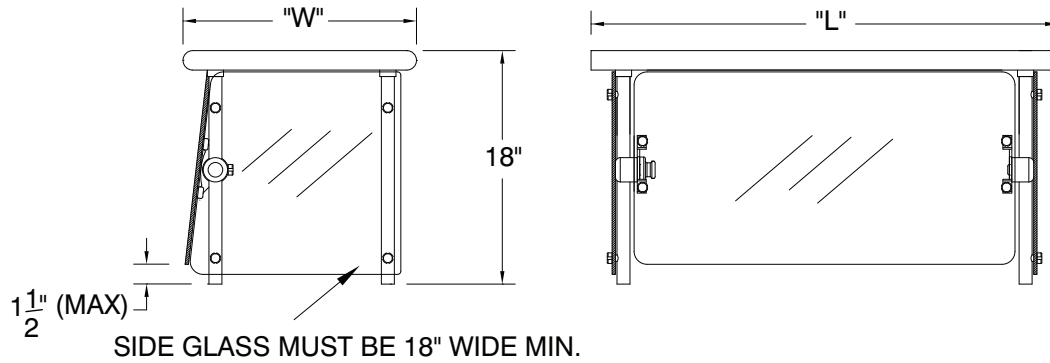
SSF-1 Self Service Units per lin. ft.  
CFS-1 Cafeteria Units per lin. ft.

# DETAILS and SPECIFICATIONS

TOL ± .500"

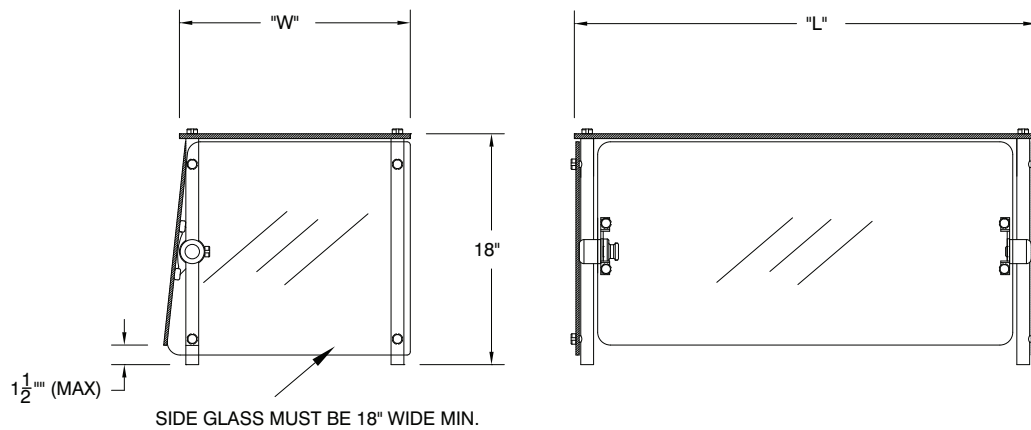
ALL DIMENSIONS ARE TYPICAL

## NSGC SERIES SINGLE TIER with Stainless Steel Shelf



Maximum Front Glass Opening is 13" From Table to Bottom of Glass

## GSGC SERIES SINGLE TIER with Glass Top



Maximum Front Glass Opening is 13" From Table to Bottom of Glass  
Max. load for Top Glass is 100 lbs. even distributed weight

