

PROFESSIONAL 5" BACKSPASH ENCLOSED BASE CHEF TABLES

Features:

- 14 Gauge, Type 304 Stainless Steel top
- 35" standard counter height
- Bull nose edge on front, square edge on sides
- 5" backsplash
- Fixed stainless steel midshelf (Midshelf must be modified for sink installation)
- Hinged doors*
- Stainless steel legs & adjustable bullet feet
- Custom Sizes Available

*4 Ft. & 5 Ft. Models Come with Two Hinged Doors
6 Ft. Models Come with Four Hinged Doors
8 Ft. Models Come with Four Hinged Doors & 3 Sets of Legs

**Optional
Integral Sinks Available**
(Midshelf must be modified for sink installation)



Bull Nose Edge on Front
& Square Side Edges

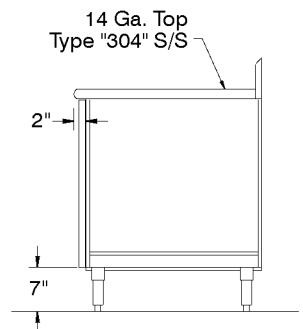
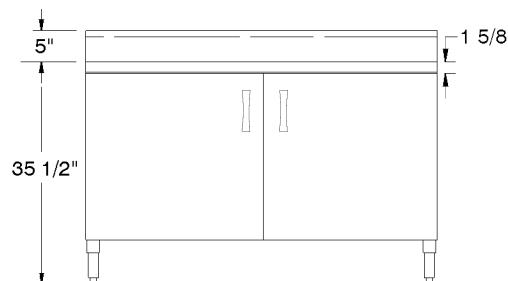
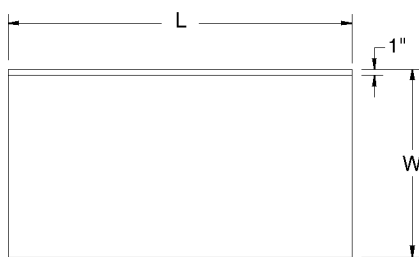


Rear View of Unit Shown

| 24" Wide (W) Model | Approx. Wt. | 30" Wide (W) Model | Approx. Wt. | Table Length (L) |
|-----------------------|----------------|-----------------------|----------------|---------------------|
| HK-SS-244MRE | 270 lbs. | HK-SS-304MRE | 295 lbs. | 48" |
| HK-SS-245MRE | 310 lbs. | HK-SS-305MRE | 335 lbs. | 60" |
| HK-SS-246MRE | 355 lbs. | HK-SS-306MRE | 375 lbs. | 72" |
| HK-SS-248MRE | 445 lbs. | HK-SS-308MRE | 460 lbs. | 96" |

To omit midshelf, use model OMIT-SHRE

Drawers not available on Enclosed Base Chef Tables



Professional Stainless Steel Products For Your Home

Toll Free Phone: 866-799-0106 • Toll Free Fax: 866-799-0249

www.alinebyadvancetabco.com