

## PROFESSIONAL STAINLESS STEEL CHEF ISLAND BASES

**Features:**

- 18 Gauge, Type 304 Stainless Steel Base
- Unit allows any solid surface material to be mounted to base (Top supplied by others)
- Hinged doors\*
- Fixed stainless steel midshelf†
- Stainless steel legs & adjustable bullet feet
- Custom Sizes Available

\*4 Ft. & 5 Ft. Models Come with Two Hinged Doors

6 Ft. Models Come with Four Hinged Doors

8 Ft. Models Come with Four Hinged Doors & 3 Sets of Legs



Rear View of Unit Shown

### 24" WIDE CHEF ISLAND BASE

Model	Approx. Wt.	Table Length L x W
IB-SS-244MRE	270 lbs.	48"x24"
IB-SS-245MRE	310 lbs.	60"x24"
IB-SS-246MRE	355 lbs.	72"x24"
IB-SS-248MRE	445 lbs.	96"x24"

### 30" WIDE CHEF ISLAND BASE

Model	Approx. Wt.	Table Length L x W
IB-SS-304MRE	295 lbs.	48"x30"
IB-SS-305MRE	335 lbs.	60"x30"
IB-SS-306MRE	375 lbs.	72"x30"
IB-SS-308MRE	460 lbs.	96"x30"

### 36" WIDE CHEF ISLAND BASE

Model	Approx. Wt.	Table Length L x W
IB-SS-364MRE	330 lbs.	48"x36"
IB-SS-365MRE	370 lbs.	60"x36"
IB-SS-366MRE	415 lbs.	72"x36"
IB-SS-368MRE	500 lbs.	96"x36"

### OPTIONAL PASS-THRU DOORS

This option will add a set of additional doors, allowing access from both sides of the island

Model	# of Doors	Chef Island Length
PTD-4RE	2	For 48" Long Chef Islands
PTD-5RE	2	For 60" Long Chef Islands
PTD-6RE	4	For 72" Long Chef Islands
PTD-8RE	4	For 96" Long Chef Islands

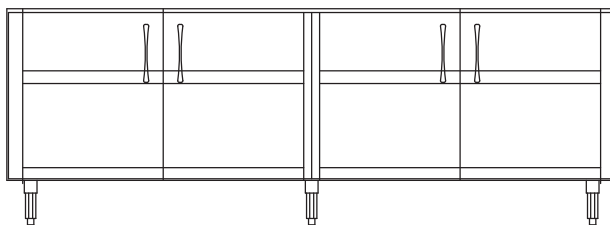
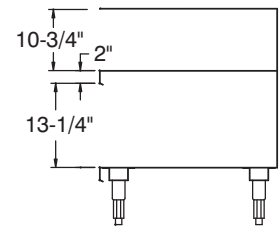
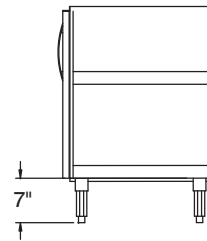
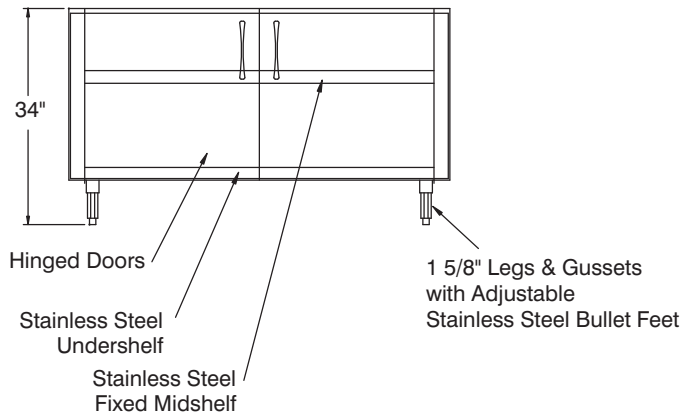
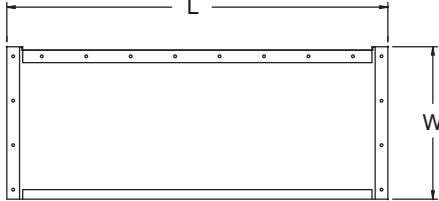
**P**rofessional Stainless Steel Products For Your Home

Toll Free Phone: 866-799-0106 • Toll Free Fax: 866-799-0249

www.alinebyadvancetabco.com

KaTom Restaurant Supply, Inc.

## PROFESSIONAL STAINLESS STEEL CHEF ISLAND BASES



8 Ft. Unit Shown

8 Ft. Models Provided with Four Hinged Doors & 3 Sets of Legs

Toll Free Phone: 866-799-0106 • Toll Free Fax: 866-799-0249

[www.alinebyadvancetabco.com](http://www.alinebyadvancetabco.com)

ADVANCE TABCO is constantly engaged in a program of improving our products. Therefore, we reserve the right to change specifications without prior notice.

© ADVANCE TABCO, MARCH 2008

KaTom Restaurant Supply, Inc.